



ALTEX[®]

SunProject[™]

line of products

ROLLER SHADING SYSTEMS

LITE-LIFT[®] **ELEKTRA**

 **MODULINE**[®] system

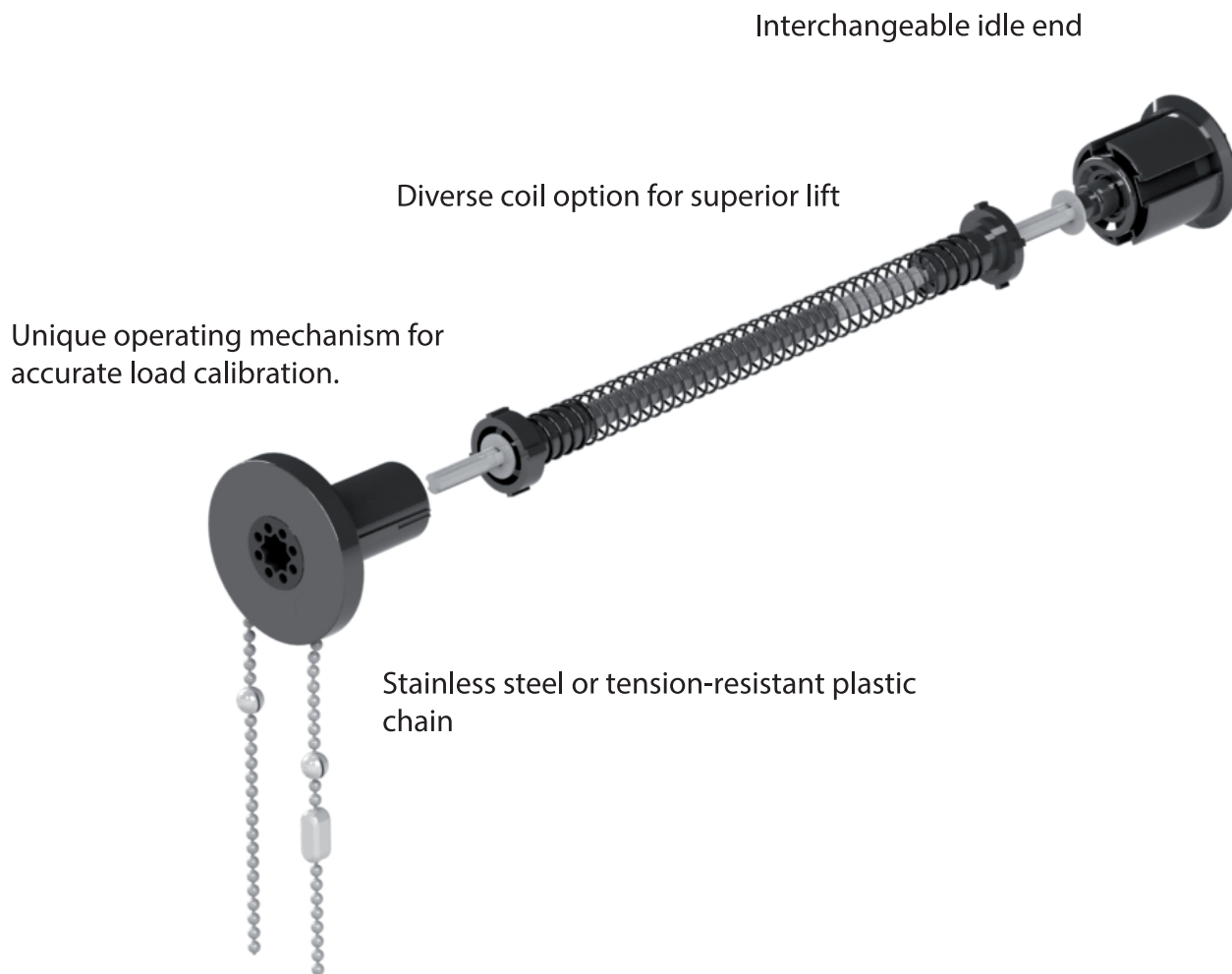
PRODUCT OVERVIEW

Our SunProject Chain Operated Shades Feature **Lite[®]Lift** a smooth state of the art easy lift activated mechanism.

- **Lite-Lift[®]** provides a smooth constant effortless lift of all shades with finger tip control.
- **Lite-Lift[®]** alleviates stress on the chain and avoids chain breakage (Major cause of maintenance associated with chain operated shades).
- **Shade can be pulled down by the bottom bar** (without stripping or damaging the mechanism) without having to pull from the chain.

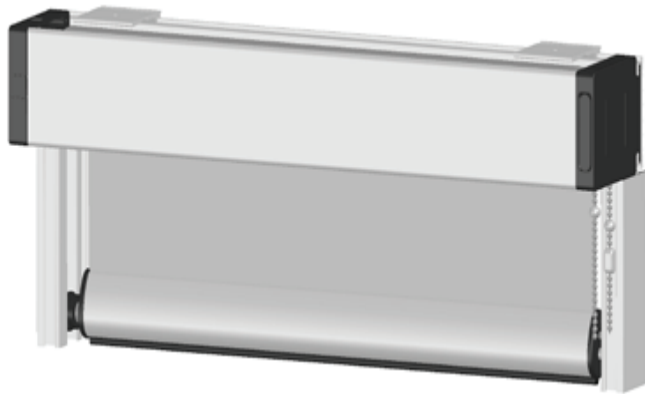
Shade mechanism cannot be stripped or damaged!

Virtually lasts forever. **Durable - Heavy use design**, important in commercial applications where products are subject to abuse.





MODULINE[®]
LITE-LIFT[®] | **CHAIN OPERATED**
WITH OR WITHOUT FASCIA 85, 105
SHADE HOLDER: STANDARD



MODULINE[®]
LITE-LIFT[®] | **CHAIN OPERATED**
WITH OR WITHOUT FASCIA 85, 105
SHADE HOLDER: STANDARD
CHANNEL : ST-3



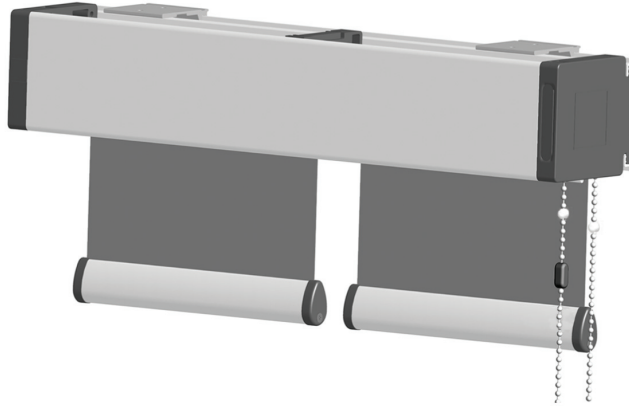
MODULINE[®]
LITE-LIFT[®] | **CHAIN OPERATED**
WITH OR WITHOUT FASCIA 85, 105,
SHADE HOLDER: STANDARD
CHANNEL: T-460



ALTEX[®]
SunProject™
line of products

MODULINE[®] LITE-LIFT[®] TANDEM 85, 105

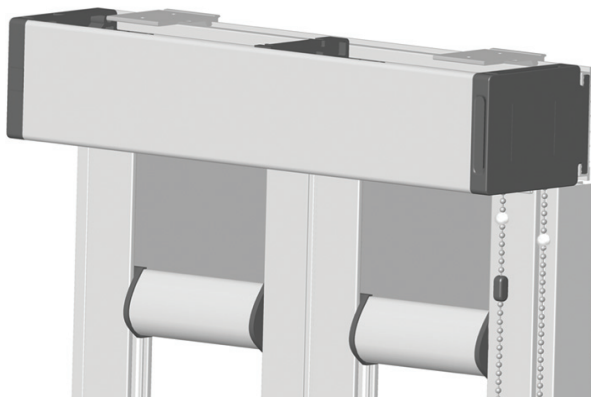
CHAIN OPERATED SHADING SYSTEMS



MODULINE[®]
LITE-LIFT[®] CHAIN OPERATED
WITH OR WITHOUT **FASCIA 85, 105**
SHADE HOLDER: **STANDARD**

MULTIBANDS AVAILABLE IN:

2B 3B



MODULINE[®]
LITE-LIFT[®] CHAIN OPERATED
WITH OR WITHOUT **FASCIA 85, 105**
SHADE HOLDER: **STANDARD**
CHANNEL: **T-460**

MULTIBANDS AVAILABLE IN:

2B 3B



ALTEX[®]
SunProject™
line of products

MODULINE[®] LITE-LIFT[®] DUAL 140

CHAIN OPERATED SHADING SYSTEMS

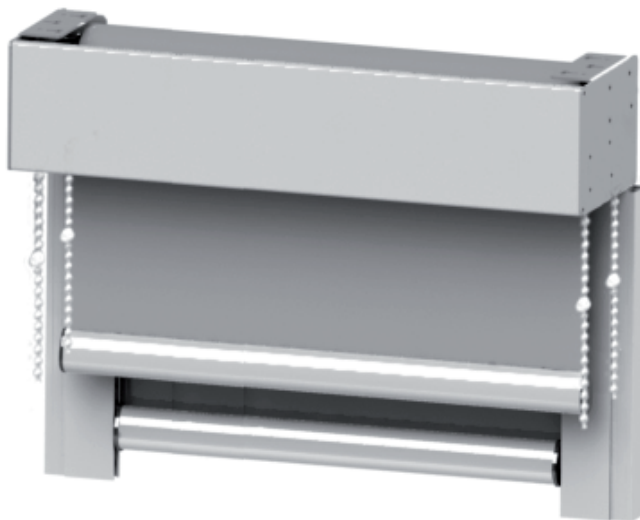


MODULINE[®]

LITE-LIFT[®] CHAIN OPERATED

WITH OR WITHOUT **FASCIA 140**

SHADE HOLDER: **N/A**



MODULINE[®]

LITE-LIFT[®] CHAIN OPERATED

WITH OR WITHOUT **FASCIA 140**

SHADE HOLDER: **N/A**

CHANNEL: **T-460**

ELEKTRA ULTRA QUIET (UQM) 24VDC / 120VAC

Motors are rated for quietness at 44 dBA making them a preferable choice. Fully integrated electronics inside the motor adds additional benefit to the trouble free operation of the shade. LOW VOLTAGE 24VDC motors are powered via transformer available in a plug-in or hardwired type, providing flexibility of wiring options.

120V motors are available with “3 PRONG PLUG” that can be connected directly to 120 power outlets or with “QUICK CONNECTOR” that allows pre-wiring of shades and allows for ease of installation while maintaining cost effectiveness of the project.

All motors come with variety of control options ranging between standalone traditional hardwired switches, RTS (Radio Control) or RS485 with its built in INTELLIGENT MOTOR control options

ELEKTRA RTS 24VDC / 120VAC

RTS radio technology allows motors to be controlled remotely via a comprehensive range of radio handheld remote controls, “Wire-Free” wall switches and timers. Home Automation integration and a broad variety of RTS interfaces are available. Effective progressive communication protocol used by the RTS motors, allows shade programming, grouping achievable with ease.

ELEKTRA RS485 24VDC / 120VAC

RS485 INTELLIGENT motor offers the following functions:
Intelligent 2-way communication, Unique network address for selective control of individual motors, communication via industry standard RS-485 network, individual or group control with 16 customizable pre-set positions, simple to integrate with third party automation systems via dry contact, IR, RTS radio technology, RS-485 or Z-wave.

Easily add RS485 motors and smart controls to meet changing application requirements.
Near silent motors operation at 44 dBA.



ALTEX[®]
SunProject™
line of products

MODULINE[®] ELEKTRA 85 ULTRA QUIET -24VDC
UQM 30 RTS / UQM 30 RS485 MOTOR OPERATED ROLLER SYSTEMS



MODULINE[®]	
ELEKTRA	ULTRA QUIET MOTOR
WITH OR WITHOUT FASCIA 85, 105	
SHADE HOLDER: STANDARD	
MOTOR TYPE:	UQM 30 RTS - 24VDC
	UQM 30 RS485 - 24VDC



MODULINE[®]	
ELEKTRA	ULTRA QUIET MOTOR
WITH OR WITHOUT FASCIA 85, 105	
SHADE HOLDER: STANDARD	
CHANNEL: ST-3	
MOTOR TYPE:	UQM 30 RTS - 24VDC
	UQM 30 RS485 - 24VDC



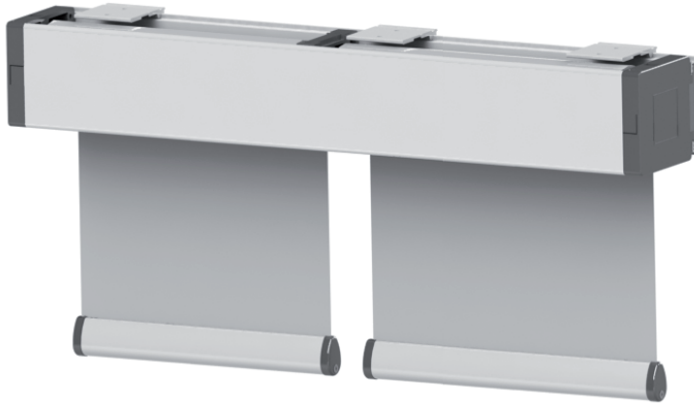
MODULINE[®]	
ELEKTRA	ULTRA QUIET MOTOR
WITH OR WITHOUT FASCIA 85, 105	
SHADE HOLDER: STANDARD	
CHANNEL: T-460	
MOTOR TYPE:	UQM 30 RTS - 24VDC
	UQM 30 RS485 - 24VDC



ALTEX[®]
SunProject™
line of products

MODULINE[®] ELEKTRA TANDEM 85, 105 ULTRA QUIET - 24VDC

UQM 30 RTS / UQM 30 RS485 MOTOR OPERATED ROLLER SYSTEMS



MODULINE [®]	
ELEKTRA	ULTRA QUIET MOTOR
WITH OR WITHOUT FASCIA 85, 105	
SHADE HOLDER: STANDARD	
MOTOR TYPE:	UQM 30 RTS - 24VDC
	UQM 30 RS485 - 24VDC

MULTIBANDS AVAILABLE IN:

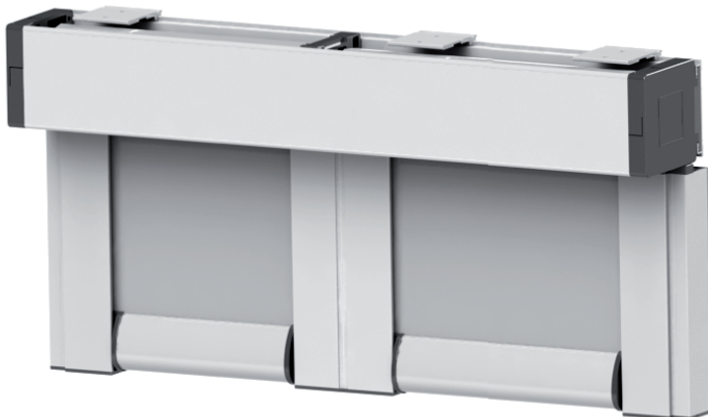
2B 3B



MODULINE [®]	
ELEKTRA	ULTRA QUIET MOTOR
WITH OR WITHOUT FASCIA 85, 105	
SHADE HOLDER: STANDARD	
CHANNEL: ST-3	
MOTOR TYPE:	UQM 30 RTS - 24VDC
	UQM 30 RS485 - 24VDC

MULTIBANDS AVAILABLE IN:

2B 3B



MODULINE [®]	
ELEKTRA	ULTRA QUIET MOTOR
WITH OR WITHOUT FASCIA 85, 105	
SHADE HOLDER: STANDARD	
CHANNEL: T-460	
MOTOR TYPE:	UQM 30 RTS - 24VDC
	UQM 30 RS485 - 24VDC

MULTIBANDS AVAILABLE IN:

2B 3B



ALTEX[®]
SunProject™
line of products

MODULINE[®] ELEKTRA 85,105 ULTRA QUIET-120VAC UQM 40/ UQM 40 RTS MOTOR OPERATED ROLLER SYSTEMS



MODULINE [®]	
ELEKTRA	ULTRA QUIET MOTOR
WITH OR WITHOUT FASCIA 85, 105	
SHADE HOLDER: STANDARD	
MOTOR TYPE:	UQM 40 - 120VAC
	UQM 40 RTS - 120VAC



MODULINE [®]	
ELEKTRA	ULTRA QUIET MOTOR
WITH OR WITHOUT FASCIA 85, 105	
SHADE HOLDER: STANDARD	
CHANNEL: ST-3	
MOTOR TYPE:	UQM 40 - 120VAC
	UQM 40 RTS - 120VAC

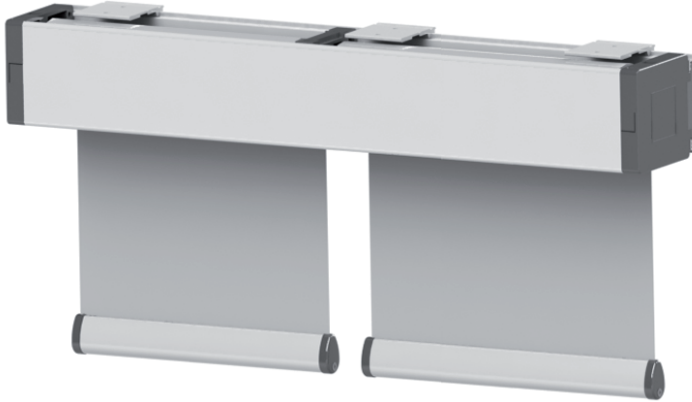


MODULINE [®]	
ELEKTRA	ULTRA QUIET MOTOR
WITH OR WITHOUT FASCIA 85, 105	
SHADE HOLDER: STANDARD	
CHANNEL: T-460	
MOTOR TYPE:	UQM 40 - 120VAC
	UQM 40 RTS - 120VAC



ALTEX[®]
SunProject™
line of products

MODULINE[®] ELEKTRA TANDEM 85,105 ULTRA QUIET -120VAC
UQM 40/ UQM 40 RTS MOTOR OPERATED ROLLER SYSTEMS



MODULINE[®]	
ELEKTRA	ULTRA QUIET MOTOR
WITH OR WITHOUT FASCIA 85, 105	
SHADE HOLDER: STANDARD	
MOTOR TYPE:	UQM 40 - 120VAC
	UQM 40 RTS - 120VAC

MULTIBANDS AVAILABLE IN:

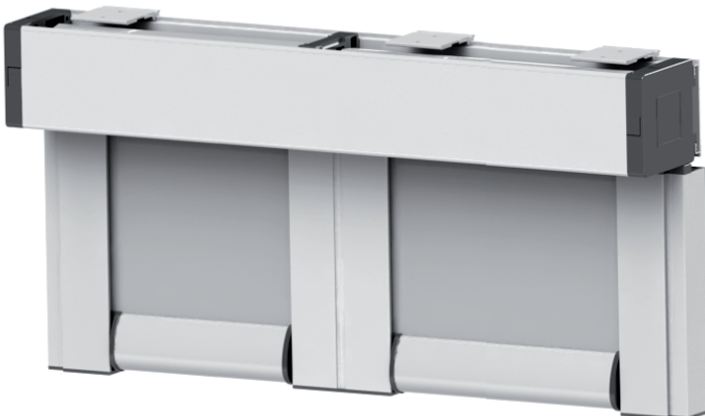
- 2B
- 3B
- 4B



MODULINE[®]	
ELEKTRA	ULTRA QUIET MOTOR
WITH OR WITHOUT FASCIA 85, 105	
SHADE HOLDER: STANDARD	
CHANNEL: ST-3	
MOTOR TYPE:	UQM 40 - 120VAC
	UQM 40 RTS - 120VAC

MULTIBANDS AVAILABLE IN:

- 2B
- 3B
- 4B



MODULINE[®]	
ELEKTRA	ULTRA QUIET MOTOR
WITH OR WITHOUT FASCIA 85, 105	
SHADE HOLDER: STANDARD	
CHANNEL: T-460	
MOTOR TYPE:	UQM 40 - 120VAC
	UQM 40 RTS - 120VAC

MULTIBANDS AVAILABLE IN:

- 2B
- 3B
- 4B



ALTEX[®]
SunProject™
line of products

MODULINE[®] ELEKTRA 105 ULTRA QUIET -120VAC
UQM 50/ UQM 50 RTS / UQM 50 RS485 MOTOR OPERATED ROLLER SYSTEMS



MODULINE[®]	
ELEKTRA	ULTRA QUIET MOTOR
WITH OR WITHOUT FASCIA 85, 105	
SHADE HOLDER: STANDARD	
MOTOR TYPE:	UQM 50 - 120VAC
	UQM 50 RTS - 120VAC
	UQM 50 RS485 - 120VAC



MODULINE[®]	
ELEKTRA	ULTRA QUIET MOTOR
WITH OR WITHOUT FASCIA 85, 105	
SHADE HOLDER: STANDARD	
CHANNEL: ST-3	
MOTOR TYPE:	UQM 50 - 120VAC
	UQM 50 RTS - 120VAC
	UQM 50 RS485 - 120VAC



MODULINE[®]	
ELEKTRA	ULTRA QUIET MOTOR
WITH OR WITHOUT FASCIA 85, 105	
SHADE HOLDER: STANDARD	
CHANNEL: T-460	
MOTOR TYPE:	UQM 50 - 120VAC
	UQM 50 RTS - 120VAC
	UQM 50 RS485 - 120VAC



ALTEX[®]
SunProject™
line of products

MODULINE[®] ELEKTRA 105 -120VAC E-50 / E-50 RTS / E-50 RS485 MOTOR OPERATED ROLLER SYSTEMS



MODULINE [®]	
ELEKTRA	REGULAR MOTOR
WITH OR WITHOUT FASCIA 105	
SHADE HOLDER: STANDARD	
MOTOR TYPE:	E- 50 - 120VAC
	E- 50 RTS - 120VAC
	E- 50 RS485 - 120VAC



MODULINE [®]	
ELEKTRA	REGULAR MOTOR
WITH OR WITHOUT FASCIA 105	
SHADE HOLDER: STANDARD	
CHANNEL: ST-3	
MOTOR TYPE:	E- 50 - 120VAC
	E- 50 RTS - 120VAC
	E- 50 RS485 - 120VAC

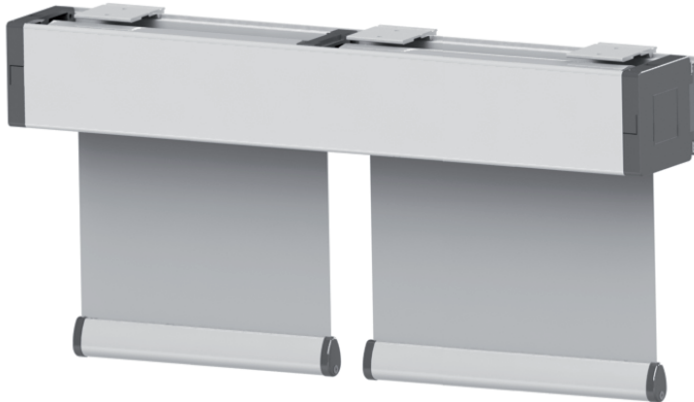


MODULINE [®]	
ELEKTRA	REGULAR MOTOR
WITH OR WITHOUT FASCIA 105	
SHADE HOLDER: STANDARD	
CHANNEL: T-460	
MOTOR TYPE:	E- 50 - 120VAC
	E- 50 RTS - 120VAC
	E- 50 RS485 - 120VAC



ALTEX[®]
SunProject™
line of products

MODULINE[®] ELEKTRA TANDEM 105 -120VAC E-50 / E-50 RTS / E-50 RS485 MOTOR OPERATED ROLLER SYSTEMS



MODULINE [®]	
ELEKTRA	REGULAR MOTOR
WITH OR WITHOUT FASCIA 105	
SHADE HOLDER: STANDARD	
MOTOR TYPE:	E- 50 - 120VAC
	E- 50 RTS - 120VAC
	E- 50 RS485 - 120VAC

MULTIBANDS AVAILABLE IN:

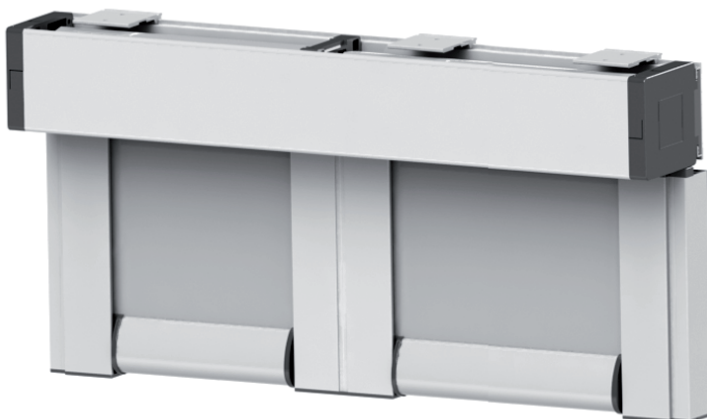
2B 3B 4B



MODULINE [®]	
ELEKTRA	REGULAR MOTOR
WITH OR WITHOUT FASCIA 105	
SHADE HOLDER: STANDARD	
CHANNEL: ST-3	
MOTOR TYPE:	E- 50 - 120VAC
	E- 50 RTS - 120VAC
	E- 50 RS485 - 120VAC

MULTIBANDS AVAILABLE IN:

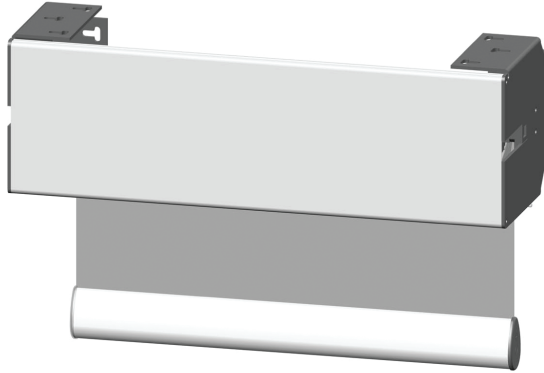
2B 3B 4B



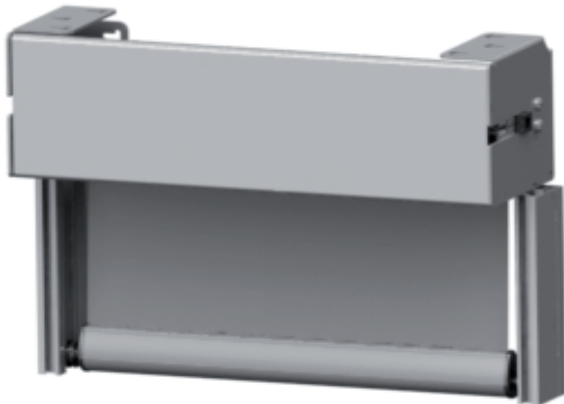
MODULINE [®]	
ELEKTRA	REGULAR MOTOR
WITH OR WITHOUT FASCIA 105	
SHADE HOLDER: STANDARD	
CHANNEL: T-460	
MOTOR TYPE:	E- 50 - 120VAC
	E- 50 RTS - 120VAC
	E- 50 RS485 - 120VAC

MULTIBANDS AVAILABLE IN:

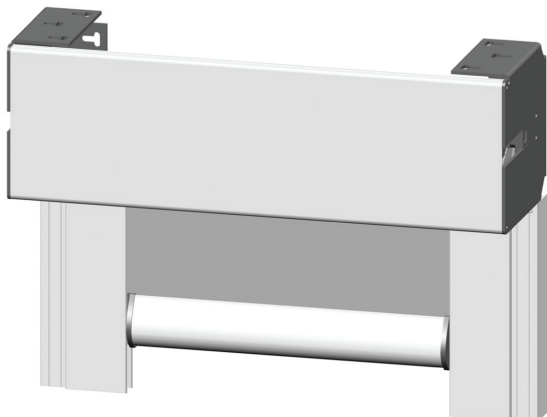
2B 3B 4B



MODULINE [®]	
ELEKTRA	REGULAR MOTOR
WITH OR WITHOUT FASCIA 140	
SHADE HOLDER: N/A	
MOTOR TYPE:	E- 50 - 120VAC
	E- 50 RTS - 120VAC
	E- 50 RS485 - 120VAC



MODULINE [®]	
ELEKTRA	REGULAR MOTOR
WITH OR WITHOUT FASCIA 140	
SHADE HOLDER: N/A	
CHANNEL: ST-3	
MOTOR TYPE:	E- 50 - 120VAC
	E- 50 RTS - 120VAC
	E- 50 RS485 - 120VAC



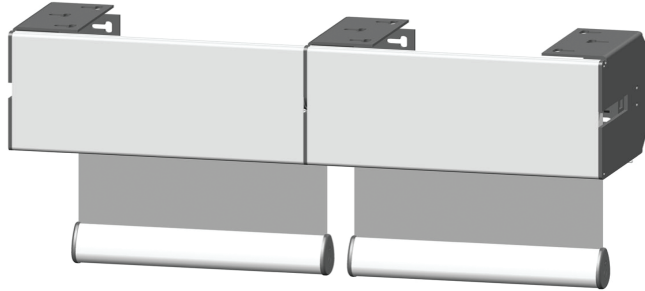
MODULINE [®]	
ELEKTRA	REGULAR MOTOR
WITH OR WITHOUT FASCIA 140	
SHADE HOLDER: N/A	
CHANNEL: T-480	
MOTOR TYPE:	E- 50 - 120VAC
	E- 50 RTS - 120VAC
	E- 50 RS485 - 120VAC



ALTEX[®]
SunProject™
line of products

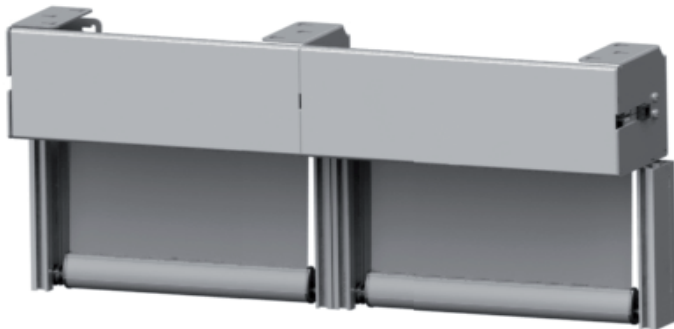
MODULINE[®] ELEKTRA TANDEM 140 -120VAC

E-50 / E-50 RTS / E-50 RS485 MOTOR OPERATED ROLLER SYSTEMS



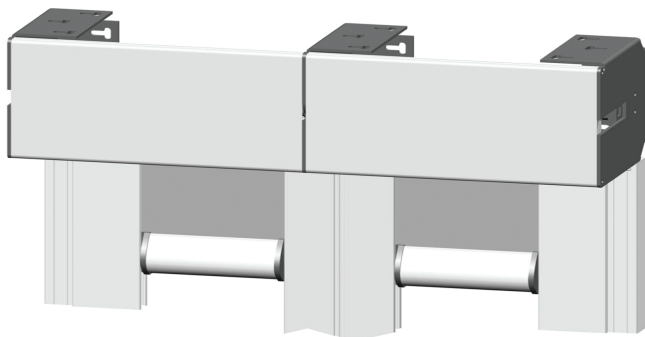
MODULINE [®]	
ELEKTRA	REGULAR MOTOR
WITH OR WITHOUT FASCIA 140	
SHADE HOLDER: N/A	
MOTOR TYPE:	E- 50 - 120VAC
	E- 50 RTS - 120VAC
	E- 50 RS485 - 120VAC

MULTIBANDS AVAILABLE IN: 2B 3B 4B



MODULINE [®]	
ELEKTRA	REGULAR MOTOR
WITH OR WITHOUT FASCIA 140	
SHADE HOLDER: N/A	
CHANNEL: ST-3	
MOTOR TYPE:	E- 50 - 120VAC
	E- 50 RTS - 120VAC
	E- 50 RS485 - 120VAC

MULTIBANDS AVAILABLE IN: 2B 3B 4B

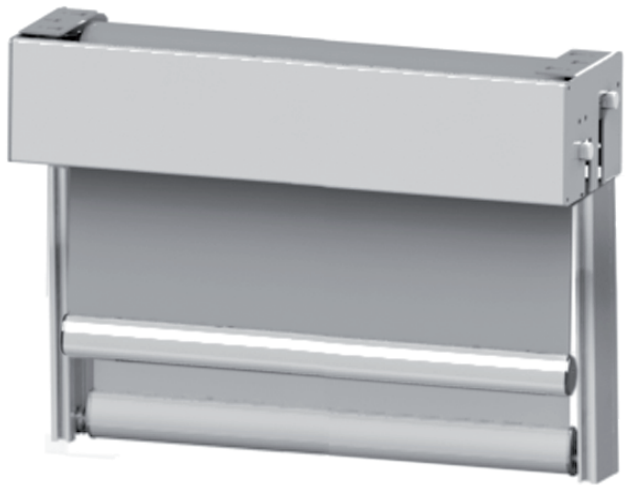


MODULINE [®]	
ELEKTRA	REGULAR MOTOR
WITH OR WITHOUT FASCIA 140	
SHADE HOLDER: N/A	
CHANNEL: T-480	
MOTOR TYPE:	E- 50 - 120VAC
	E- 50 RTS - 120VAC
	E- 50 RS485 - 120VAC

MULTIBANDS AVAILABLE IN: 2B 3B 4B



MODULINE[®]	
ELEKTRA	REGULAR MOTOR
WITH OR WITHOUT FASCIA 140	
SHADE HOLDER: N/A	
MOTOR TYPE:	E- 50 - 120VAC
	E- 50 RTS - 120VAC
	E- 50 RS485 - 120VAC



MODULINE[®]	
ELEKTRA	REGULAR MOTOR
WITH OR WITHOUT FASCIA 140	
SHADE HOLDER: N/A	
CHANNEL: ST-3	
MOTOR TYPE:	E- 50 - 120VAC
	E- 50 RTS - 120VAC
	E- 50 RS485 - 120VAC



MODULINE[®]	
ELEKTRA	REGULAR MOTOR
WITH OR WITHOUT FASCIA 140	
SHADE HOLDER: N/A	
CHANNEL: T-480	
MOTOR TYPE:	E- 50 - 120VAC
	E- 50 RTS - 120VAC
	E- 50 RS485 - 120VAC



ALTEX[®]
SunProject™
line of products

MODULINE[®] ELEKTRA DUAL TANDEM 140 -120VAC

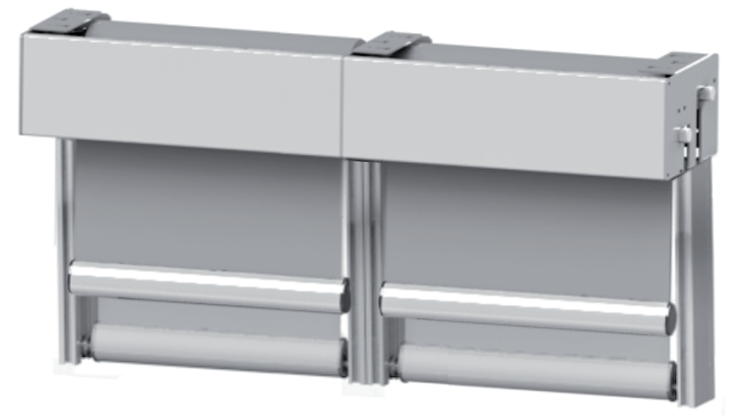
E-50 / E-50 RTS / E-50 RS485 MOTOR OPERATED ROLLER SYSTEMS



MODULINE [®]	
ELEKTRA	REGULAR MOTOR
WITH OR WITHOUT FASCIA 140	
SHADE HOLDER: N/A	
MOTOR TYPE:	E- 50 - 120VAC
	E- 50 RTS - 120VAC
	E- 50 RS485 - 120VAC

MULTIBANDS AVAILABLE IN:

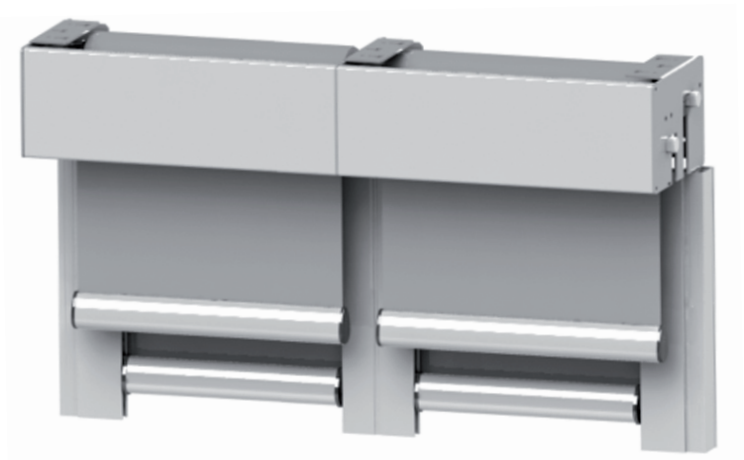
- 2B
- 3B
- 4B



MODULINE [®]	
ELEKTRA	REGULAR MOTOR
WITH OR WITHOUT FASCIA 140	
SHADE HOLDER: N/A	
CHANNEL: ST-3	
MOTOR TYPE:	E- 50 - 120VAC
	E- 50 RTS - 120VAC
	E- 50 RS485 - 120VAC

MULTIBANDS AVAILABLE IN:

- 2B
- 3B
- 4B



MODULINE [®]	
ELEKTRA	REGULAR MOTOR
WITH OR WITHOUT FASCIA 140	
SHADE HOLDER: N/A	
CHANNEL: T-480	
MOTOR TYPE:	E- 50 - 120VAC
	E- 50 RTS - 120VAC
	E- 50 RS485 - 120VAC

MULTIBANDS AVAILABLE IN:

- 2B
- 3B
- 4B



ALTEX[®]

SunProject[™]
line of products

MONTREAL

3530, boul. des Entreprises

Terrebonne (Québec)

Canada J6X 4J8

Phone: 450-968-0880

Toll free: 800-363-5930

TORONTO

500 Applewood Crescent

Vaughan, Ontario

Canada L4K 4B4

Phone: 905-660-3117

Toll free: 888-836-6980

VANCOUVER

1160-21331 Gordon Way

Richmond, British Columbia

Canada V6W 1J9

Phone: 604-980-9899

Toll free: 888-980-9899



ALTEX[®]

SunProject[™]
line of products

ROLLER SHADING SYSTEMS

LITE-LIFT[®] **ELEKTRA**

 **MODULINE**[®] system

TECHNICAL SECTION



ALTEX[®]

SunProject™
line of products

MODULINE[®] LITE-LIFT[®] 85, 105

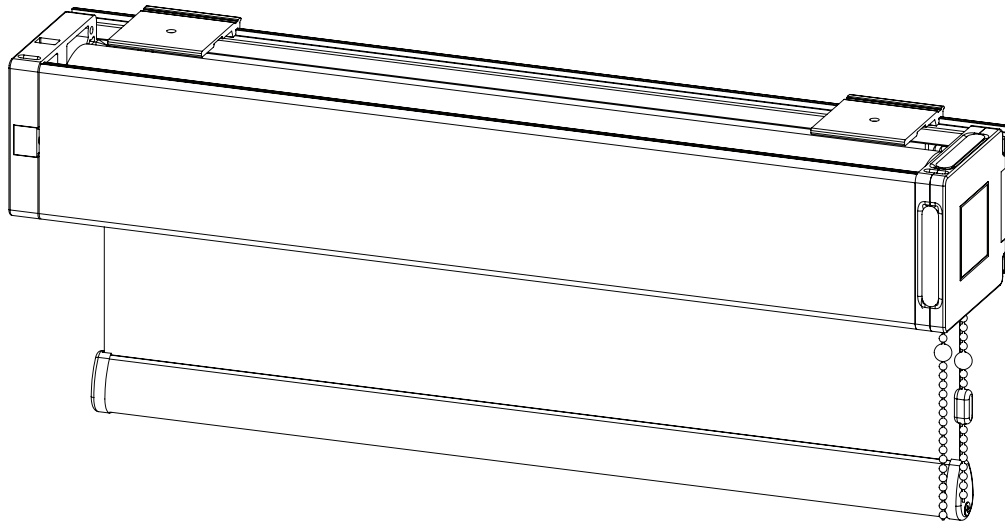
CHAIN OPERATED ROLLER SYSTEMS

MODULINE[®] system

LITE-LIFT[®] CHAIN OPERATED

WITH OR WITHOUT FASCIA 85, 105

SHADE HOLDER: STANDARD



MDL1-LL-85-VS

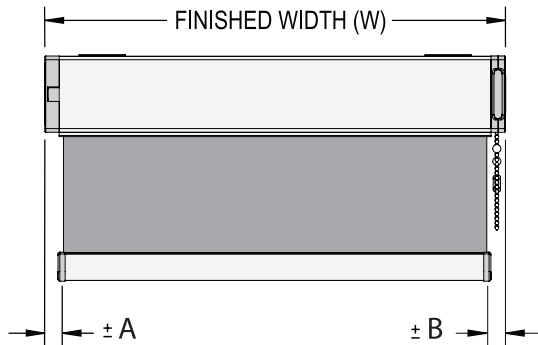
WITH OR WITHOUT FASCIA 85

MDL1-LL-105-VS

WITH OR WITHOUT FASCIA 105



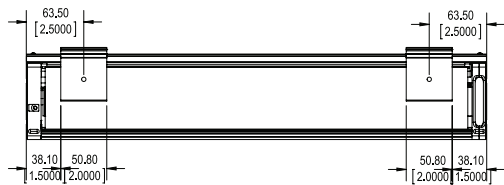
ELEVATION



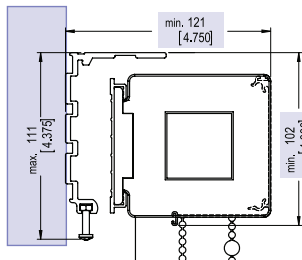
TOLERANCE +/- 1.5mm [0.0625"]
DIMENSIONS mm [inches]

DIMENSION	FABRIC EDGE CLEARANCE [±mm / ±in] BY TUBE TYPE							
	32	38	46	53	63			
A	22	0.875	22	0.875	22	0.875	n/a	n/a
B	22	0.875	22	0.875	22	0.875	n/a	n/a

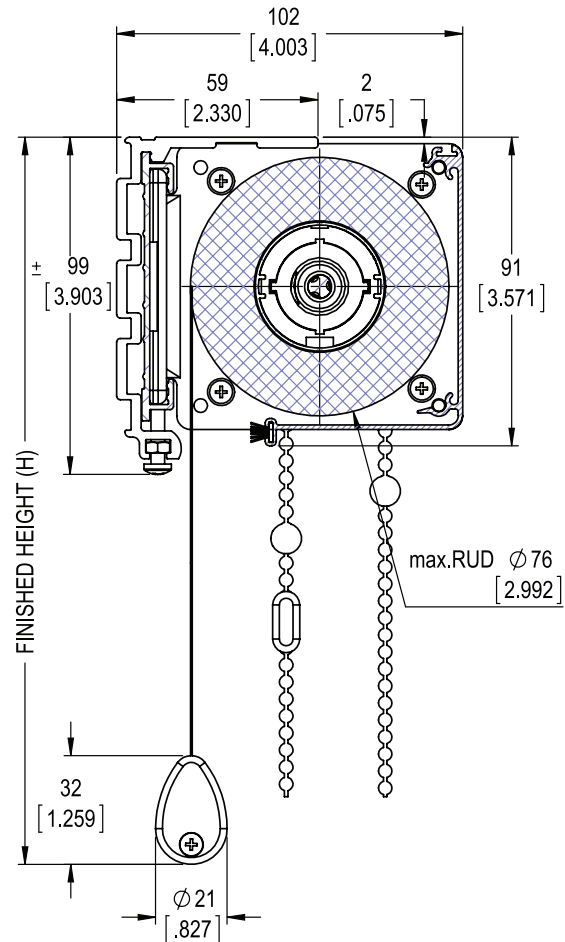
MOUNTING



MINIMUM CLEARANCE
REQUIRED FOR MOUNTING



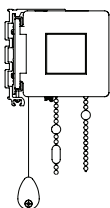
SECTION



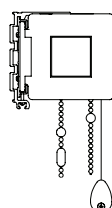
MODEL

MDL1-LL-85-VS

ROLL STYLE



REGULAR ROLL



REVERSE ROLL

NOTE: For size limitation guidelines, please refer to our Size Limitation Detail Sheets or contact our Technical Department.

MONTREAL

T: 800.363.5930

@: info@altex.ca

TORONTO

T: 888.836.6980

@: sales@altex.ca

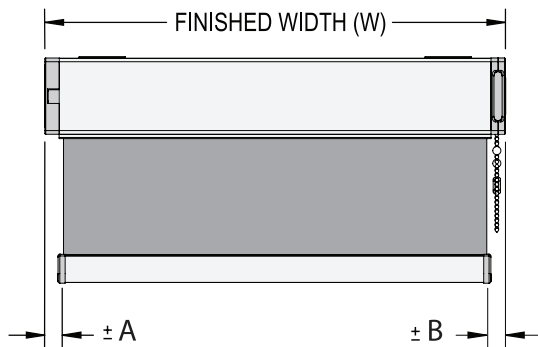
VANCOUVER

T: 888.980.9899

@: servicewest@altex.ca



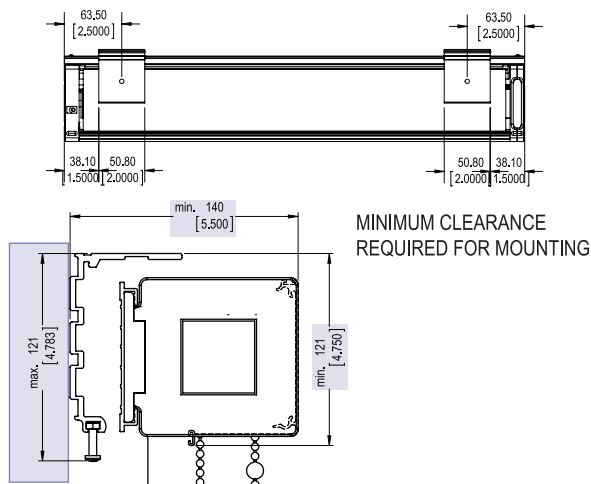
ELEVATION



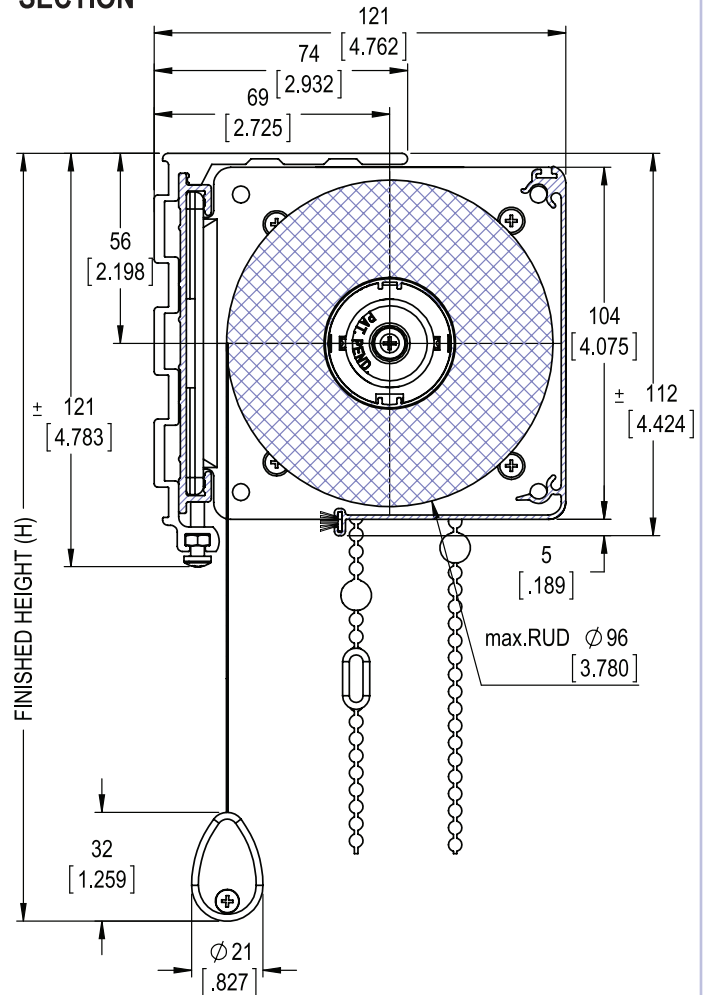
TOLERANCE +/- 1.5mm [0.0625"]
DIMENSIONS mm [inches]

DIMENSION	FABRIC EDGE CLEARANCE [±mm / ±in] BY TUBE TYPE									
	32		38		46		53		63	
A	22	0.875	22	0.875	22	0.875	22	0.875	n/a	n/a
B	22	0.875	22	0.875	22	0.875	22	0.875	n/a	n/a

MOUNTING



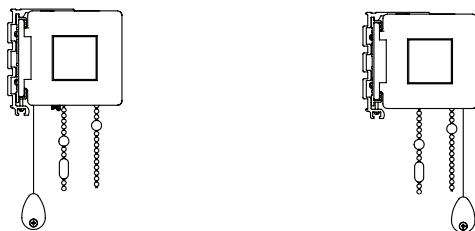
SECTION



MODEL

MDL1-LL-105-VS

ROLL STYLE



REGULAR ROLL

REVERSE ROLL

NOTE: For size limitation guidelines, please refer to our Size Limitation Detail Sheets or contact our Technical Department.

MONTREAL

T: 800.363.5930

@: info@altex.ca

TORONTO

T: 888.836.6980

@: sales@altex.ca

VANCOUVER

T: 888.980.9899

@: servicewest@altex.ca



ALTEX[®]

SunProject™
line of products

MODULINE[®] LITE-LIFT[®] 85, 105

CHAIN OPERATED ROLLER SYSTEMS

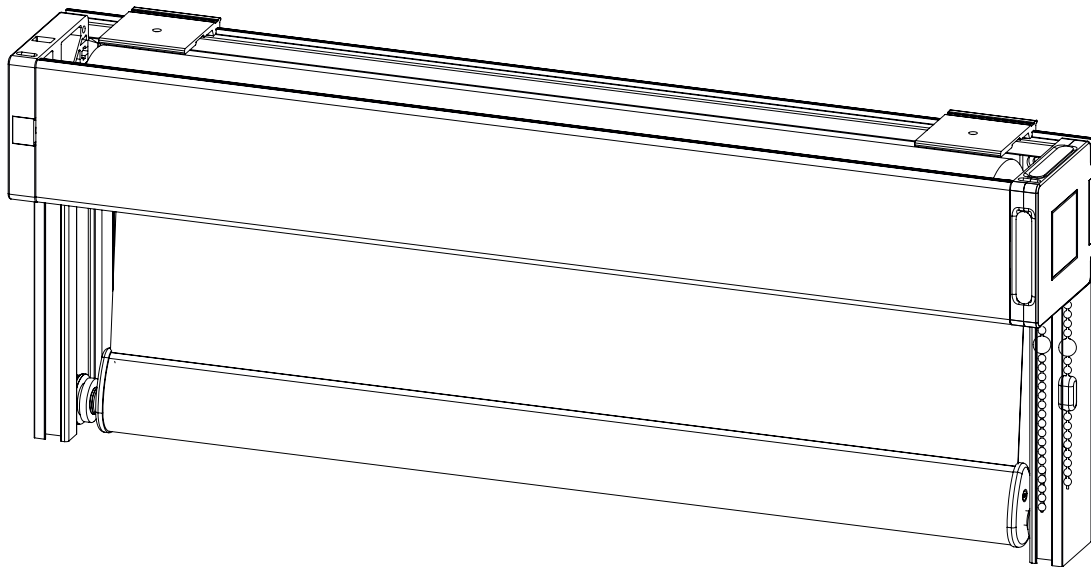


LITE-LIFT[®] CHAIN OPERATED

WITH OR WITHOUT FASCIA 85, 105,

SHADE HOLDER: **STANDARD**

CHANNEL: **ST-3**



MDL3-LL-85-VS

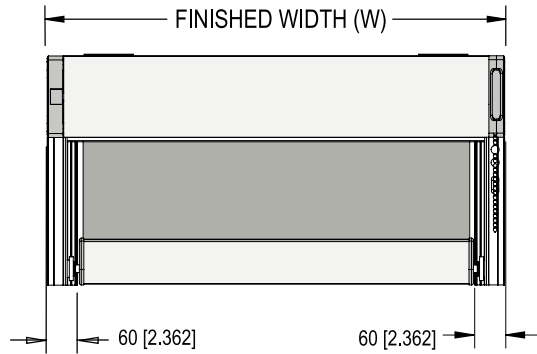
WITH OR WITHOUT FASCIA 85

MDL3-LL-105-VS

WITH OR WITHOUT FASCIA 105

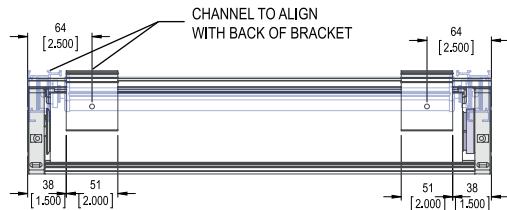


ELEVATION

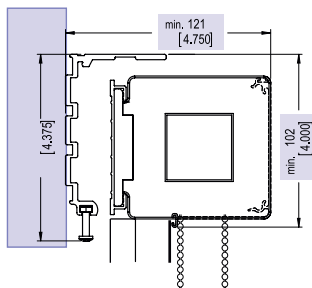


TOLERANCE +/- 1.5mm [0.0625"]
DIMENSIONS mm [inches]

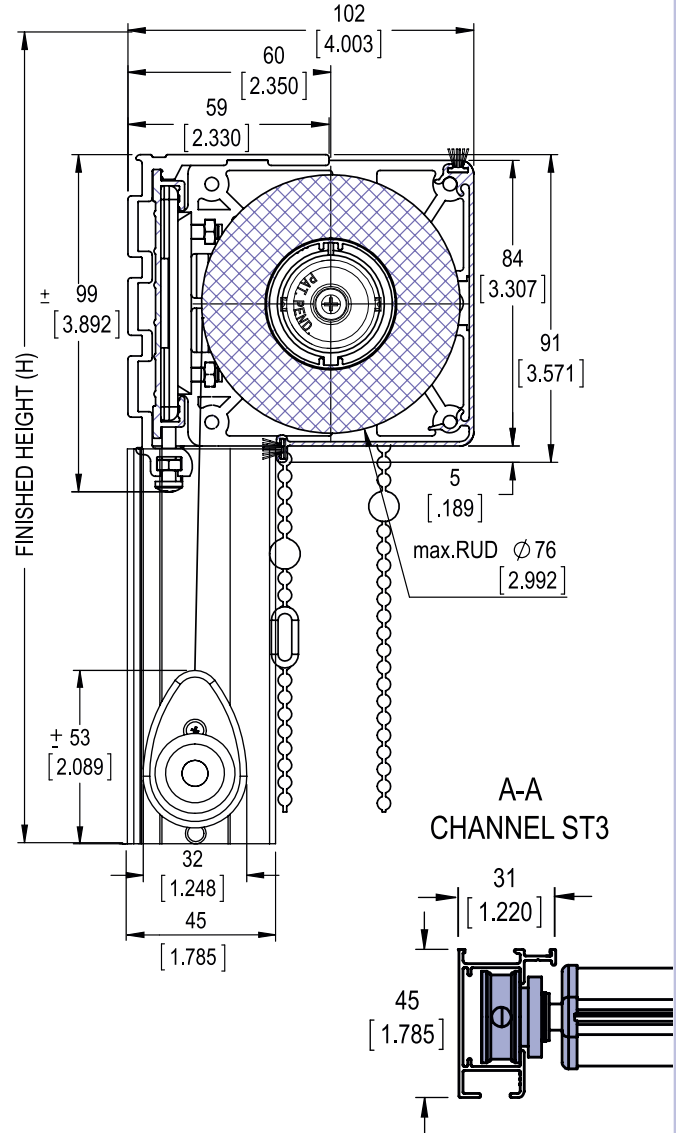
MOUNTING



MINIMUM CLEARANCE
REQUIRED FOR MOUNTING



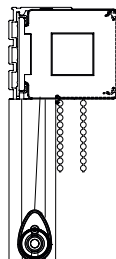
SECTION



MODEL

MDL3-LL-85-VS

ROLL STYLE



REGULAR ROLL

NOTE: For size limitation guidelines, please refer to our Size Limitation Detail Sheets or contact our Technical Department.

MONTREAL

T: 800.363.5930

@: info@altex.ca

TORONTO

T: 888.836.6980

@: sales@altex.ca

VANCOUVER

T: 888.980.9899

@: servicewest@altex.ca



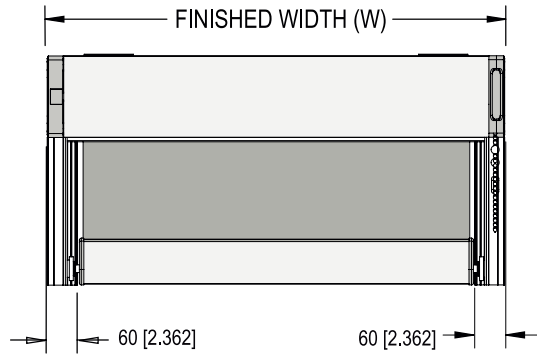
ALTEX[®]
SunProject™
line of products

MODULINE[®] LITE-LIFT[®] 105

CHAIN OPERATED ROLLER SYSTEMS

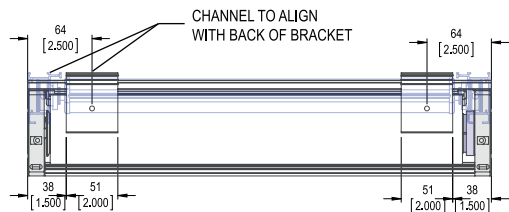


ELEVATION

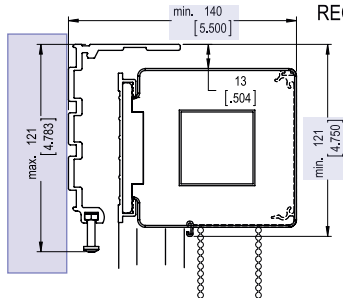


TOLERANCE +/- 1.5mm [0.0625"]
DIMENSIONS mm [inches]

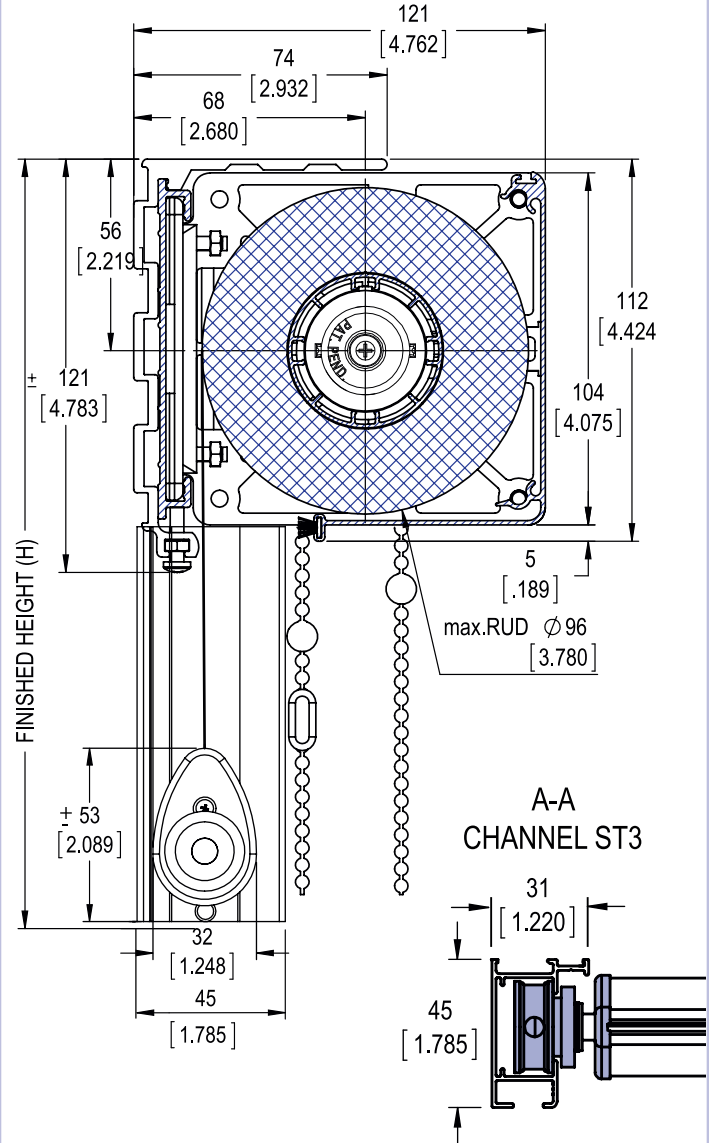
MOUNTING



MINIMUM CLEARANCE
REQUIRED FOR MOUNTING



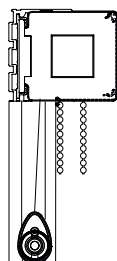
SECTION



MODEL

MDL3-LL-105-VS

ROLL STYLE



REGULAR ROLL

NOTE: For size limitation guidelines, please refer to our Size Limitation Detail Sheets or contact our Technical Department.

MONTREAL

T: 800.363.5930

@: info@altex.ca

TORONTO

T: 888.836.6980

@: sales@altex.ca

VANCOUVER

T: 888.980.9899

@: servicewest@altex.ca



ALTEX[®]
SunProject™
line of products

MODULINE[®] LITE-LIFT[®] 85, 105 CHAIN OPERATED ROLLER SYSTEMS

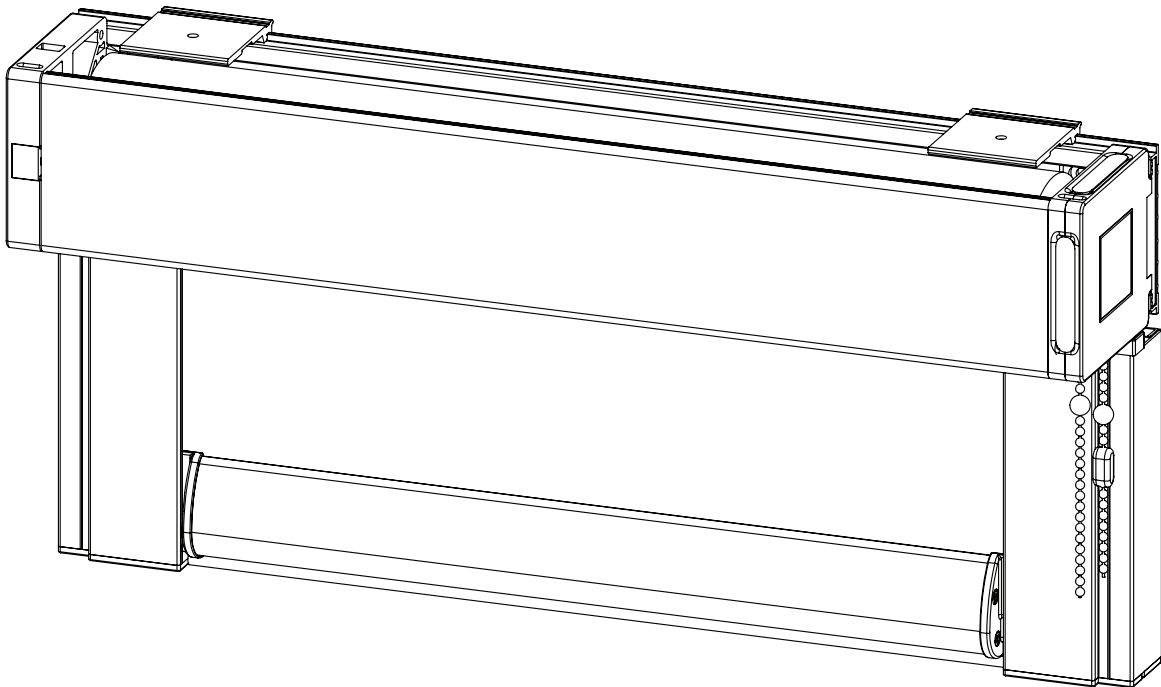
MODULINE[®] system

LITE-LIFT[®] CHAIN OPERATED

WITH OR WITHOUT FASCIA 85, 105,

SHADE HOLDER: **STANDARD**

CHANNEL: **T-460**



MDL4-LL-85-VS

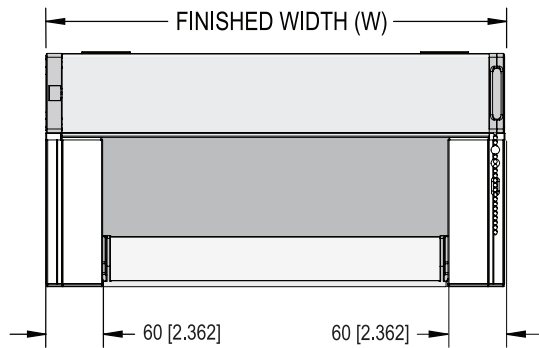
WITH OR WITHOUT FASCIA 85

MDL4-LL-105-VS

WITH OR WITHOUT FASCIA 105

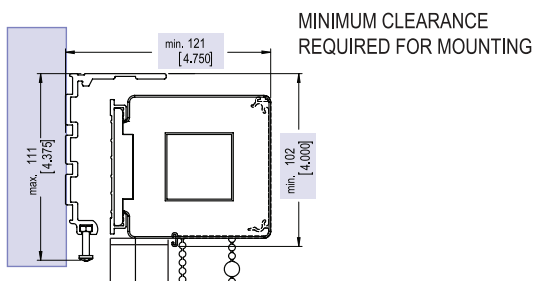
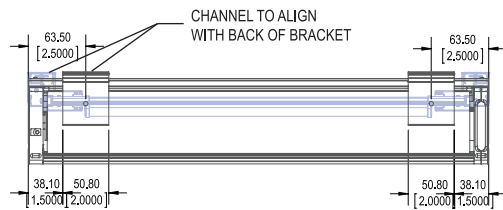


ELEVATION

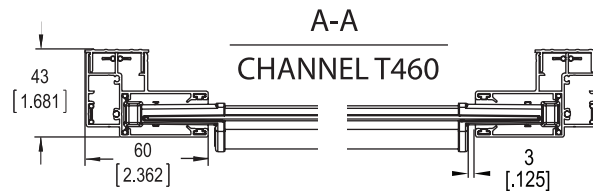
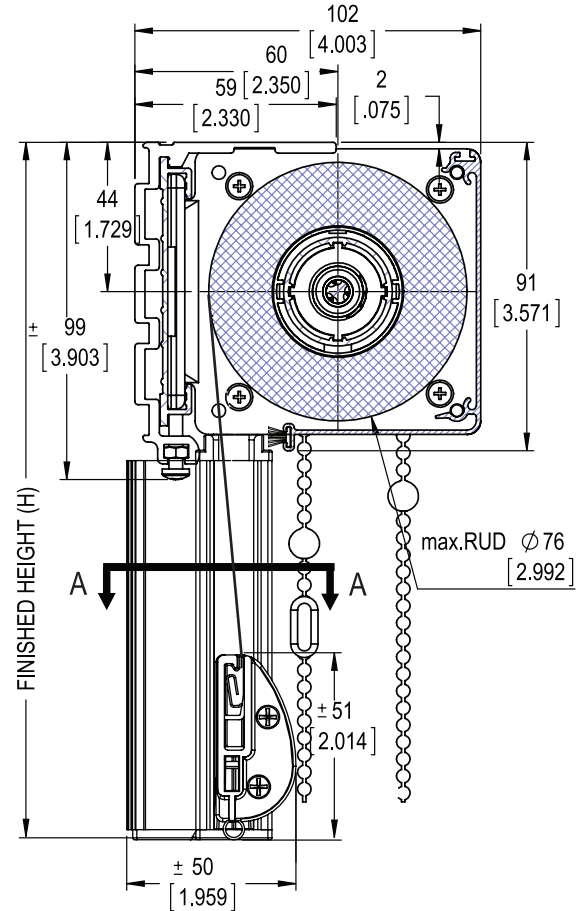


TOLERANCE +/- 1.5mm [0.0625"]
DIMENSIONS mm [inches]

MOUNTING

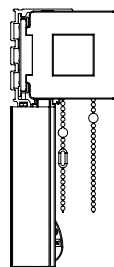


SECTION



MODEL MDL4-LL-85-VS

ROLL STYLE



REGULAR ROLL

NOTE: For size limitation guidelines, please refer to our Size Limitation Detail Sheets or contact our Technical Department.

MONTREAL T: 800.363.5930 @: info@altex.ca	TORONTO T: 888.836.6980 @: sales@altex.ca	VANCOUVER T: 888.980.9899 @: servicewest@altex.ca
--------------------------------------------------------	--------------------------------------------------------	----------------------------------------------------------------



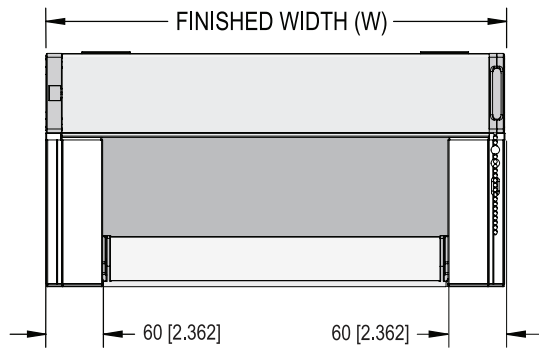
ALTEX[®]
SunProject™
line of products

MODULINE[®] LITE-LIFT[®] 105

CHAIN OPERATED ROLLER SYSTEMS

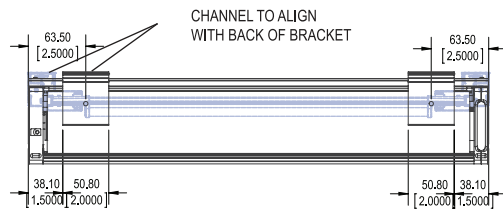


ELEVATION

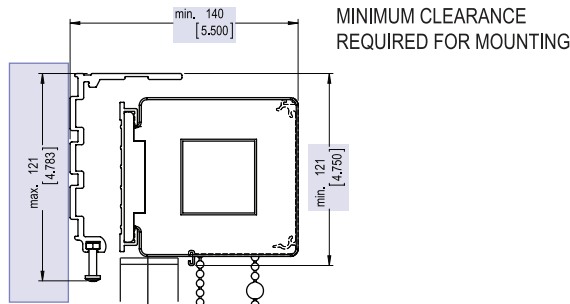


TOLERANCE +/- 1.5mm [0.0625"]
DIMENSIONS mm [inches]

MOUNTING

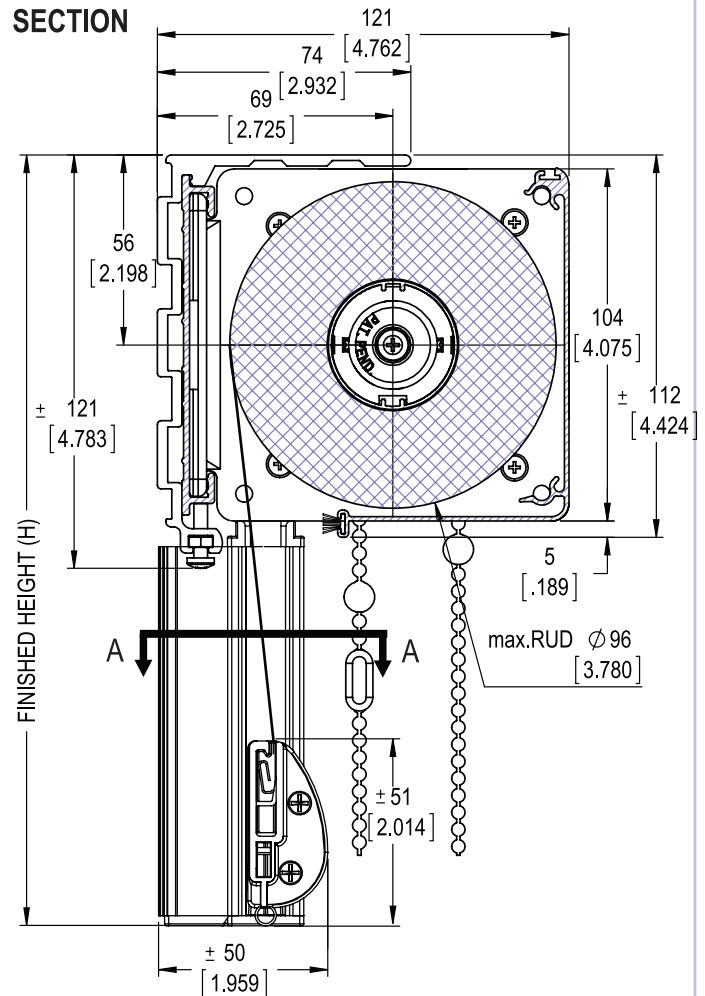


CHANNEL TO ALIGN
WITH BACK OF BRACKET

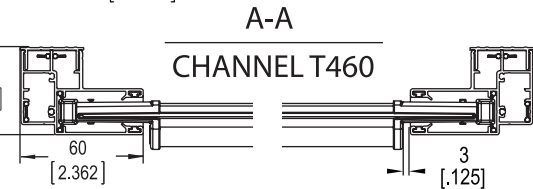


MINIMUM CLEARANCE
REQUIRED FOR MOUNTING

SECTION

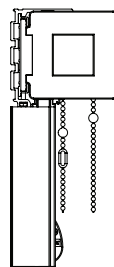


FINISHED HEIGHT (H)



MODEL MDL4-LL-105-VS

ROLL STYLE



REGULAR ROLL

NOTE: For size limitation guidelines, please refer to our Size Limitation Detail Sheets or contact our Technical Department.

MONTREAL T: 800.363.5930 @: info@altex.ca	TORONTO T: 888.836.6980 @: sales@altex.ca	VANCOUVER T: 888.980.9899 @: servicewest@altex.ca
-------------------------------------------------	-------------------------------------------------	---------------------------------------------------------

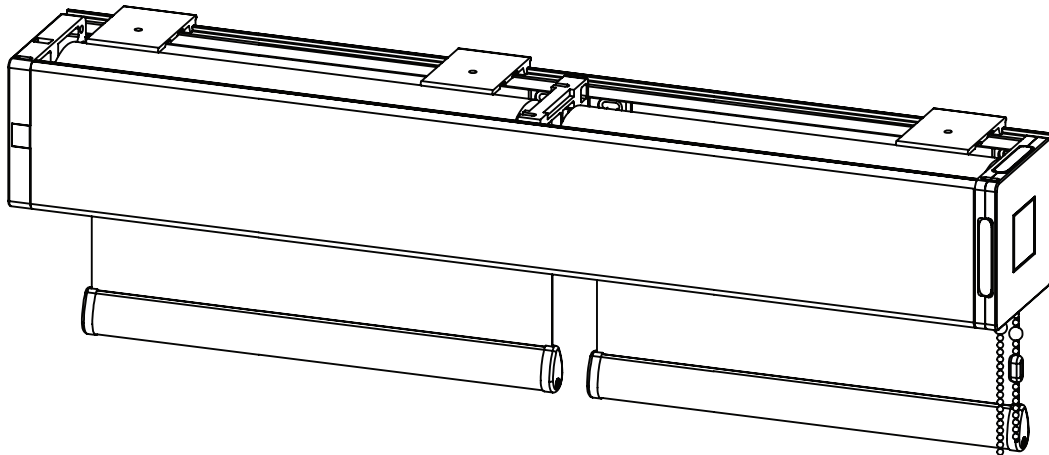


ALTEX[®]
SunProject™
line of products

MODULINE[®] LITE-LIFT[®] TANDEM 85,105
CHAIN OPERATED ROLLER SYSTEMS



LITE-LIFT[®] CHAIN OPERATED
WITH OR WITHOUT FASCIA 85, 105
SHADE HOLDER: STANDARD



MULTIBANDS AVAILABLE IN: 2B 3B

2 BANDED SYSTEM SHOWN

MDL1-LL-85-VS - TANDEM

WITH OR WITHOUT FASCIA 85

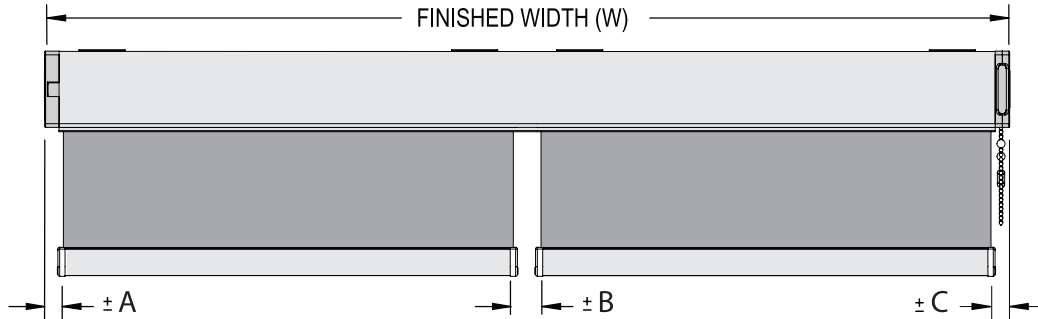
MDL1-LL-105-VS - TANDEM

WITH OR WITHOUT FASCIA 105

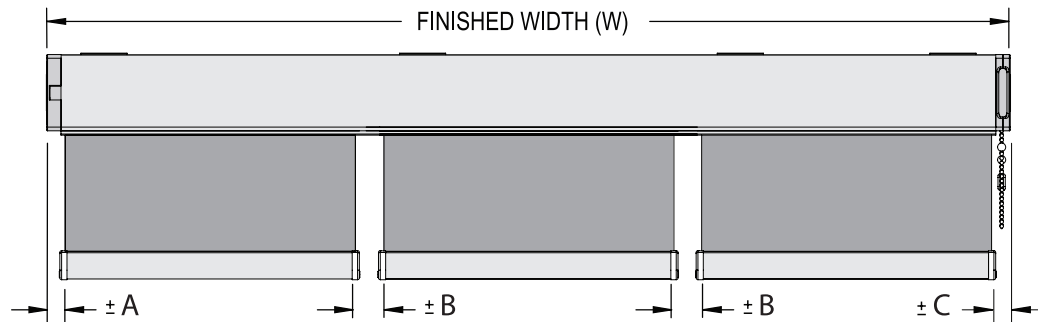


AVAILABLE TANDEM OPTIONS

2 BANDED



3 BANDED



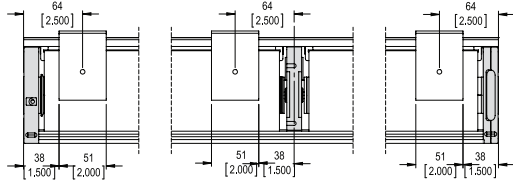
EDGE CLEARANCE	A	B	C
DIMENSION	± 22 [0.875"]	± 44 [1.732"]	± 22 [0.875"]

MDL1-LL-85/105-VS - TANDEM

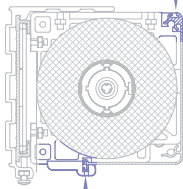
WITH OR WITHOUT FASCIA 85,105



MOUNTING

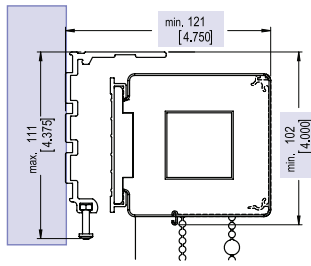


MIDDLE BRACKET



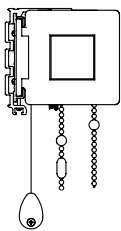
FASCIA TO ENGAGE AT THE TOP OF MIDDLE BRACKET AS SHOWN

SECURE FASCIA AT EACH MIDDLE BRACKET WITH SAFETY CLIP

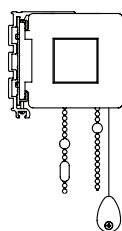


MINIMUM CLEARANCE REQUIRED FOR MOUNTING

ROLL STYLE

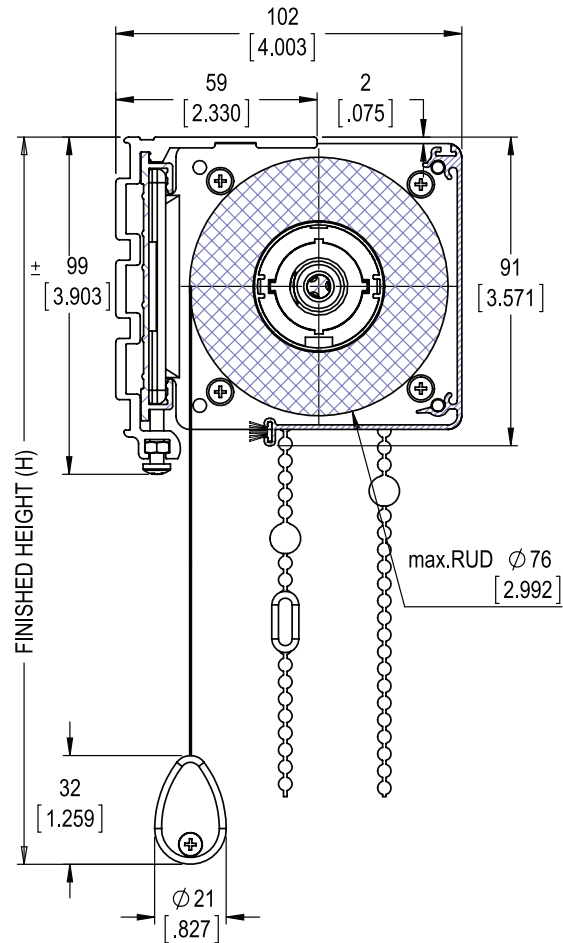


REGULAR ROLL



REVERSE ROLL

SECTION



MODEL

MDL1-LL-85-VS-TANDEM

NOTE: For size limitation guidelines, please refer to our Size Limitation Detail Sheets or contact our Technical Department.

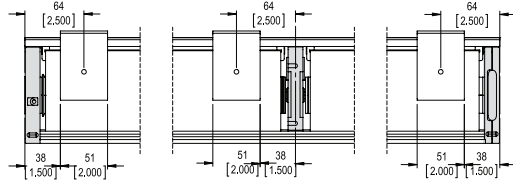
MONTREAL
T: 800.363.5930
@: info@altex.ca

TORONTO
T: 888.836.6980
@: sales@altex.ca

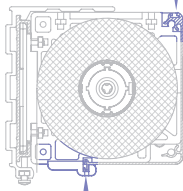
VANCOUVER
T: 888.980.9899
@: servicewest@altex.ca



MOUNTING

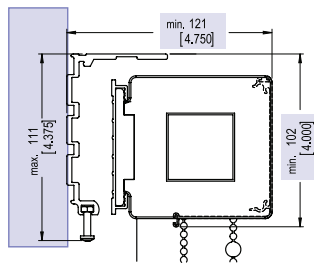


MIDDLE BRACKET



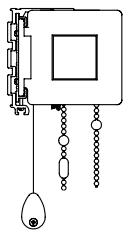
FASCIA TO ENGAGE AT THE TOP OF MIDDLE BRACKET AS SHOWN

SECURE FASCIA AT EACH MIDDLE BRACKET WITH SAFETY CLIP

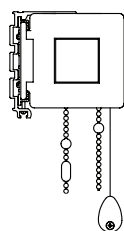


MINIMUM CLEARANCE REQUIRED FOR MOUNTING

ROLL STYLE

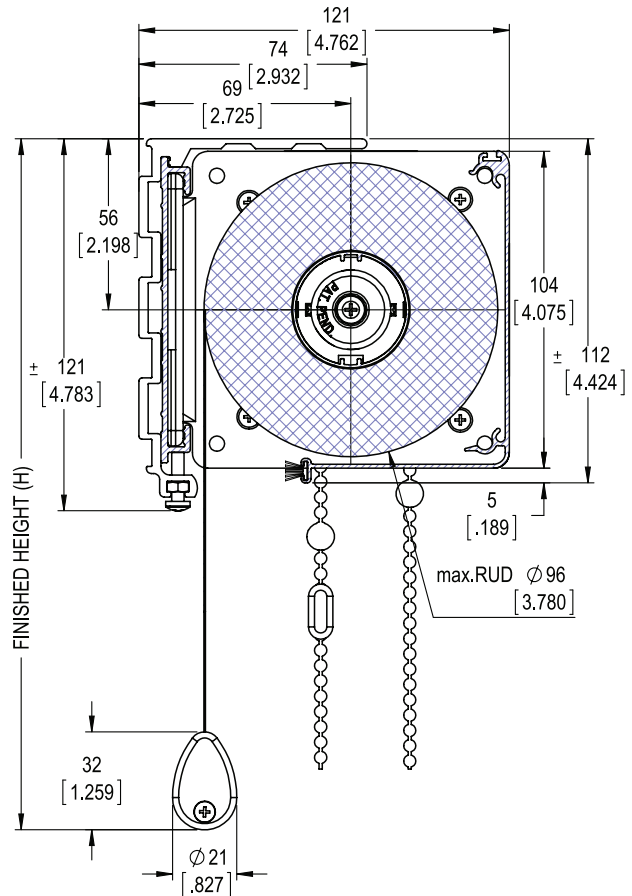


REGULAR ROLL



REVERSE ROLL

SECTION



FINISHED HEIGHT (H)

MODEL

MDL1-LL-105-VS-TANDEM

NOTE: For size limitation guidelines, please refer to our Size Limitation Detail Sheets or contact our Technical Department.

MONTREAL
T: 800.363.5930
@: info@altex.ca

TORONTO
T: 888.836.6980
@: sales@altex.ca

VANCOUVER
T: 888.980.9899
@: servicewest@altex.ca

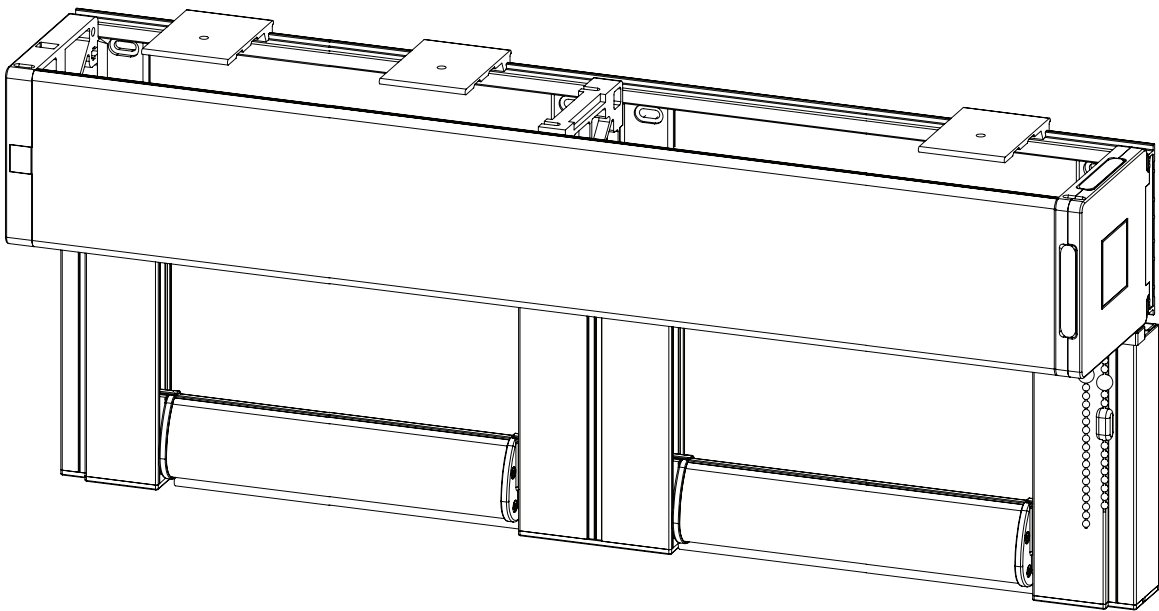


ALTEX[®]
SunProject™
line of products

MODULINE[®] LITE-LIFT[®] TANDEM 85,105
CHAIN OPERATED ROLLER SYSTEMS



- LITE-LIFT[®] CHAIN OPERATED
- WITH OR WITHOUT FASCIA 85, 105,
- SHADE HOLDER: **STANDARD**
- CHANNEL: **T-460**



MULTIBANDS AVAILABLE IN: 2B 3B

2 BANDED SYSTEM SHOWN

MDL4-LL-85-VS - TANDEM

WITH OR WITHOUT FASCIA 85

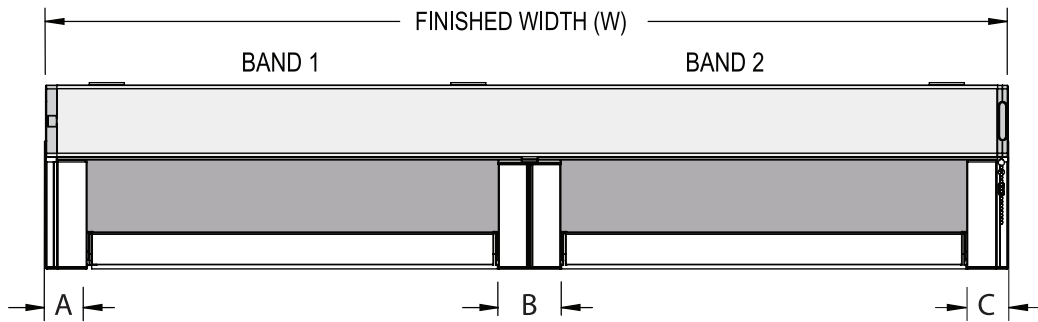
MDL4-LL-105-VS - TANDEM

WITH OR WITHOUT FASCIA 105

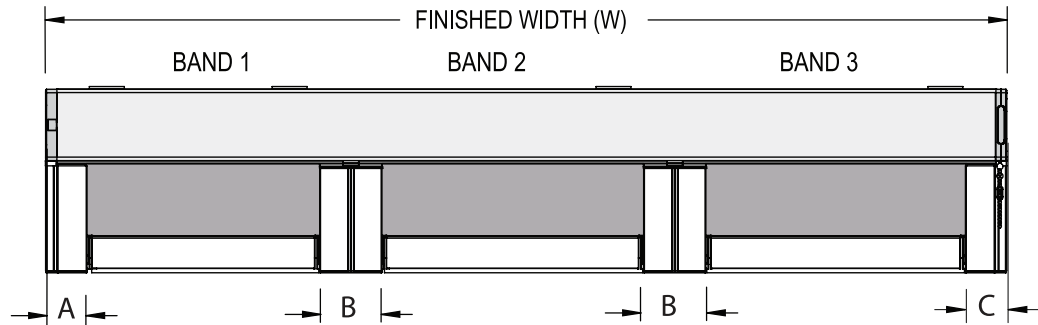


AVAILABLE TANDEM OPTIONS

2 BANDED

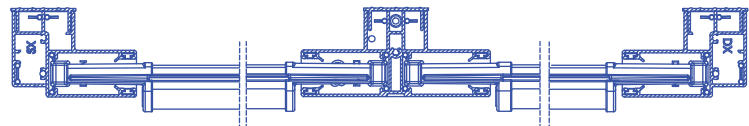


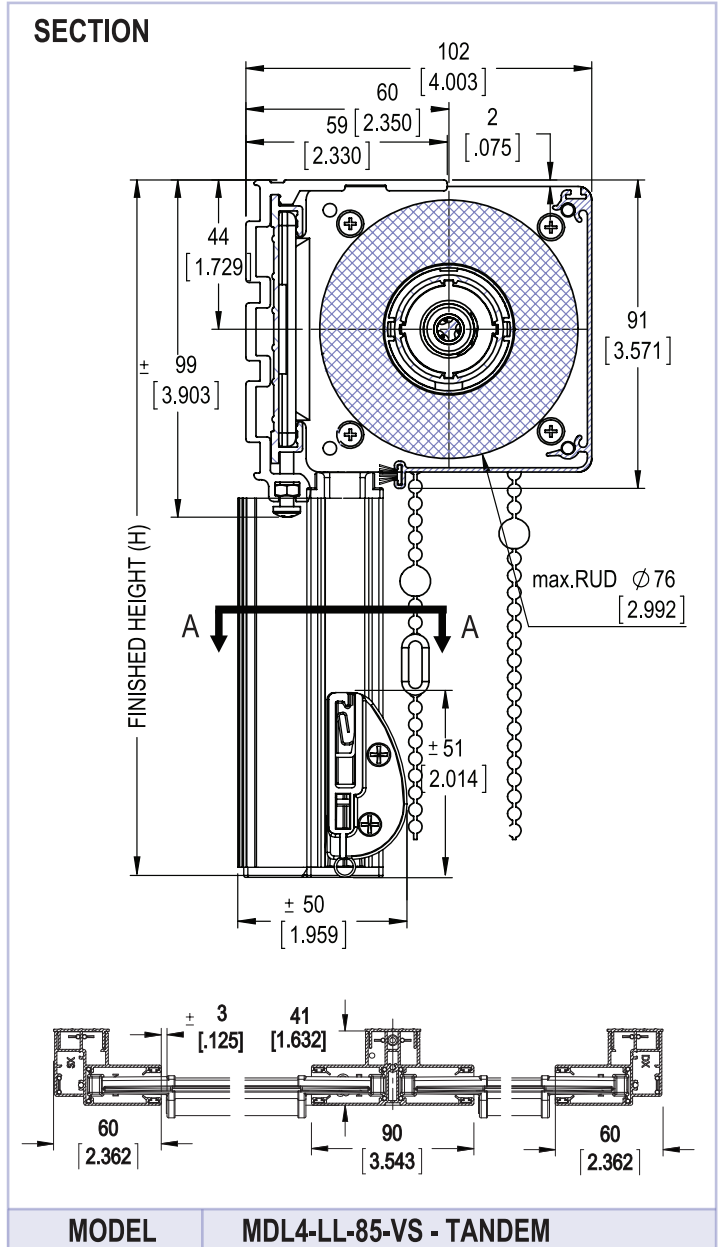
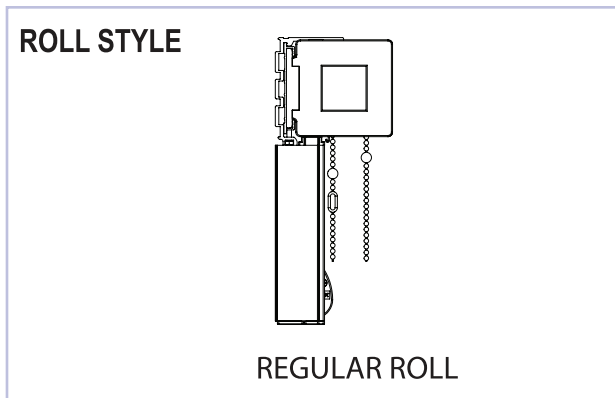
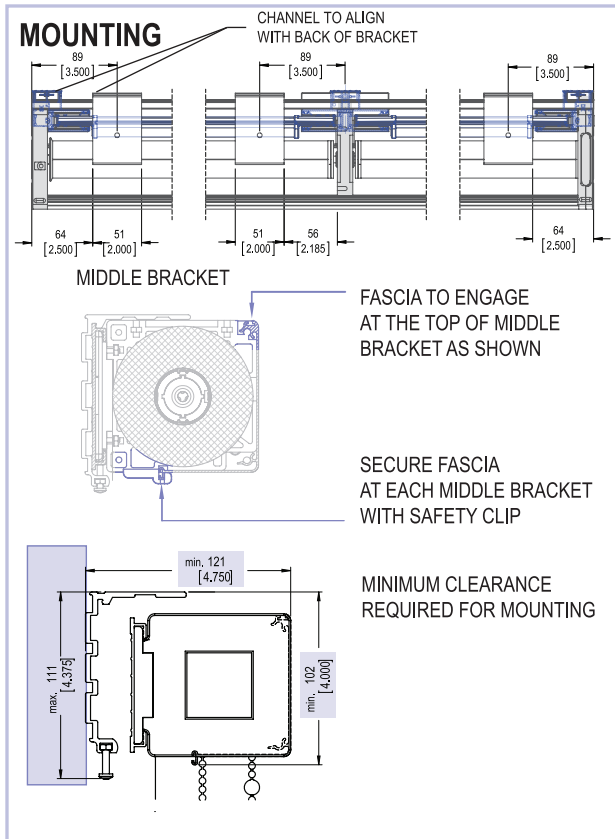
3 BANDED



CHANNEL	A	B	C
	T-460	T-490	T-460
	± 60 [2.362"]	± 90 [3.543"]	± 60 [2.362"]

DIMENSION





NOTE: For size limitation guidelines, please refer to our Size Limitation Detail Sheets or contact our Technical Department.

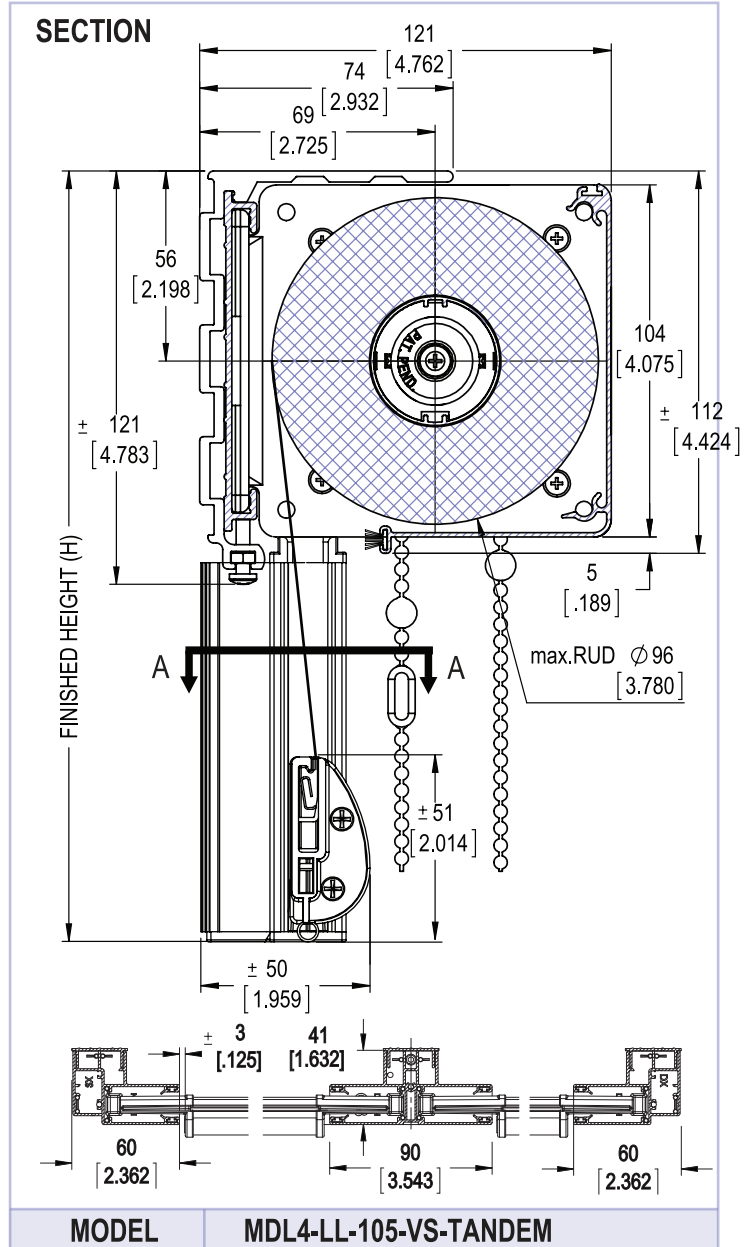
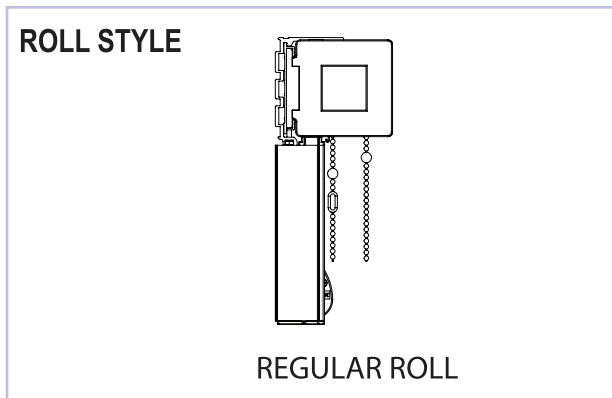
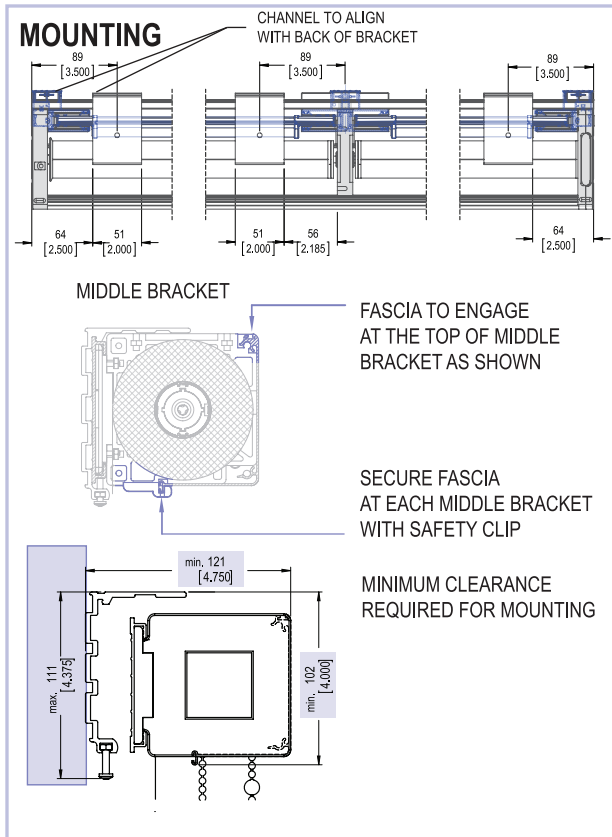
MONTREAL T: 800.363.5930 @: info@altex.ca	TORONTO T: 888.836.6980 @: sales@altex.ca	VANCOUVER T: 888.980.9899 @: servicewest@altex.ca
--------------------------------------------------------	--------------------------------------------------------	----------------------------------------------------------------



ALTEX[®]
SunProject™
line of products

MODULINE[®] LITE-LIFT[®] TANDEM 105

CHAIN OPERATED ROLLER SYSTEMS



NOTE: For size limitation guidelines, please refer to our Size Limitation Detail Sheets or contact our Technical Department.

MONTREAL
T: 800.363.5930
@: info@altex.ca

TORONTO
T: 888.836.6980
@: sales@altex.ca

VANCOUVER
T: 888.980.9899
@: servicewest@altex.ca



ALTEX[®]

SunProject™
line of products

MODULINE[®] LITE-LIFT[®] DUAL 140

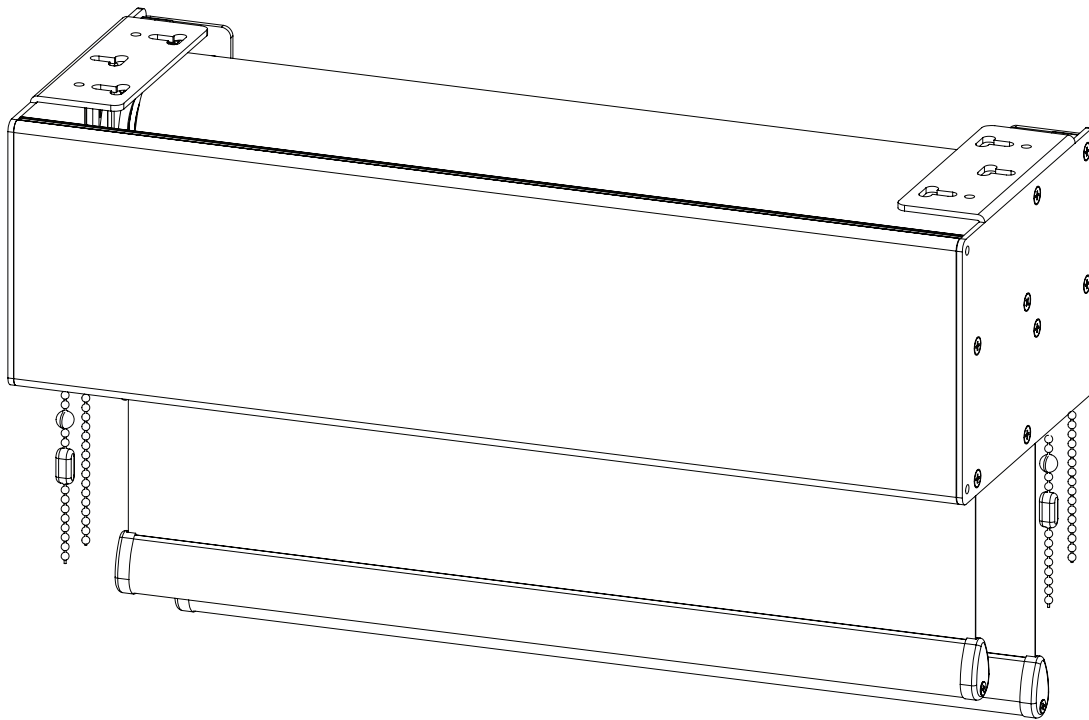
CHAIN OPERATED ROLLER SYSTEMS

MODULINE[®]
system

LITE-LIFT[®] CHAIN OPERATED

WITH OR WITHOUT **FASCIA 140**

SHADE HOLDER: N/A

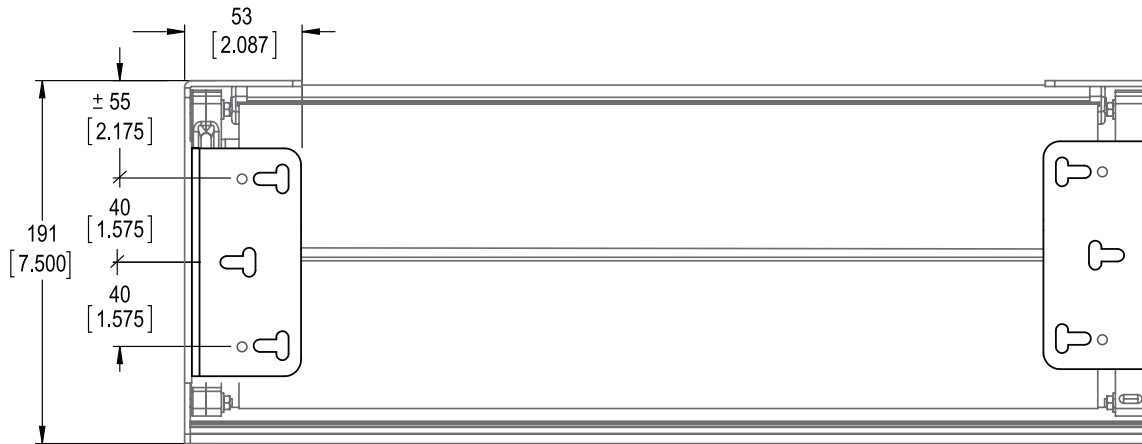


DUAL MDL11-140-LL-LL

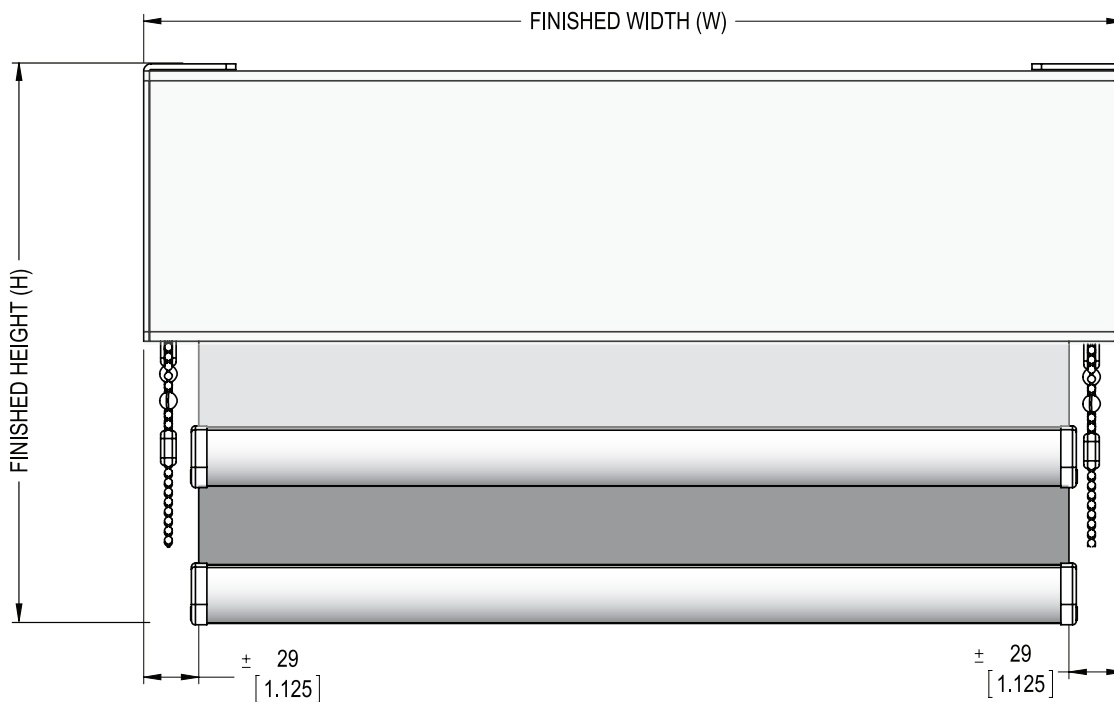
WITH OR WITHOUT FASCIA 140



TOP VIEW



ELEVATION

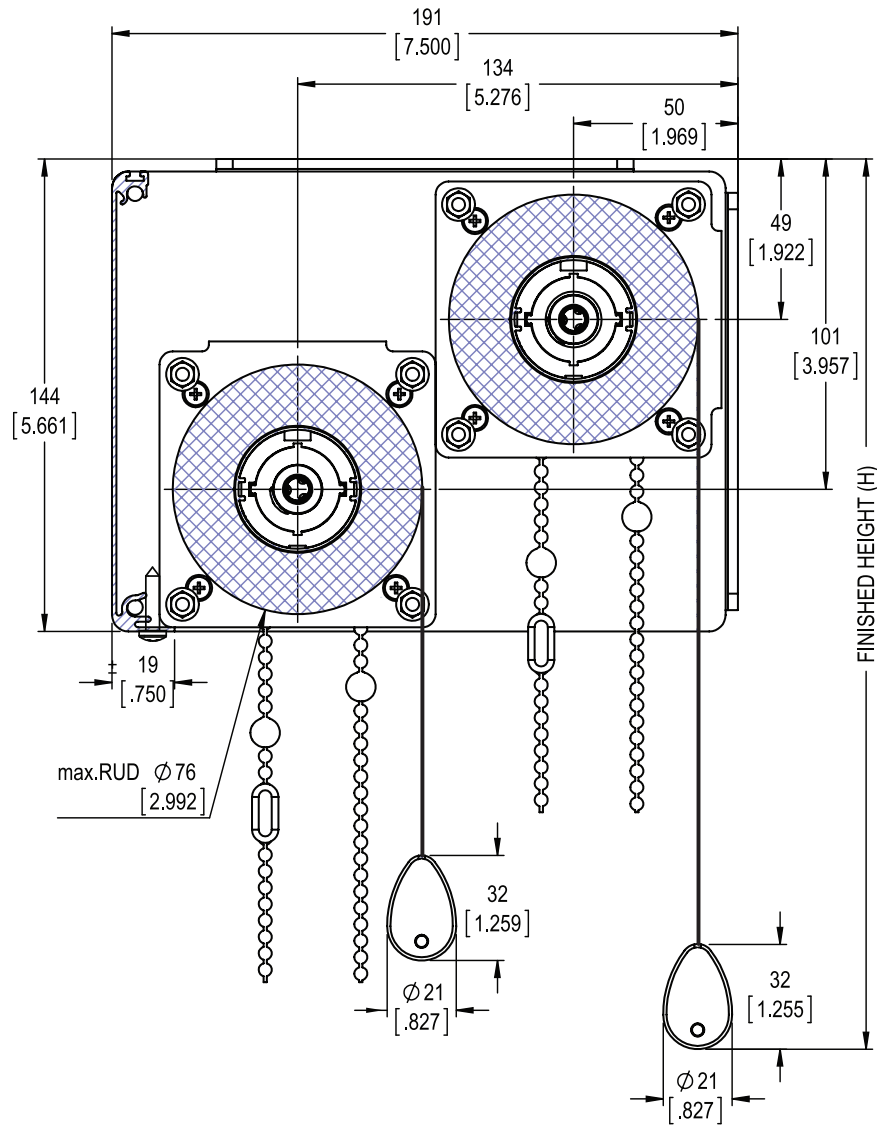


DUAL MDL11-140-LL-LL

WITH OR WITHOUT FASCIA 140



SECTION



NOTE: For size limitation guidelines, please refer to our Size Limitation Detail Sheets or contact our Technical Department.

MONTREAL	TORONTO	VANCOUVER
T: 800.363.5930	T: 888.836.6980	T: 888.980.9899
@: info@altex.ca	@: sales@altex.ca	@: servicewest@altex.ca

TOLERANCE +/-1.5mm [0.0625"] DIMENSIONS mm [inches]

MODEL

DUAL MDL11-LL38/LL38-140-VS



ALTEX[®]

SunProject™
line of products

MODULINE[®] LITE-LIFT[®] DUAL 140

CHAIN OPERATED ROLLER SYSTEMS

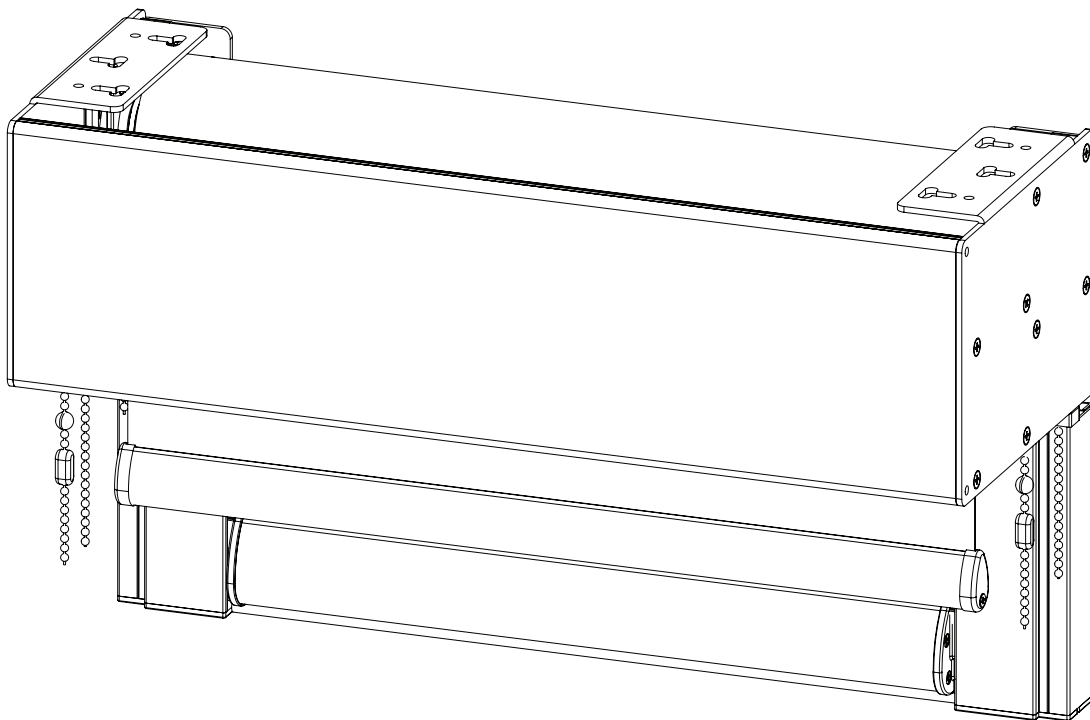
MODULINE[®]
system

LITE-LIFT[®] | CHAIN OPERATED

WITH OR WITHOUT **FASCIA 140**

SHADE HOLDER: **N/A**

CHANNEL: **T-460**



DUAL MDL41-140-LL-LL

WITH OR WITHOUT FASCIA 140

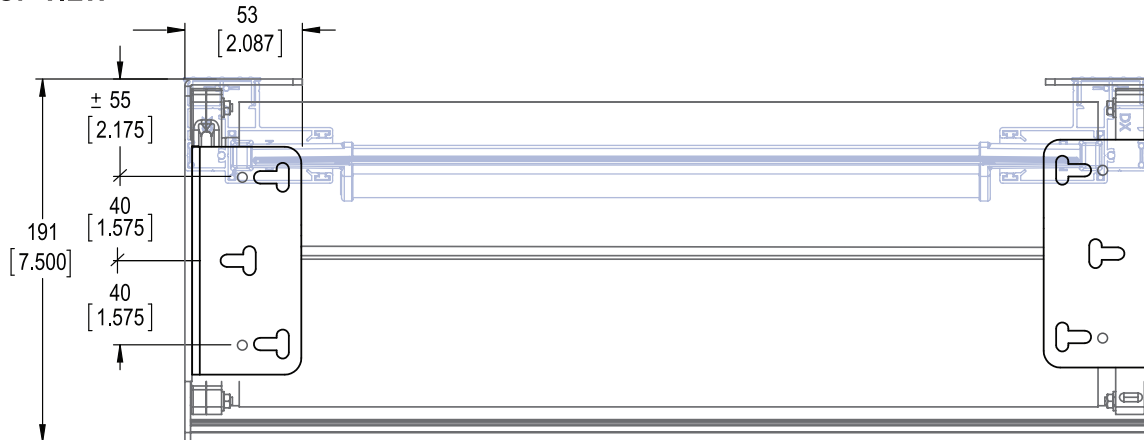


ALTEX[®]
SunProject™
line of products

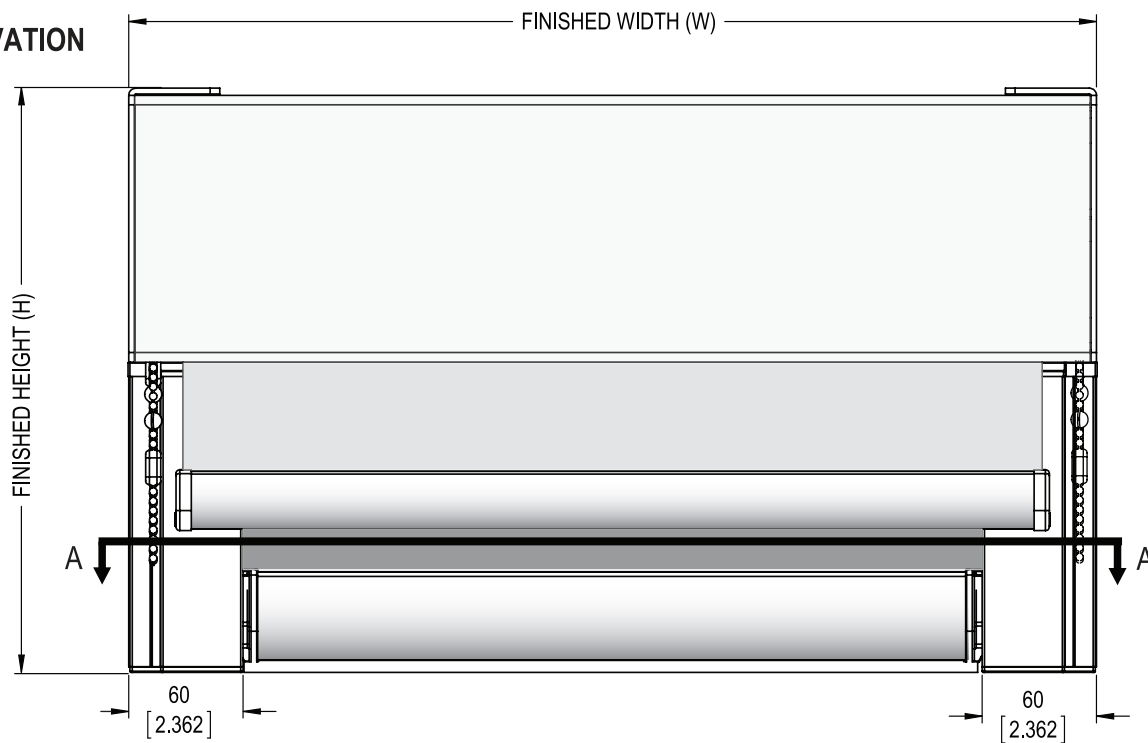
MODULINE[®] LITE-LIFT[®] DUAL 140
CHAIN OPERATED ROLLER SYSTEMS



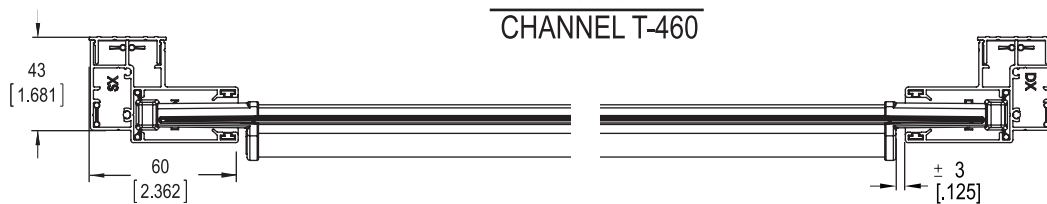
TOP VIEW



ELEVATION



A-A
CHANNEL T-460

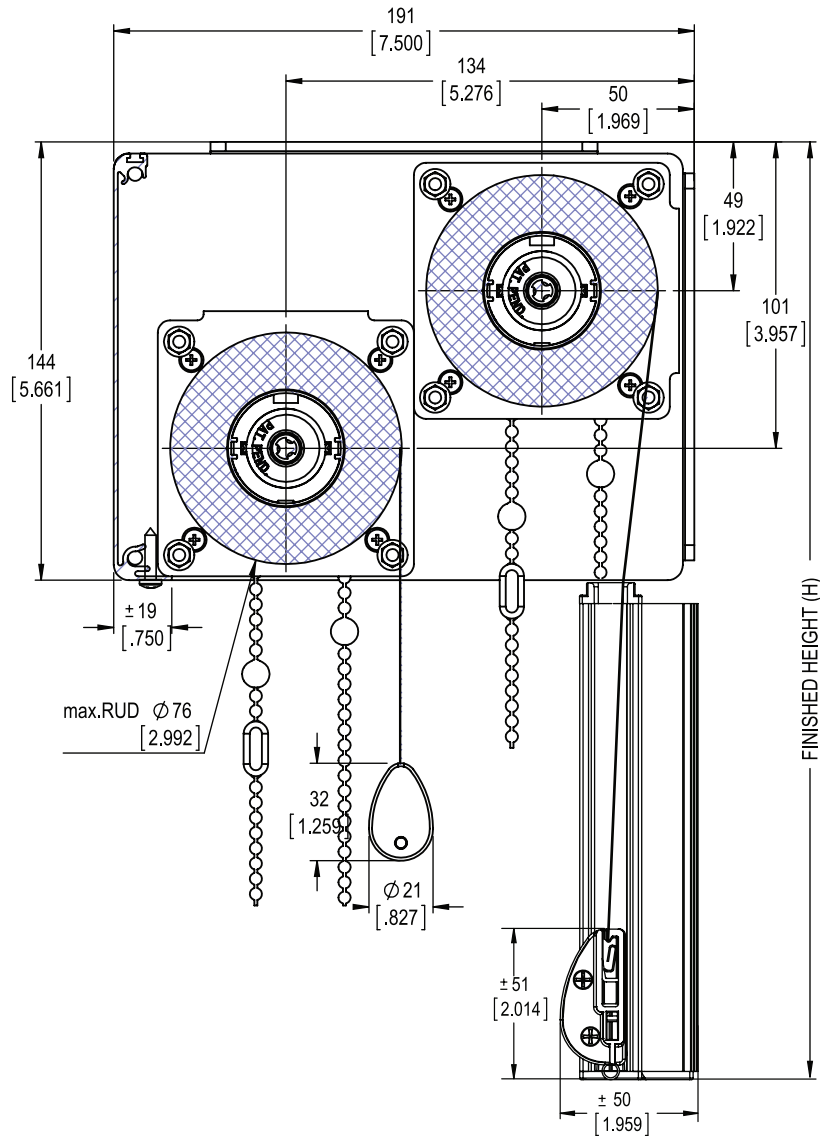


DUAL MDL41-140-LL-LL

WITH OR WITHOUT FASCIA 140



SECTION



NOTE: For size limitation guidelines, please refer to our Size Limitation Detail Sheets or contact our Technical Department.

MONTREAL	TORONTO	VANCOUVER
T: 800.363.5930	T: 888.836.6980	T: 888.980.9899
@: info@altex.ca	@: sales@altex.ca	@: servicewest@altex.ca

TOLERANCE +/-1.5mm [0.0625"] DIMENSIONS mm [inches]

MODEL

DUAL MDL41-LL38/LL38-140-VS

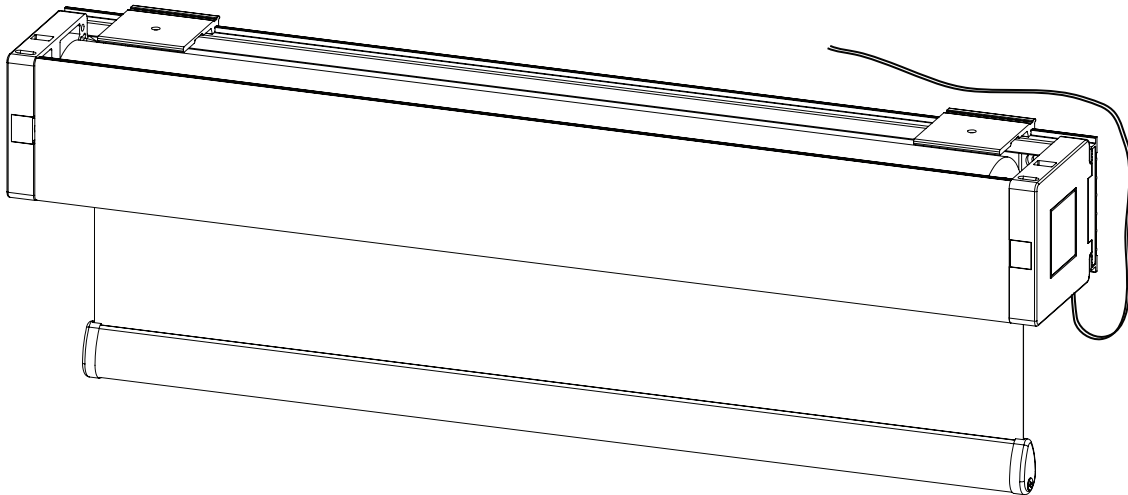


ALTEX[®]
SunProject™
line of products

MODULINE[®] ELEKTRA 85, 105 ULTRA QUIET - 24VDC
UQM 30 RTS /UQM 30 ILT MOTOR OPERATED ROLLER SYSTEMS



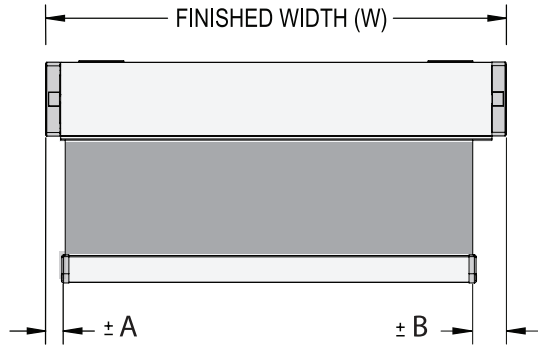
ELEKTRA	ULTRA QUIET MOTOR
WITH OR WITHOUT FASCIA 85, 105	
SHADE HOLDER: STANDARD	
MOTOR TYPE:	UQM 30 RTS - 24VDC
	UQM 30 ILT - 24VDC



MDL1-EM-85-VS-UQM30	WITH OR WITHOUT FASCIA 85
MDL1-EM-105-VS-UQM30	WITH OR WITHOUT FASCIA 105



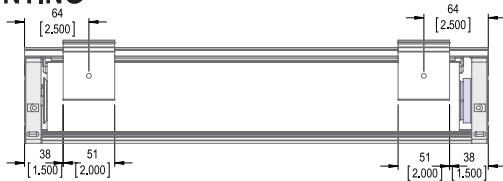
ELEVATION



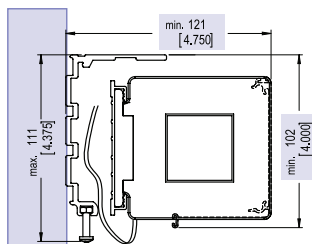
TOLERANCE +/- 1.5mm [0.0625"]
DIMENSIONS mm [inches]

DIMENSION	FABRIC EDGE CLEARANCE [±mm / ±in] BY TUBE TYPE									
	32		38		46		53		63	
A	n/a	n/a	22	0.875	22	0.875	22	0.875	n/a	n/a
B	n/a	n/a	29	1.125	29	1.125	29	1.125	n/a	n/a

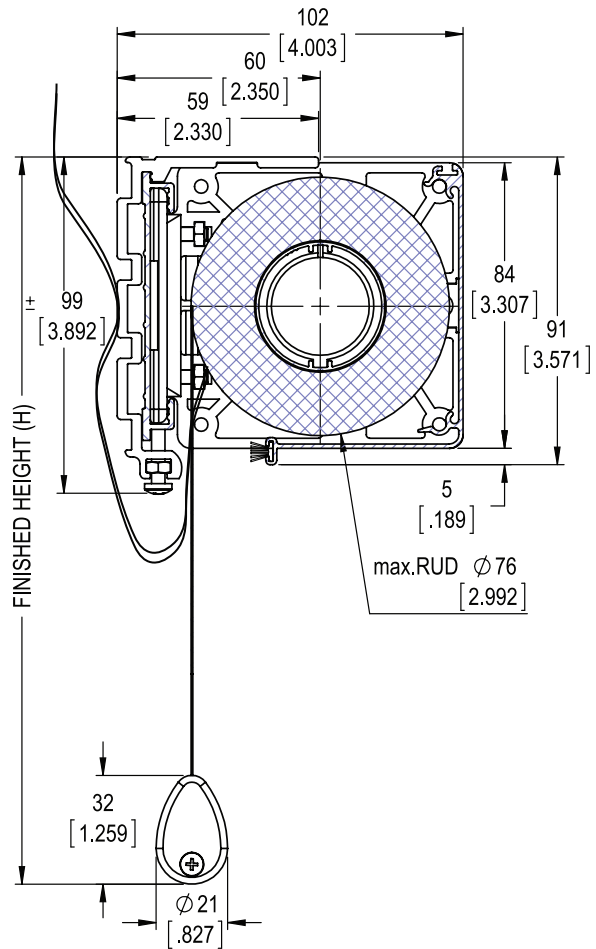
MOUNTING



MINIMUM CLEARANCE
REQUIRED FOR MOUNTING



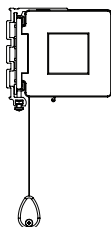
SECTION



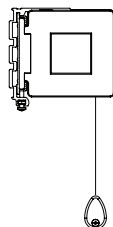
MODEL

MDL1-EM38-85-VS-UQM30

ROLL STYLE



REGULAR ROLL



REVERSE ROLL

NOTE: For size limitation guidelines, please refer to our Size Limitation Detail Sheets or contact our Technical Department.

MONTREAL

T: 800.363.5930

@: info@altex.ca

TORONTO

T: 888.836.6980

@: sales@altex.ca

VANCOUVER

T: 888.980.9899

@: servicewest@altex.ca

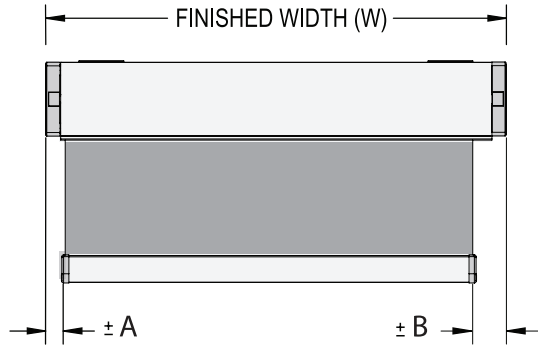


ALTEX[®]
SunProject™
line of products

MODULINE[®] ELEKTRA 105 ULTRA QUIET - 24VDC UQM 30 RTS /UQM 30 ILT MOTOR OPERATED ROLLER SYSTEMS



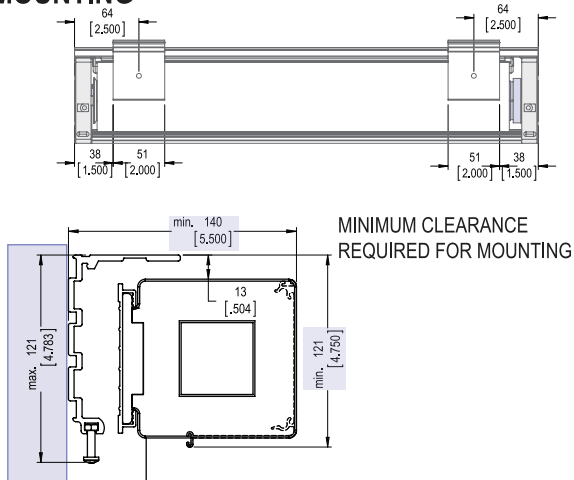
ELEVATION



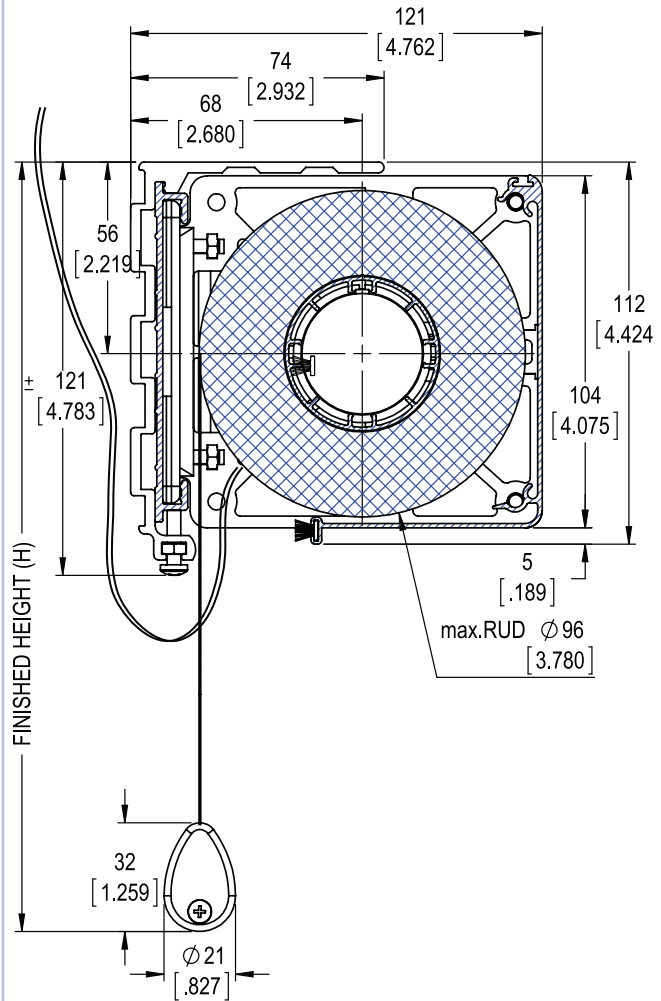
TOLERANCE +/- 1.5mm [0.0625"]
DIMENSIONS mm [inches]

DIMENSION	FABRIC EDGE CLEARANCE [±mm / ±in] BY TUBE TYPE									
	32		38		46		53		63	
A	n/a	n/a	22	0.875	22	0.875	22	0.875	n/a	n/a
B	n/a	n/a	29	1.125	29	1.125	29	1.125	n/a	n/a

MOUNTING



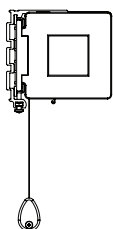
SECTION



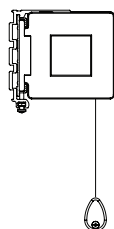
MODEL

MDL1-EM46-105-VS-UQM30

ROLL STYLE



REGULAR ROLL



REVERSE ROLL

NOTE: For size limitation guidelines, please refer to our Size Limitation Detail Sheets or contact our Technical Department.

MONTREAL

T: 800.363.5930

@: info@altex.ca

TORONTO

T: 888.836.6980

@: sales@altex.ca

VANCOUVER

T: 888.980.9899

@: servicewest@altex.ca



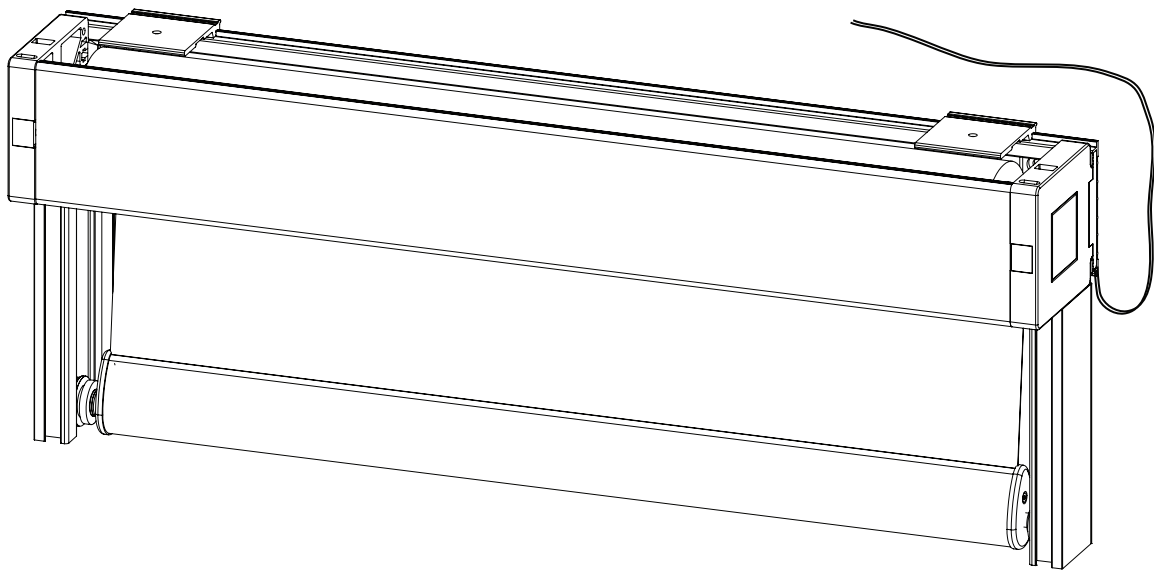
ALTEX[®]

SunProject™
line of products

MODULINE[®] ELEKTRA 85, 105 ULTRA QUIET - 24VDC
UQM 30 RTS /UQM 30 ILT MOTOR OPERATED ROLLER SYSTEMS



ELEKTRA	ULTRA QUIET MOTOR
WITH OR WITHOUT FASCIA 85, 105	
SHADE HOLDER: STANDARD	
MOTOR TYPE:	UQM 30 RTS - 24VDC
	UQM 30 ILT - 24VDC



MDL3-EM-85-VS-UQM30

WITH OR WITHOUT FASCIA 85

WITH OR WITHOUT FASCIA 105

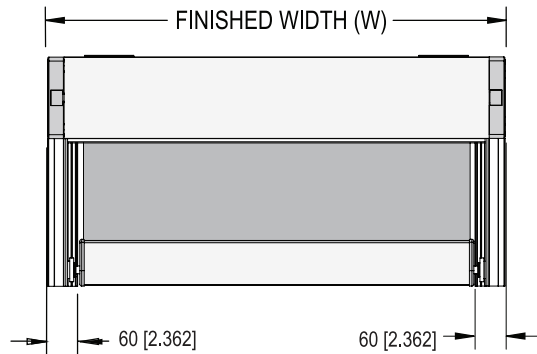


ALTEX[®]
SunProject™
line of products

MODULINE[®] ELEKTRA 85 ULTRA QUIET - 24VDC UQM 30 RTS /UQM 30 ILT MOTOR OPERATED ROLLER SYSTEMS

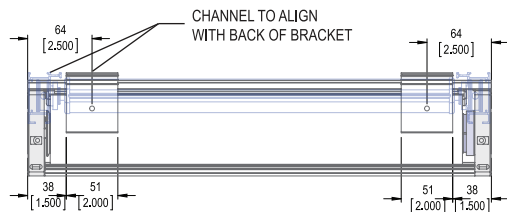


ELEVATION

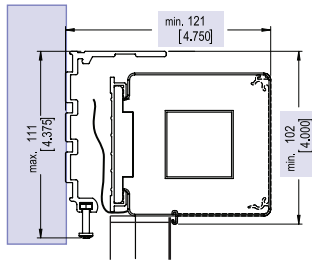


TOLERANCE +/- 1.5mm [0.0625"]
DIMENSIONS mm [inches]

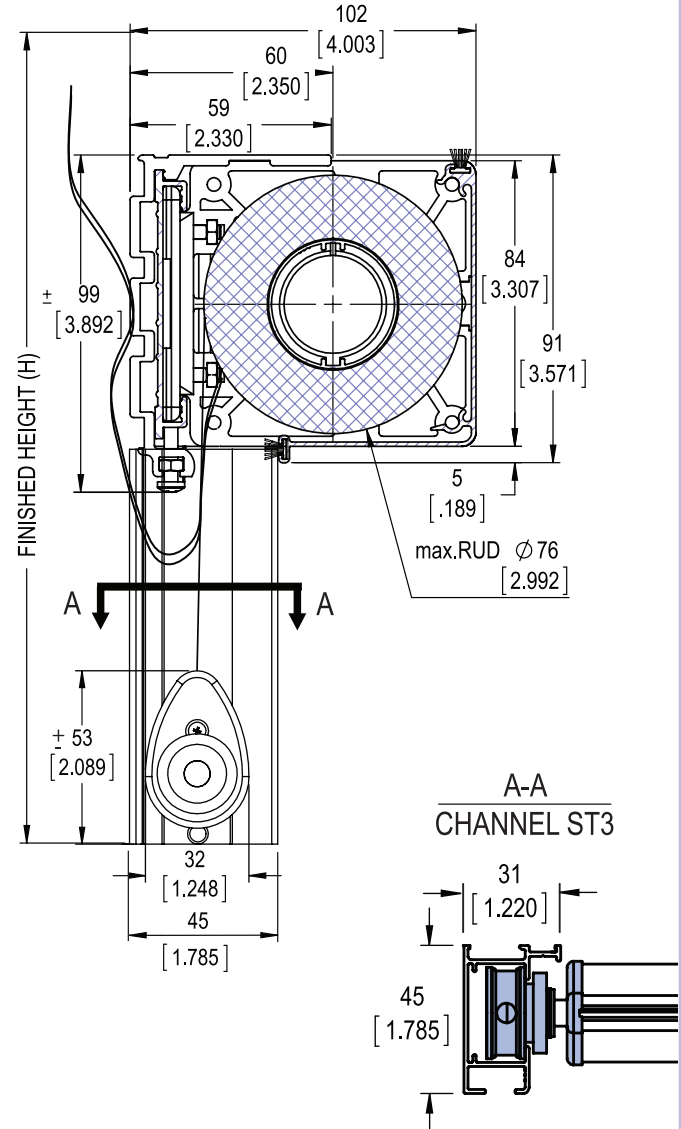
MOUNTING



MINIMUM CLEARANCE
REQUIRED FOR MOUNTING



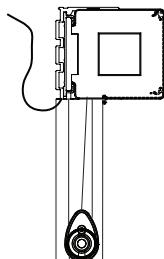
SECTION



MODEL

MDL3-EM-85-VS-UQM30

ROLL STYLE



REGULAR ROLL

*NOTE: For size limitation guidelines, please refer to our
Size Limitation Detail Sheets or contact our Technical Department.*

MONTREAL

T: 800.363.5930

@: info@altex.ca

TORONTO

T: 888.836.6980

@: sales@altex.ca

VANCOUVER

T: 888.980.9899

@: servicewest@altex.ca

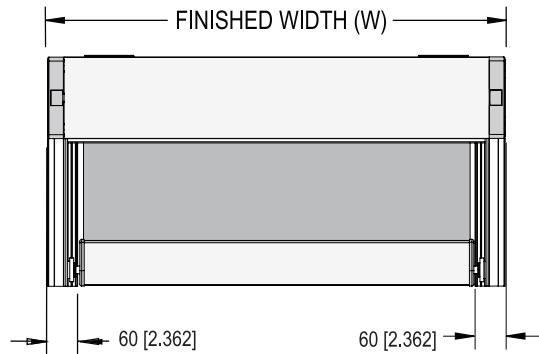


ALTEX[®]
SunProject™
line of products

MODULINE[®] ELEKTRA 105 ULTRA QUIET - 24VDC UQM 30 RTS /UQM 30 ILT MOTOR OPERATED ROLLER SYSTEMS

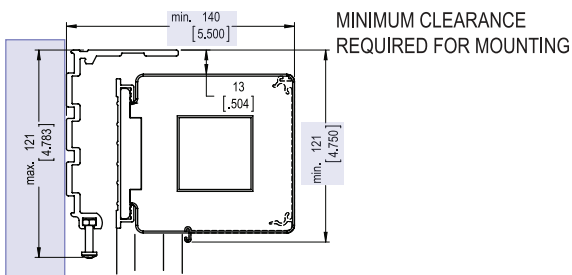
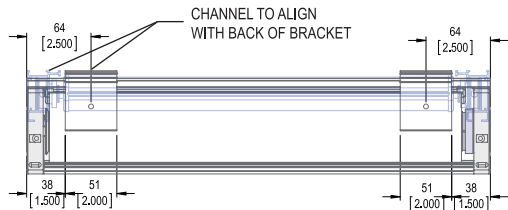


ELEVATION

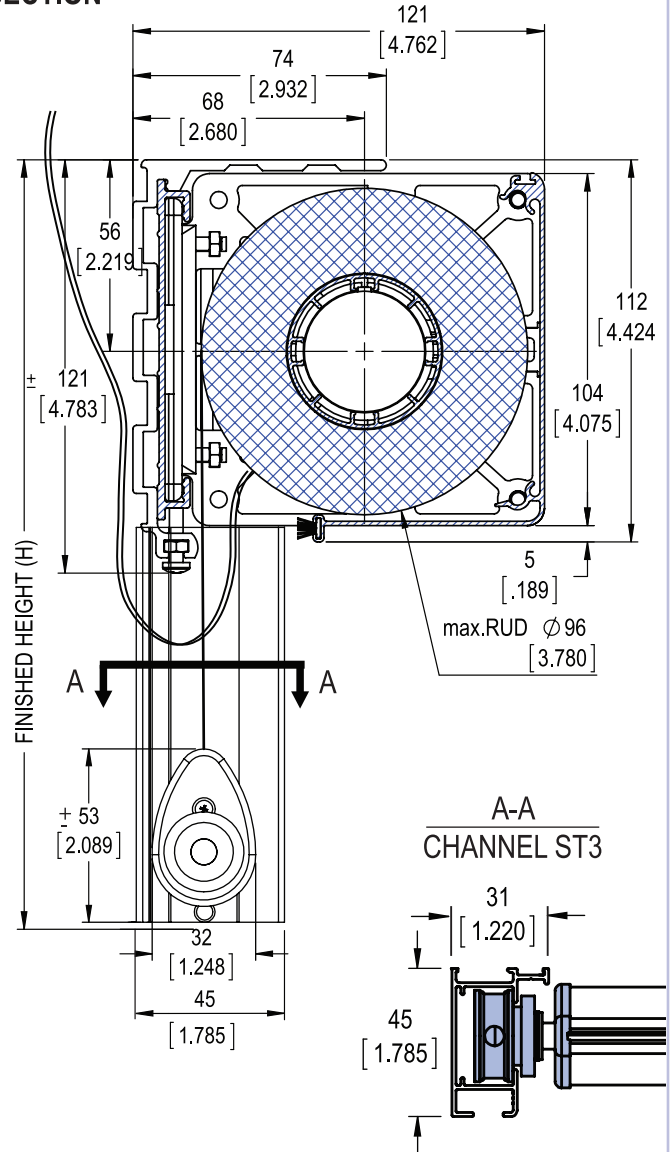


TOLERANCE +/- 1.5mm [0.0625"]
DIMENSIONS mm [inches]

MOUNTING



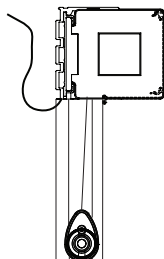
SECTION



MODEL

MDL3-EM46-105-VS-UQM30

ROLL STYLE



REGULAR ROLL

NOTE: For size limitation guidelines, please refer to our Size Limitation Detail Sheets or contact our Technical Department.

MONTREAL

T: 800.363.5930

@: info@altex.ca

TORONTO

T: 888.836.6980

@: sales@altex.ca

VANCOUVER

T: 888.980.9899

@: servicewest@altex.ca



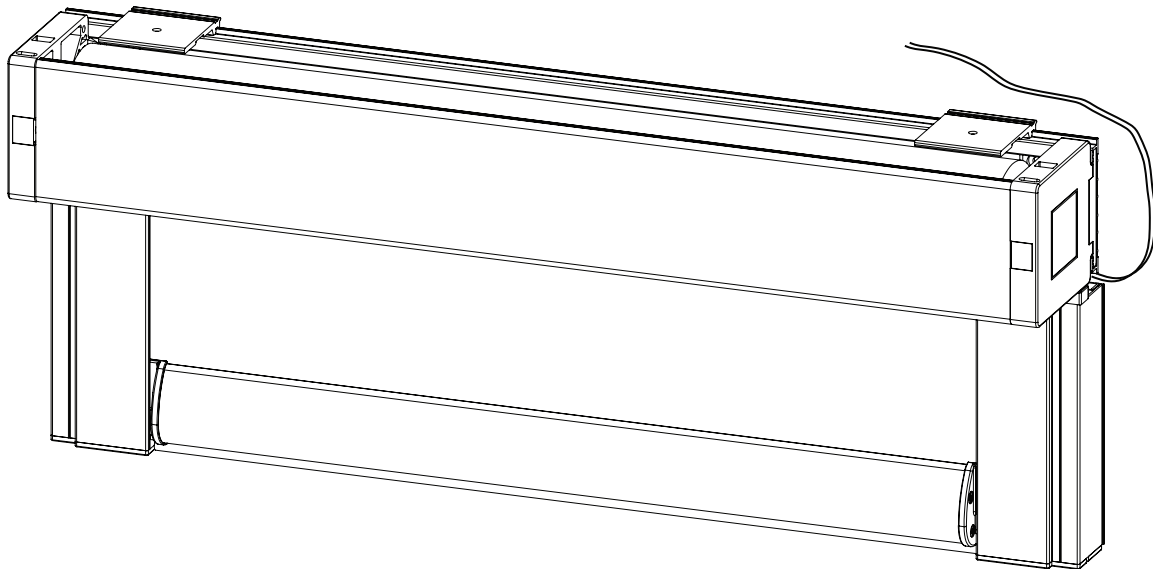
ALTEX[®]

SunProject™
line of products

MODULINE[®] ELEKTRA 85,105 ULTRA QUIET - 24VDC
UQM 30 RTS /UQM 30 ILT MOTOR OPERATED ROLLER SYSTEMS



ELEKTRA	ULTRA QUIET MOTOR
WITH OR WITHOUT FASCIA 85, 105	
SHADE HOLDER: STANDARD	
CHANNEL: T-460	
MOTOR TYPE:	UQM 30 RTS - 24VDC
	UQM 30 ILT - 24VDC



MDL4-EM-85-VS-UQM30

WITH OR WITHOUT FASCIA 85

MDL4-EM-105-VS-UQM30

WITH OR WITHOUT FASCIA 105

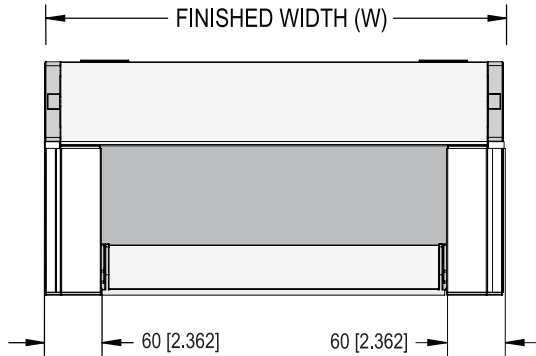


ALTEX[®]
SunProject™
line of products

MODULINE[®] ELEKTRA 85 ULTRA QUIET - 24VDC UQM 30 RTS /UQM 30 ILT MOTOR OPERATED ROLLER SYSTEMS

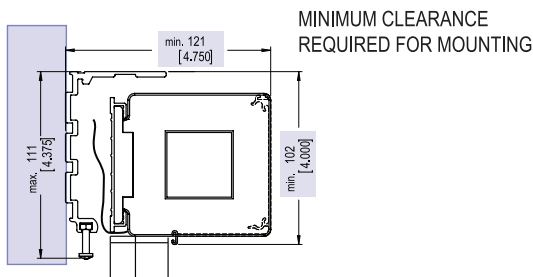
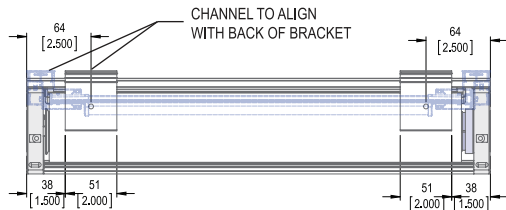


ELEVATION

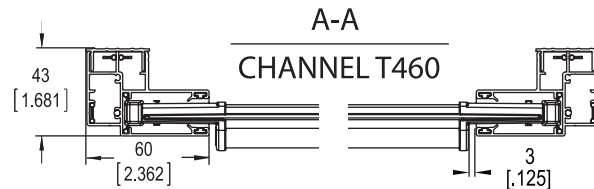
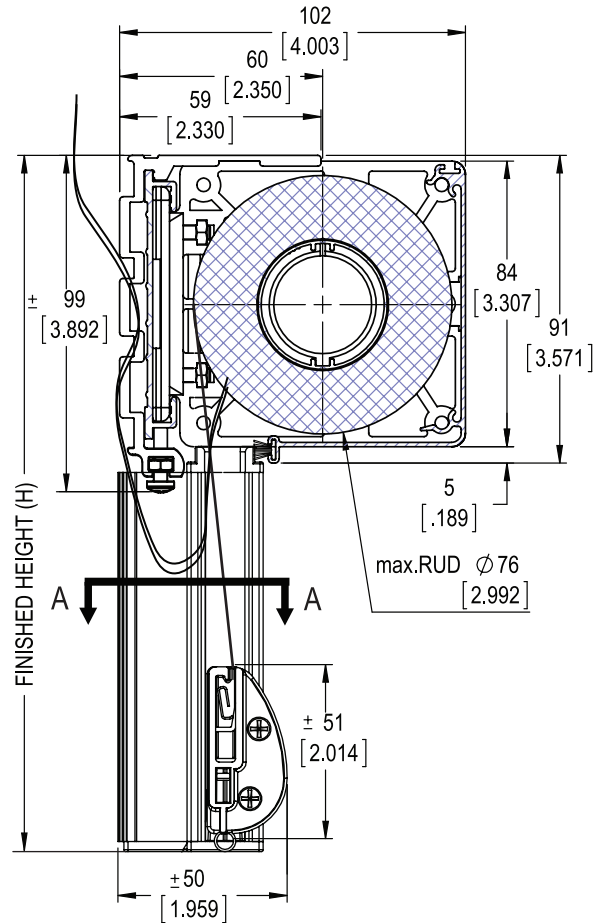


TOLERANCE +/- 1.5mm [0.0625"]
DIMENSIONS mm [inches]

MOUNTING

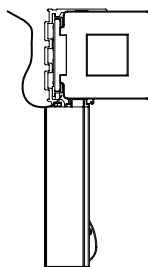


SECTION



MODEL MDL4-EM38-85-VS-UQM30

ROLL STYLE



REGULAR ROLL

NOTE: For size limitation guidelines, please refer to our
Size Limitation Detail Sheets or contact our Technical Department.

MONTREAL T: 800.363.5930 @: info@altex.ca	TORONTO T: 888.836.6980 @: sales@altex.ca	VANCOUVER T: 888.980.9899 @: servicewest@altex.ca
-------------------------------------------------	-------------------------------------------------	---------------------------------------------------------

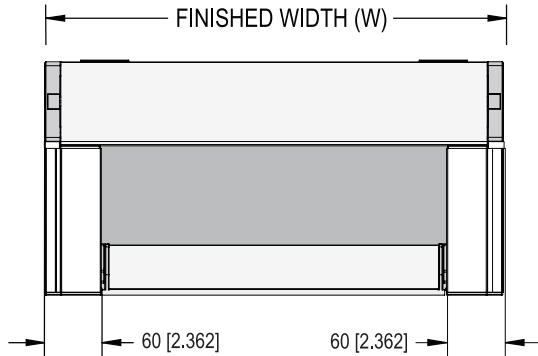


ALTEX[®]
SunProject™
line of products

MODULINE[®] ELEKTRA 105 ULTRA QUIET - 24VDC UQM 30 RTS /UQM 30 ILT MOTOR OPERATED ROLLER SYSTEMS

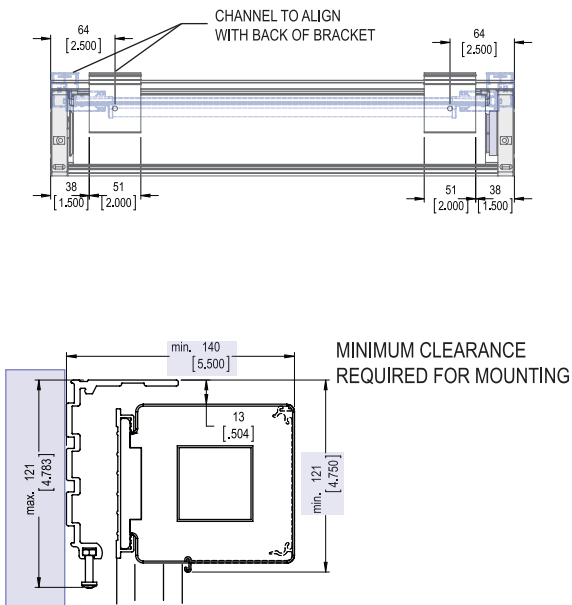


ELEVATION

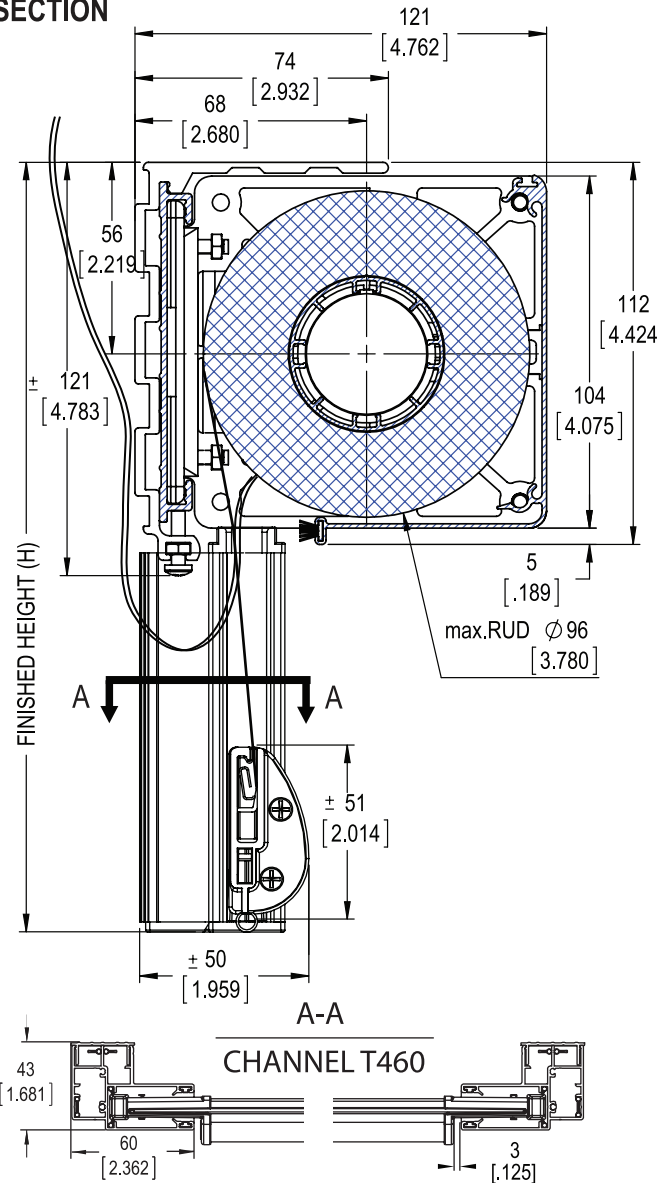


TOLERANCE +/- 1.5mm [0.0625"]
DIMENSIONS mm [inches]

MOUNTING

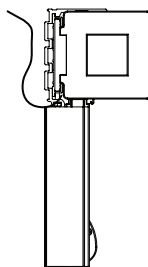


SECTION



MODEL MDL4-EM46-85-VS-UQM30

ROLL STYLE



REGULAR ROLL

NOTE: For size limitation guidelines, please refer to our Size Limitation Detail Sheets or contact our Technical Department.

MONTREAL T: 800.363.5930 @: info@altex.ca	TORONTO T: 888.836.6980 @: sales@altex.ca	VANCOUVER T: 888.980.9899 @: servicewest@altex.ca
--------------------------------------------------------	--------------------------------------------------------	----------------------------------------------------------------



ALTEX[®]
SunProject™
line of products

MODULINE[®] ELEKTRA TANDEM 85, 105 ULTRA QUIET 24VDC
UQM 30 RTS / UQM 30ILT MOTOR OPERATED ROLLER SYSTEMS



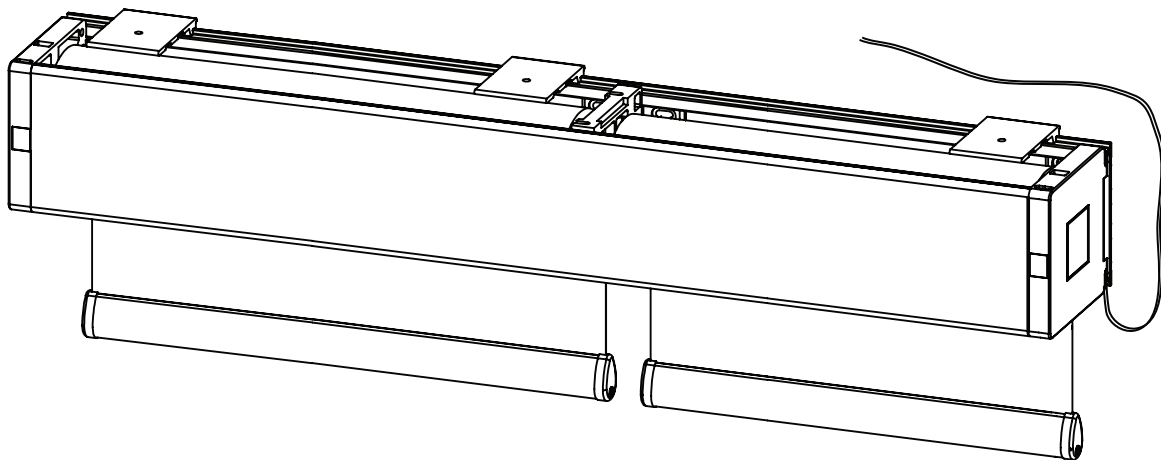
ELEKTRA ULTRA QUIET MOTOR

WITH OR WITHOUT FASCIA 85, 105

SHADE HOLDER: **STANDARD**

MOTOR TYPE: **UQM 30 RTS - 24VDC**

UQM 30 ILT - 24VDC



MULTIBANDS AVAILABLE IN:

2B

3B

2 BANDED SYSTEM SHOWN

MDL1-EM-85-VS - TANDEM

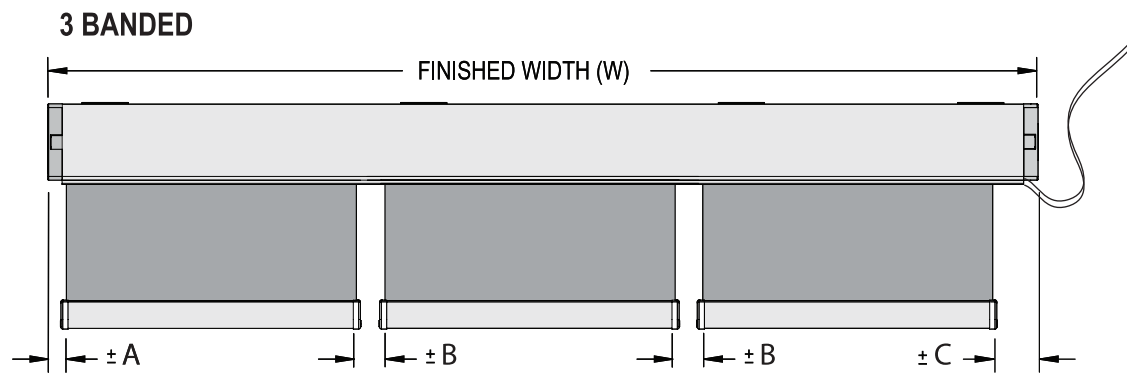
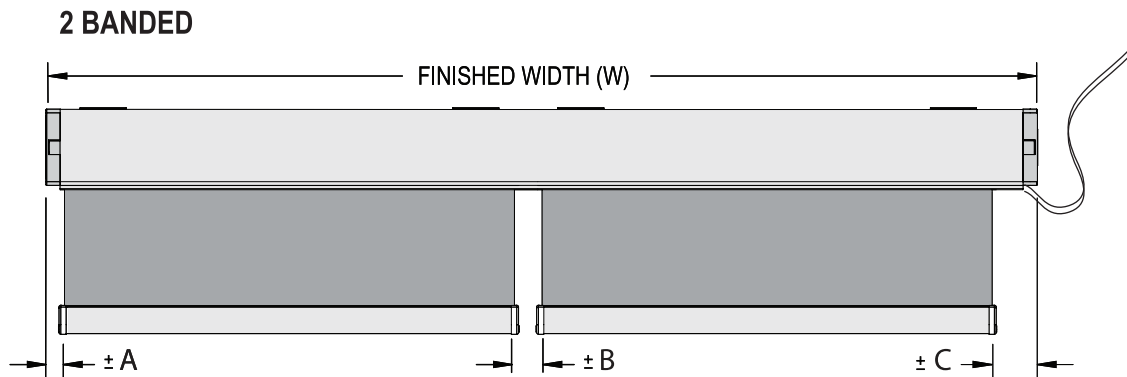
WITH OR WITHOUT FASCIA 85

MDL1-EM-105-VS - TANDEM

WITH OR WITHOUT FASCIA 105



AVAILABLE TANDEM OPTIONS



EDGE CLEARANCE	A	B	C
DIMENSION	±22 [0.875"]	±44 [1.732"]	±29 [1.125"]

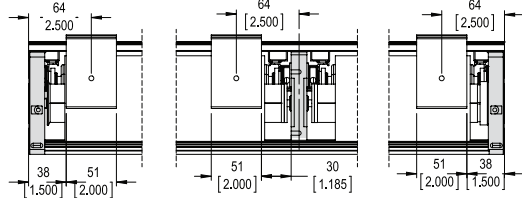


ALTEX[®]
SunProject™
line of products

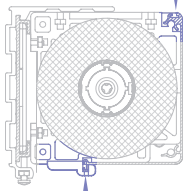
MODULINE[®] ELEKTRA TANDEM 85 ULTRA QUIET 24VDC UQM 30 RTS / UQM 30ILT MOTOR OPERATED ROLLER SYSTEMS



MOUNTING

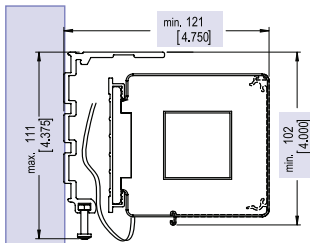


MIDDLE BRACKET



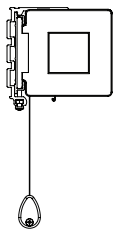
FASCIA TO ENGAGE
AT THE TOP OF MIDDLE
BRACKET AS SHOWN

SECURE FASCIA
AT EACH MIDDLE BRACKET
WITH SAFETY CLIP

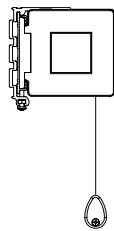


MINIMUM CLEARANCE
REQUIRED FOR MOUNTING

ROLL STYLE

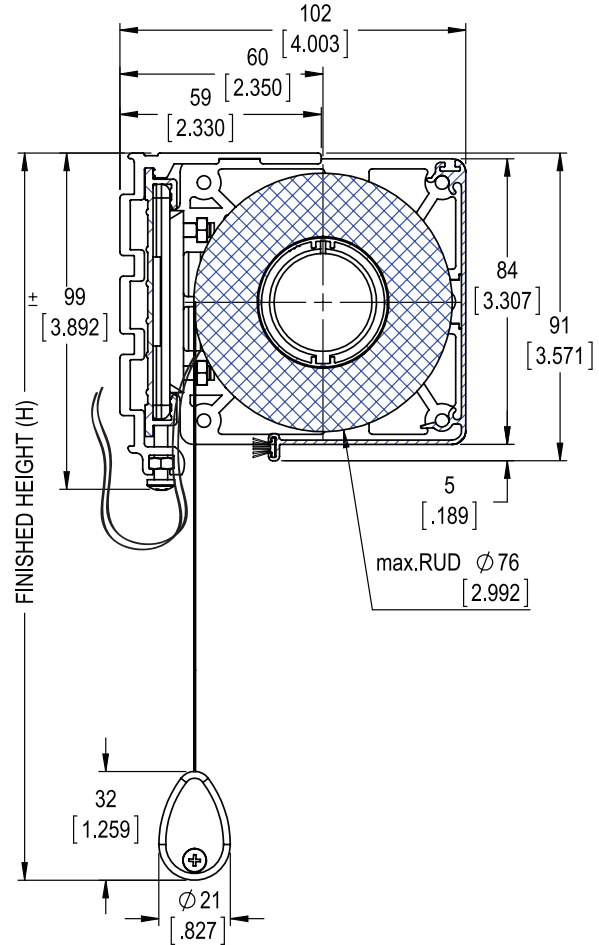


REGULAR ROLL



REVERSE ROLL

SECTION



MODEL

MDL1-EM38-85-VS-UQM30-TANDEM

*NOTE: For size limitation guidelines, please refer to our
Size Limitation Detail Sheets or contact our Technical Department.*

MONTREAL
T: 800.363.5930
@: info@altex.ca

TORONTO
T: 888.836.6980
@: sales@altex.ca

VANCOUVER
T: 888.980.9899
@: servicewest@altex.ca

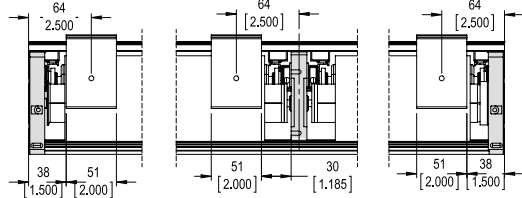


ALTEX[®]
SunProject™
line of products

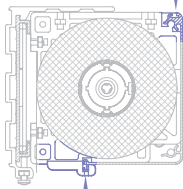
MODULINE[®] ELEKTRA TANDEM 105 ULTRA QUIET 24VDC UQM 30 RTS / UQM 30ILT MOTOR OPERATED ROLLER SYSTEMS



MOUNTING

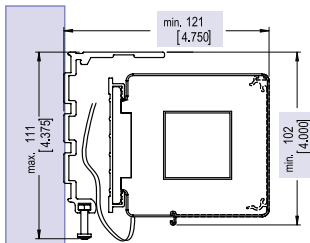


MIDDLE BRACKET



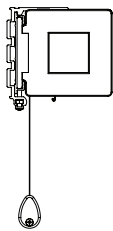
FASCIA TO ENGAGE
AT THE TOP OF MIDDLE
BRACKET AS SHOWN

SECURE FASCIA
AT EACH MIDDLE BRACKET
WITH SAFETY CLIP

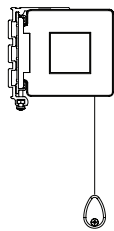


MINIMUM CLEARANCE
REQUIRED FOR MOUNTING

ROLL STYLE

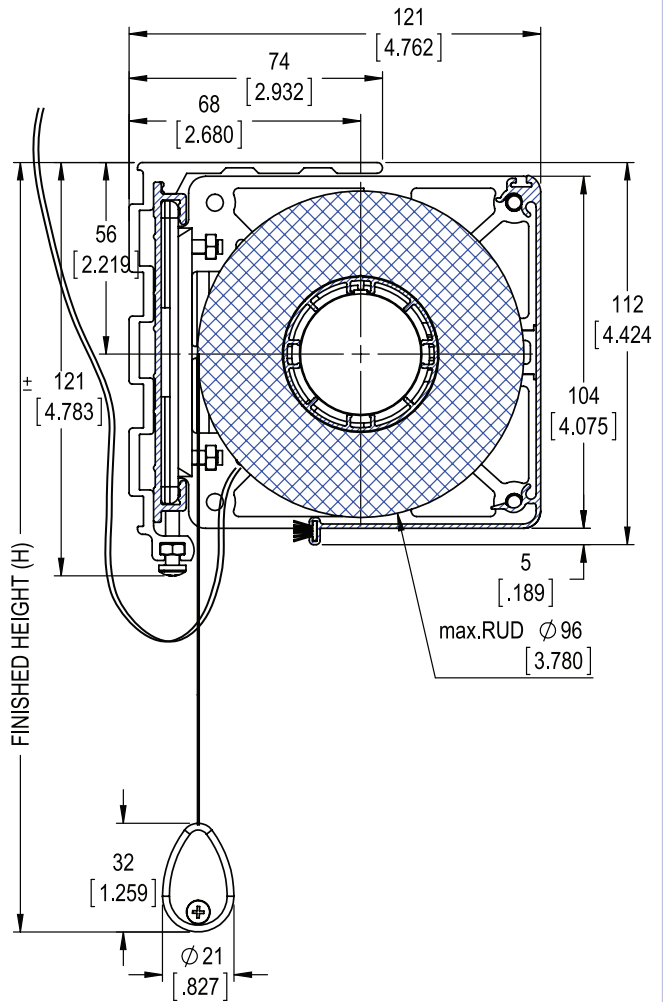


REGULAR ROLL



REVERSE ROLL

SECTION



FINISHED HEIGHT (H)

MODEL

MDL1-EM46-105-VS-UQM30-TANDEM

*NOTE: For size limitation guidelines, please refer to our
Size Limitation Detail Sheets or contact our Technical Department.*

MONTREAL
T: 800.363.5930
@: info@altex.ca

TORONTO
T: 888.836.6980
@: sales@altex.ca

VANCOUVER
T: 888.980.9899
@: servicewest@altex.ca



ALTEX[®]
SunProject™
line of products

MODULINE[®] ELEKTRA TANDEM 85, 105 ULTRA QUIET 24VDC
UQM 30 RTS / UQM 30ILT MOTOR OPERATED ROLLER SYSTEMS



ELEKTRA ULTRA QUIET MOTOR

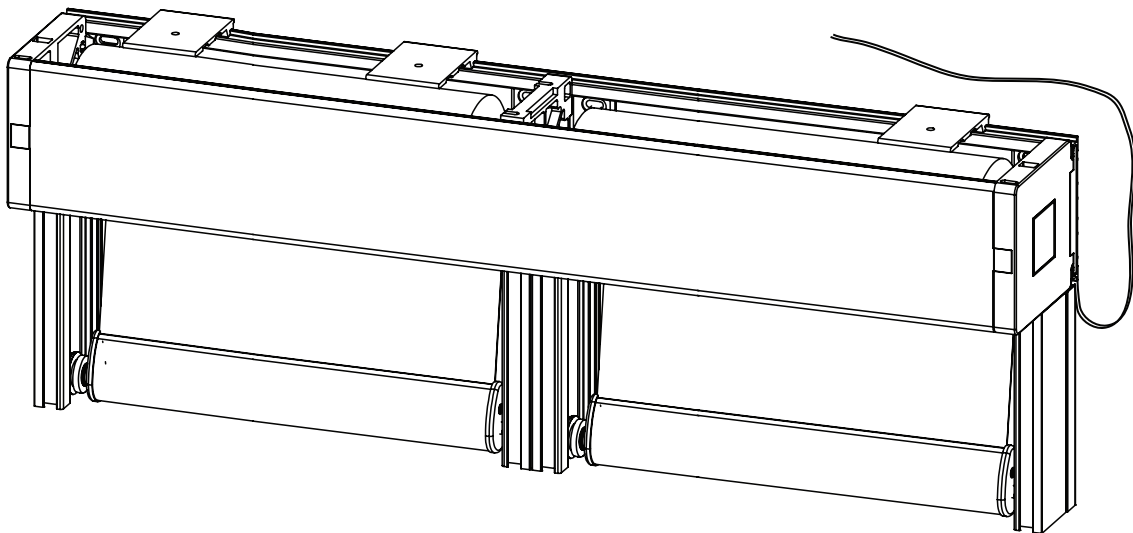
WITH OR WITHOUT FASCIA 85, 105

SHADE HOLDER: **STANDARD**

CHANNEL: **ST-3**

MOTOR TYPE: **UQM 30 RTS - 24VDC**

UQM 30 ILT - 24VDC



MULTIBANDS AVAILABLE IN:

2B

3B

2 BANDED SYSTEM SHOWN

MD3-EM-85-VS - TANDEM

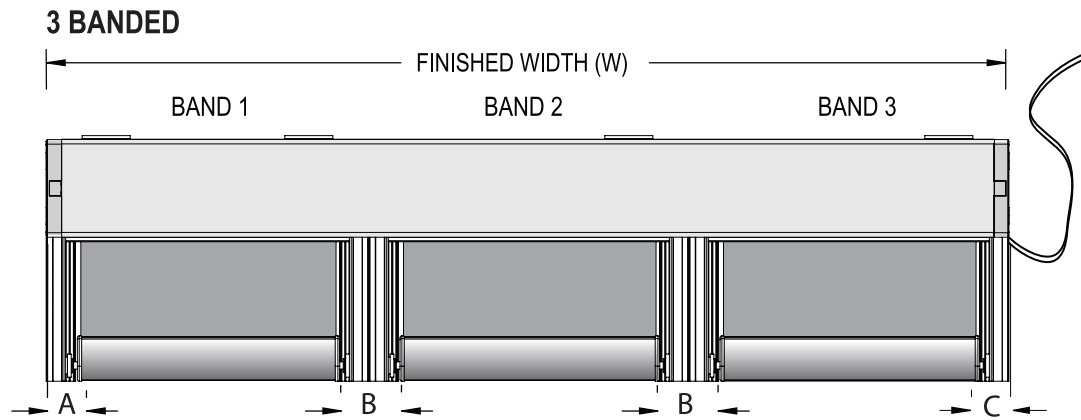
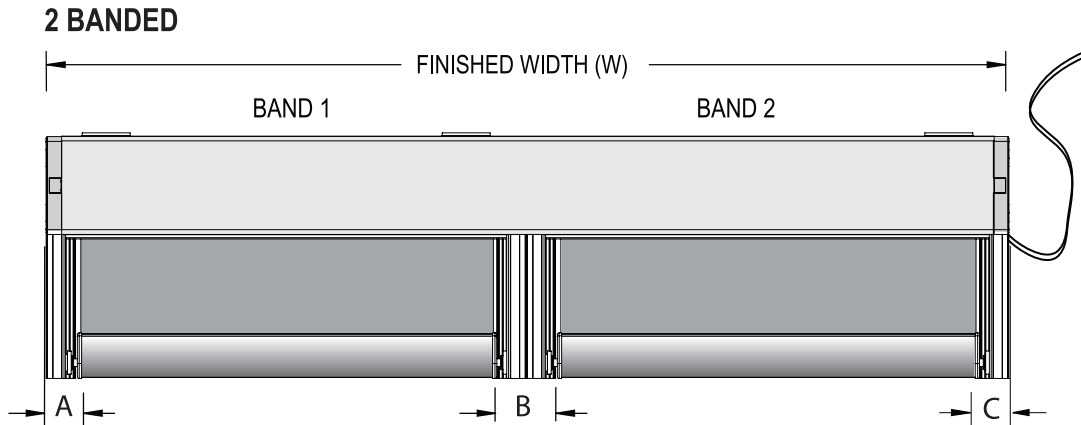
WITH OR WITHOUT FASCIA 85

MD3-EM-105-VS - TANDEM

WITH OR WITHOUT FASCIA 105



AVAILABLE TANDEM OPTIONS

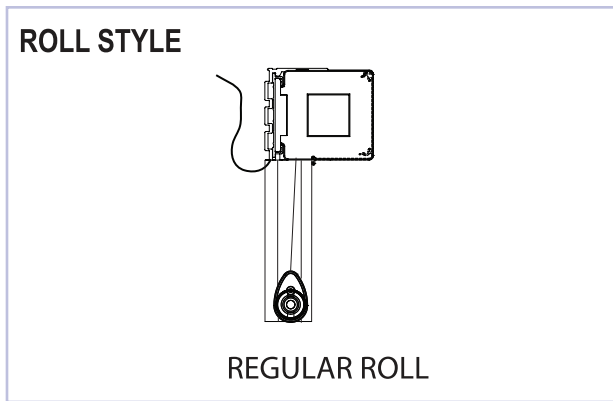
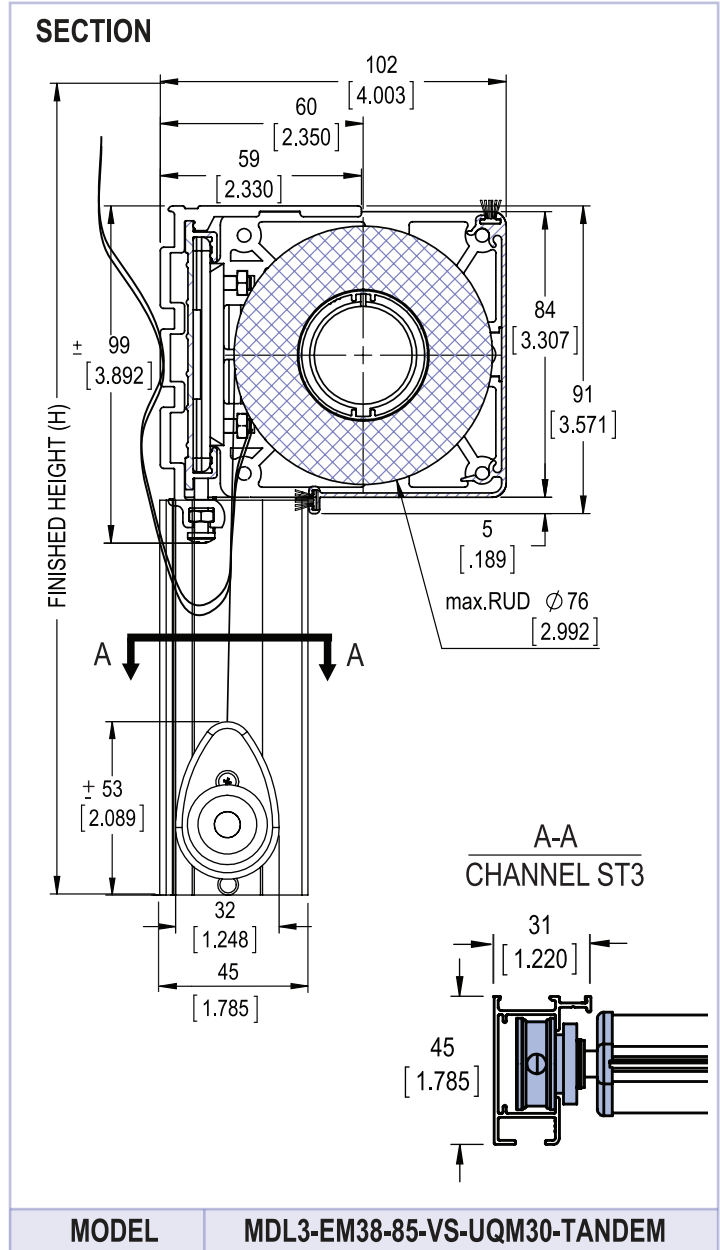
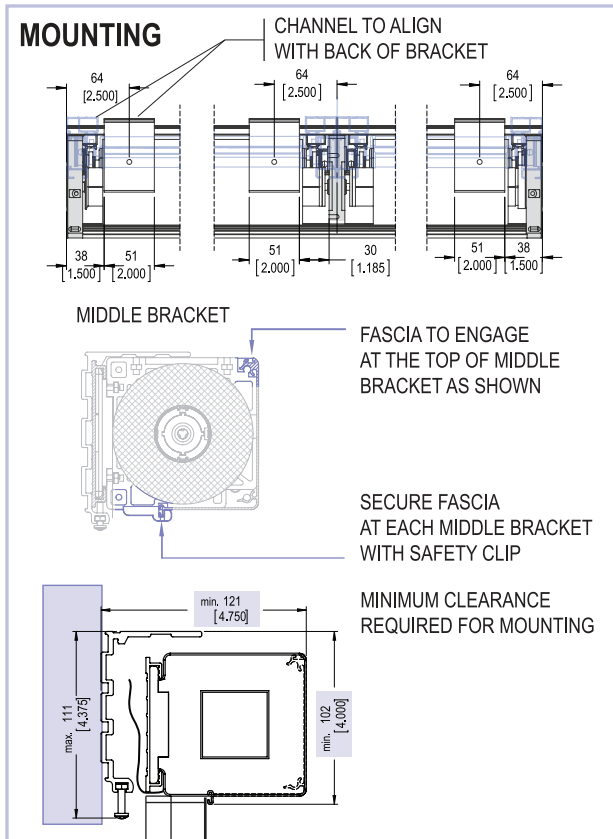


	A	B	C
CHANNEL	ST3	2 x ST3	ST3
DIMENSION	± 31 [1.220"]	± 62 [2.441"]	± 31 [1.220"]



ALTEX[®]
SunProject™
line of products

MODULINE[®] ELEKTRA TANDEM 85 ULTRA QUIET 24VDC UQM 30 RTS / UQM 30ILT MOTOR OPERATED ROLLER SYSTEMS



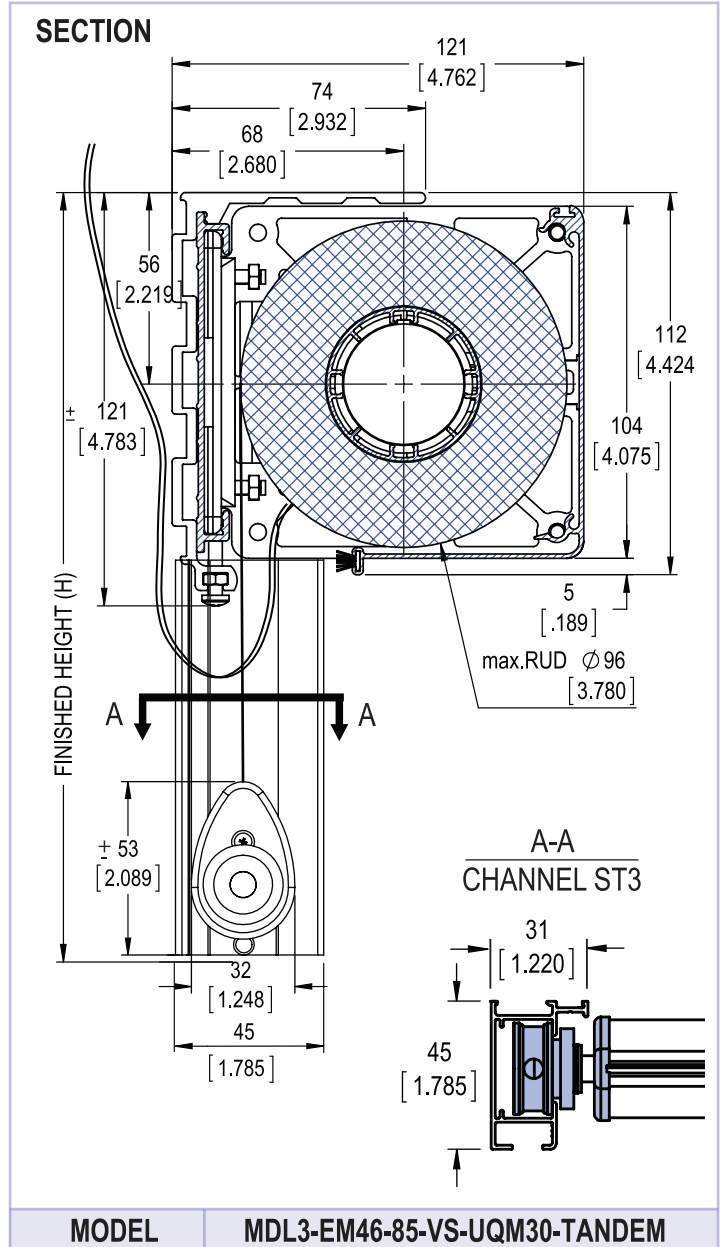
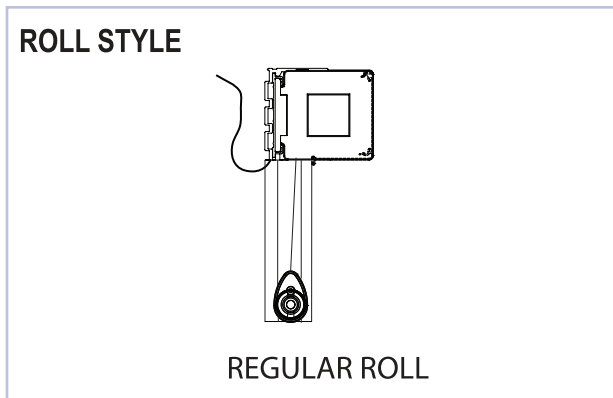
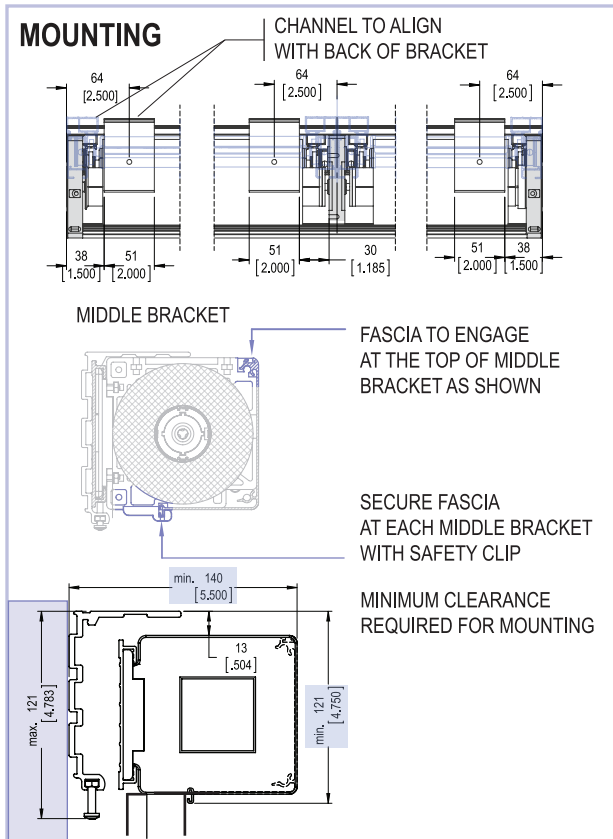
NOTE: For size limitation guidelines, please refer to our Size Limitation Detail Sheets or contact our Technical Department.

MONTREAL T: 800.363.5930 @: info@altex.ca	TORONTO T: 888.836.6980 @: sales@altex.ca	VANCOUVER T: 888.980.9899 @: servicewest@altex.ca
-------------------------------------------------	-------------------------------------------------	---------------------------------------------------------



ALTEX[®]
SunProject™
line of products

MODULINE[®] ELEKTRA TANDEM 105 ULTRA QUIET 24VDC UQM 30 RTS / UQM 30ILT MOTOR OPERATED ROLLER SYSTEMS



NOTE: For size limitation guidelines, please refer to our Size Limitation Detail Sheets or contact our Technical Department.

MONTREAL T: 800.363.5930 @: info@altex.ca	TORONTO T: 888.836.6980 @: sales@altex.ca	VANCOUVER T: 888.980.9899 @: servicewest@altex.ca
-------------------------------------------------	-------------------------------------------------	---------------------------------------------------------



ALTEX[®]
SunProject™
line of products

MODULINE[®] ELEKTRA TANDEM 85, 105 ULTRA QUIET 24VDC
UQM 30 RTS / UQM 30ILT MOTOR OPERATED ROLLER SYSTEMS



ELEKTRA ULTRA QUIET MOTOR

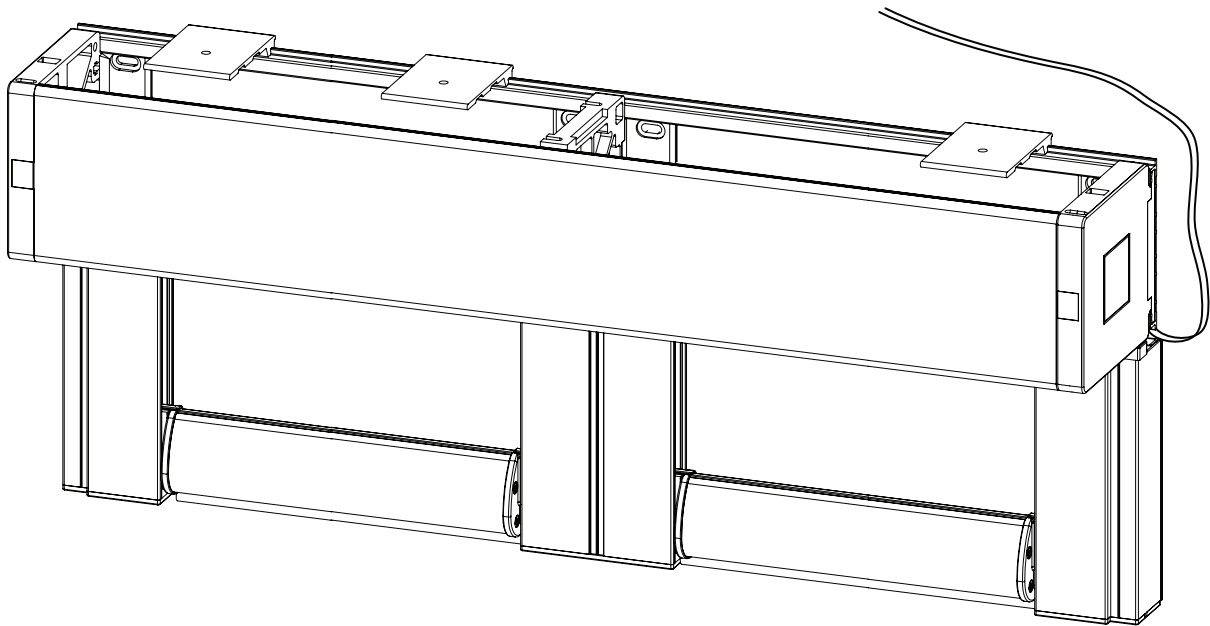
WITH OR WITHOUT FASCIA 85, 105

SHADE HOLDER: STANDARD

CHANNEL: T-460

MOTOR TYPE: UQM 30 RTS - 24VDC

UQM 30 ILT - 24VDC



MULTIBANDS AVAILABLE IN:

2B

3B

2 BANDED SYSTEM SHOWN

MDL4-EM-85-VS - TANDEM

WITH OR WITHOUT FASCIA 85

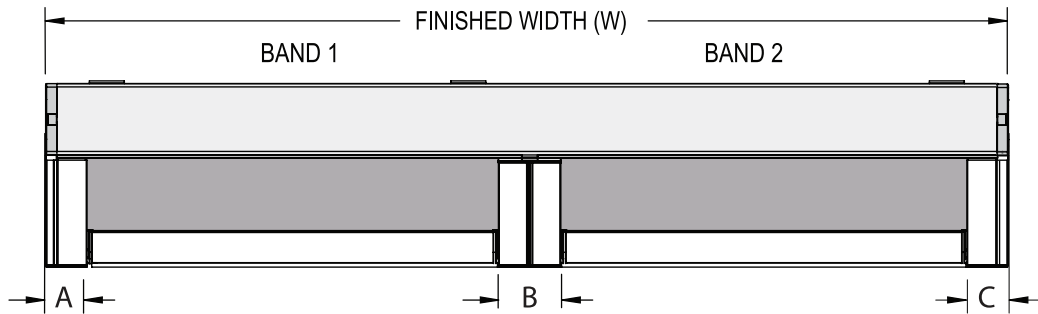
MDL4-EM-105-VS - TANDEM

WITH OR WITHOUT FASCIA 105

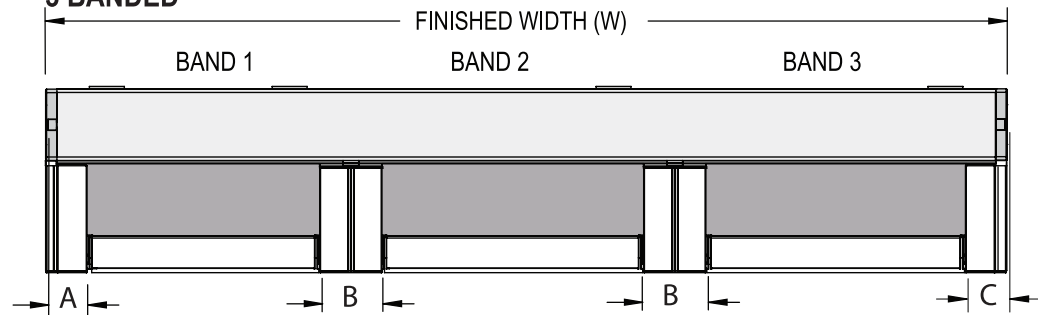


AVAILABLE TANDEM OPTIONS

2 BANDED

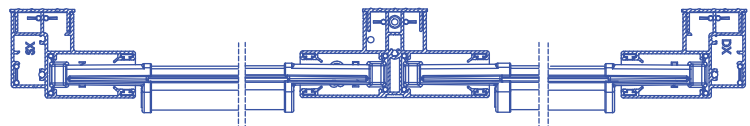


3 BANDED



CHANNEL	A	B	C
	T-460	T-490	T-460
	± 60 [2.362"]	± 90 [3.543"]	± 60 [2.362"]

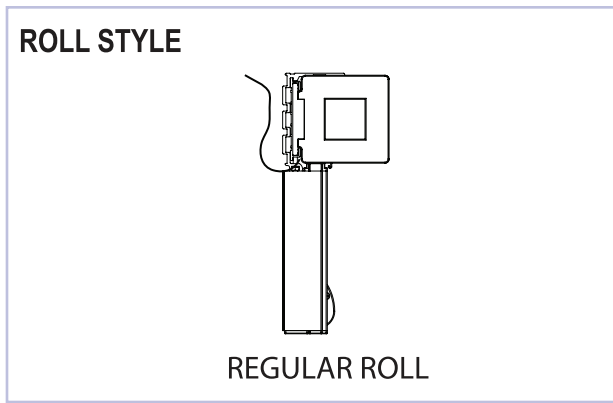
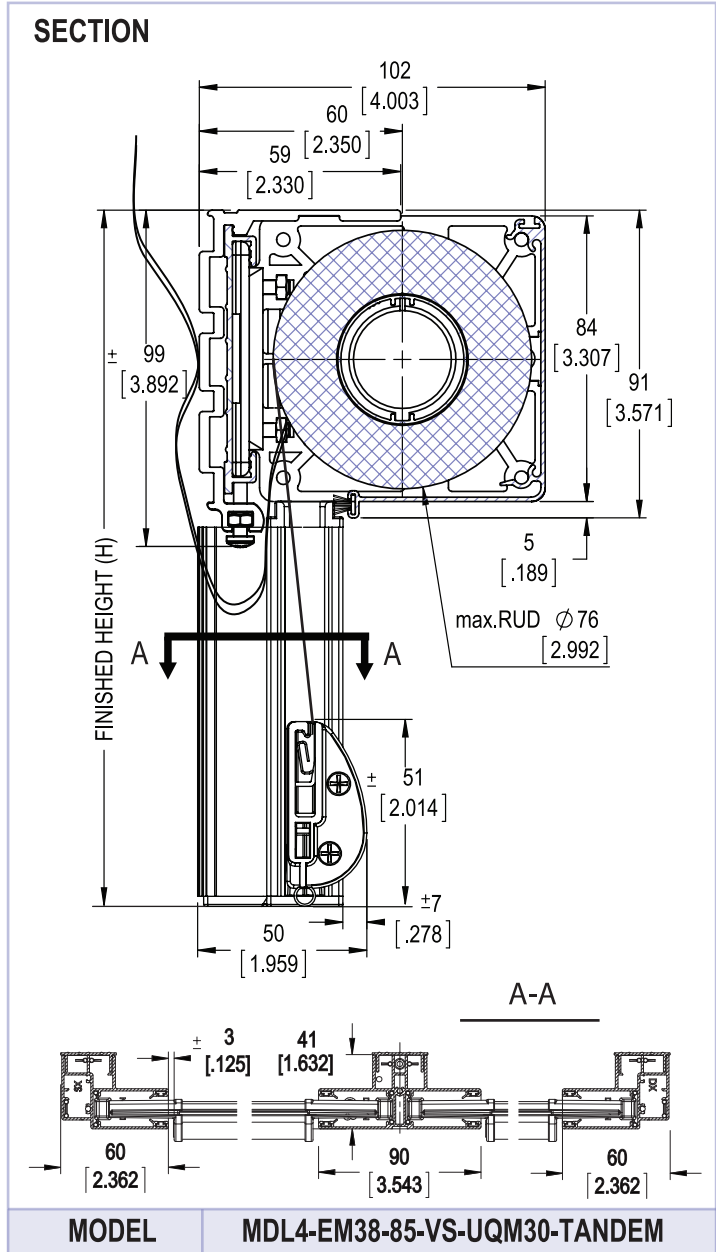
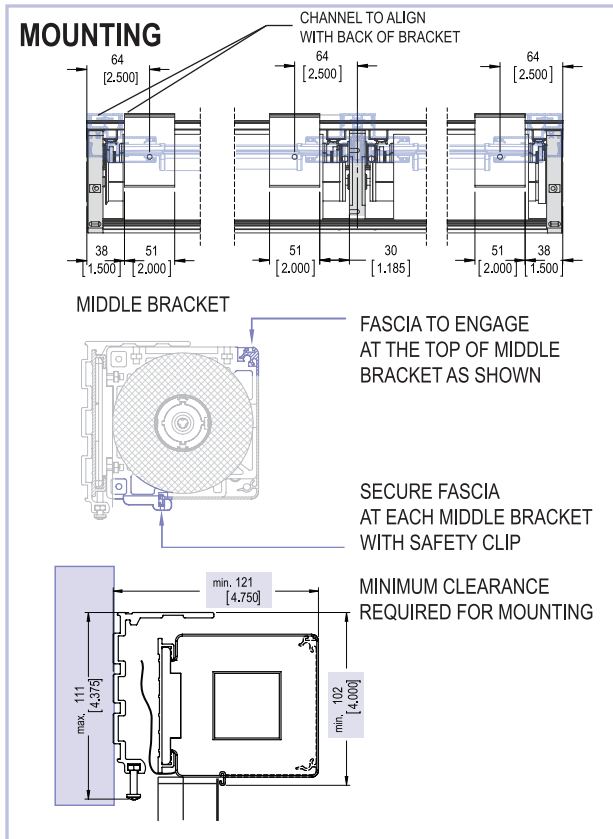
DIMENSION





ALTEX[®]
SunProject™
line of products

MODULINE[®] ELEKTRA TANDEM 85 ULTRA QUIET 24VDC UQM 30 RTS / UQM 30ILT MOTOR OPERATED ROLLER SYSTEMS



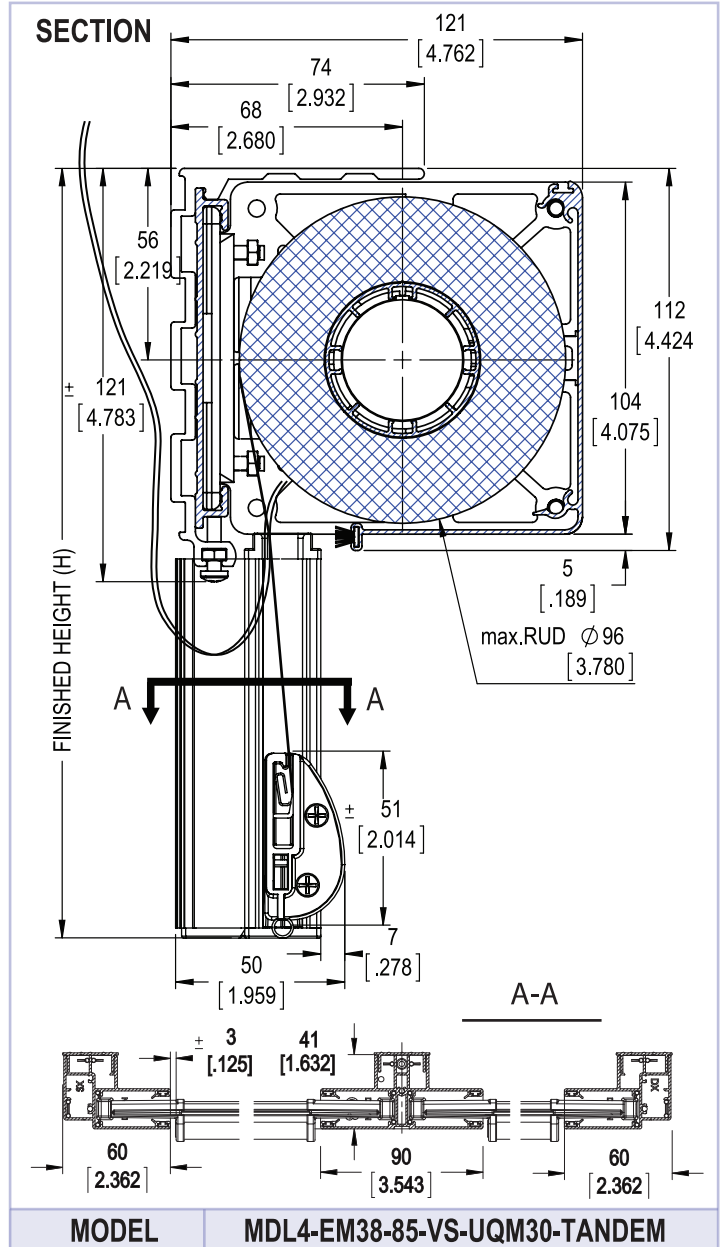
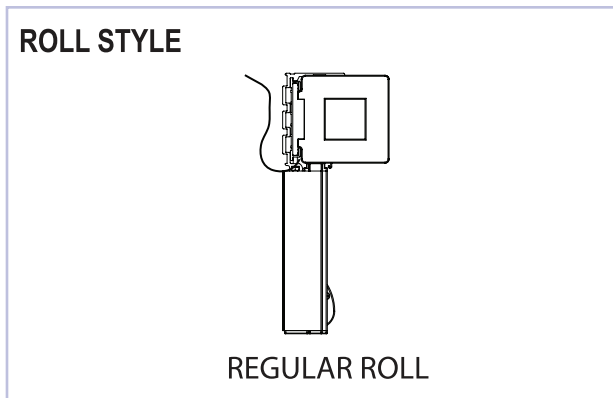
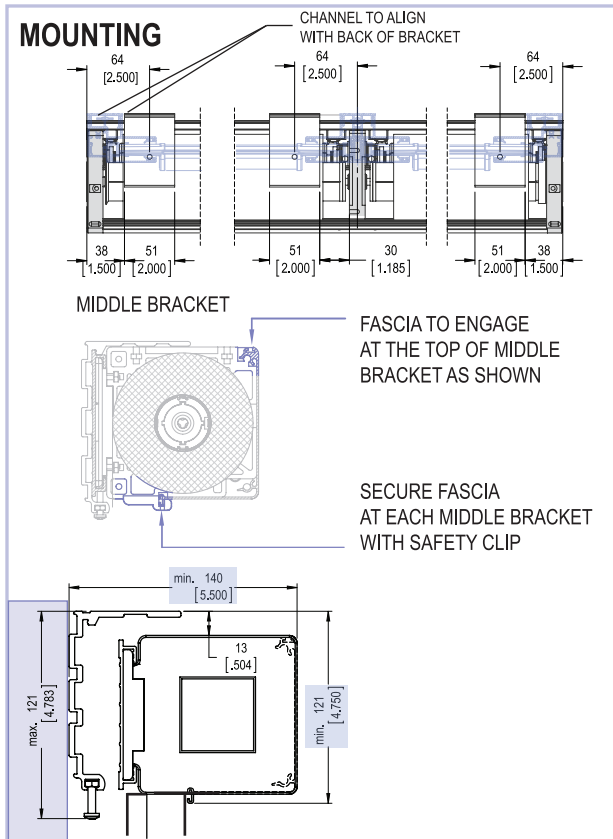
NOTE: For size limitation guidelines, please refer to our Size Limitation Detail Sheets or contact our Technical Department.

MONTREAL T: 800.363.5930 @: info@altex.ca	TORONTO T: 888.836.6980 @: sales@altex.ca	VANCOUVER T: 888.980.9899 @: servicewest@altex.ca
-------------------------------------------------	-------------------------------------------------	---------------------------------------------------------



ALTEX[®]
SunProject™
line of products

MODULINE[®] ELEKTRA TANDEM 105 ULTRA QUIET 24VDC UQM 30 RTS / UQM 30ILT MOTOR OPERATED ROLLER SYSTEMS



NOTE: For size limitation guidelines, please refer to our Size Limitation Detail Sheets or contact our Technical Department.

MONTREAL
T: 800.363.5930
@: info@altex.ca

TORONTO
T: 888.836.6980
@: sales@altex.ca

VANCOUVER
T: 888.980.9899
@: servicewest@altex.ca



ALTEX[®]
SunProject™
line of products

MODULINE[®] ELEKTRA 85,105 ULTRA QUIET - 120VAC
UQM 40 / UQM 40 RTS MOTOR OPERATED ROLLER SYSTEMS



ELEKTRA ULTRA QUIET MOTOR

WITH OR WITHOUT FASCIA 85, 105

SHADE HOLDER: **STANDARD**

MOTOR TYPE: **UQM 40 - 120VAC**

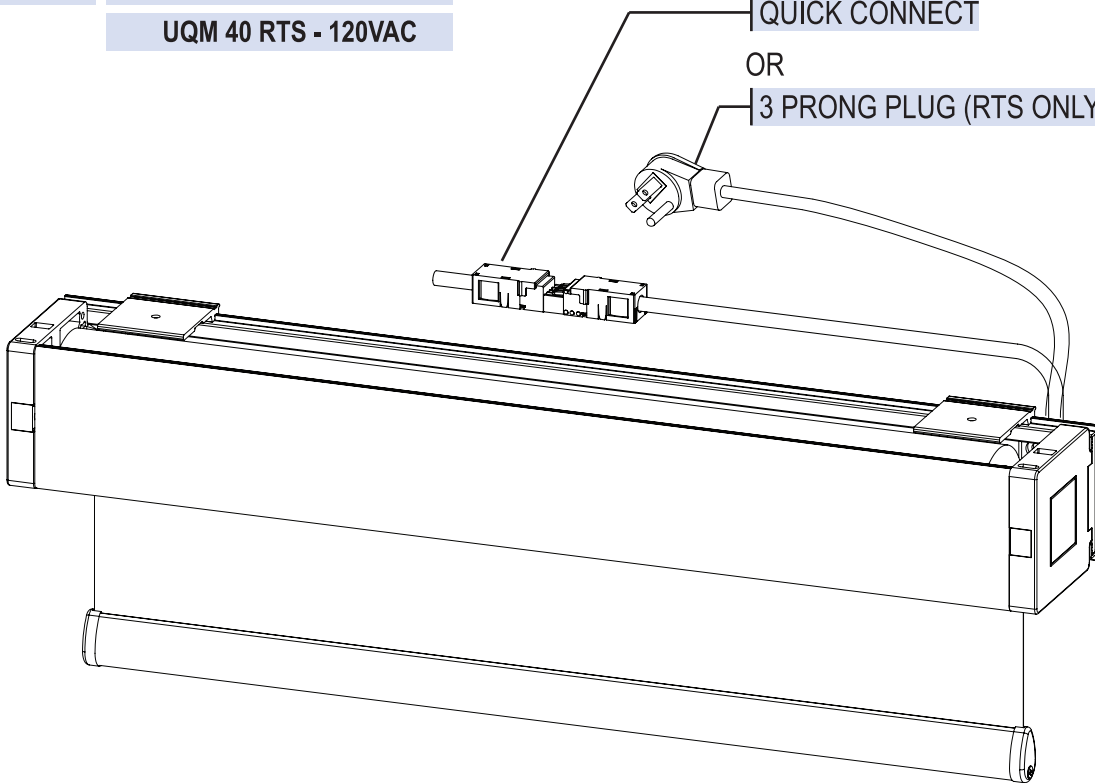
UQM 40 RTS - 120VAC

AVAILABLE IN :

QUICK CONNECT

OR

3 PRONG PLUG (RTS ONLY)



MDL1-EM-85-UQM 40/UQM 40RTS

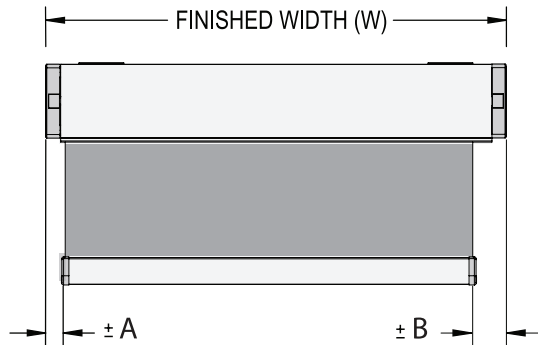
WITH OR WITHOUT FASCIA 85

MDL1-EM-105-UQM 40/UQM 40RTS

WITH OR WITHOUT FASCIA 105



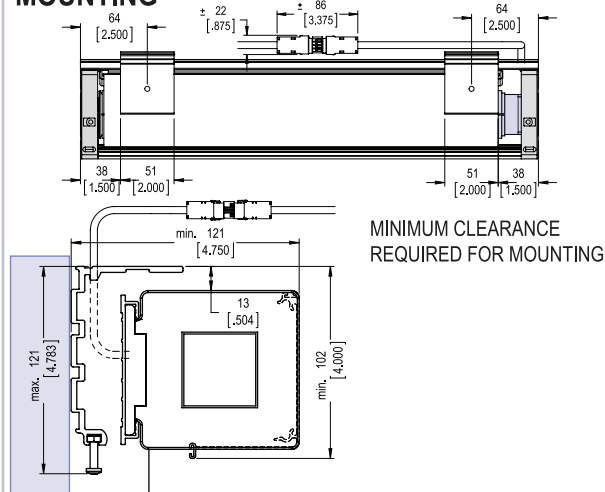
ELEVATION



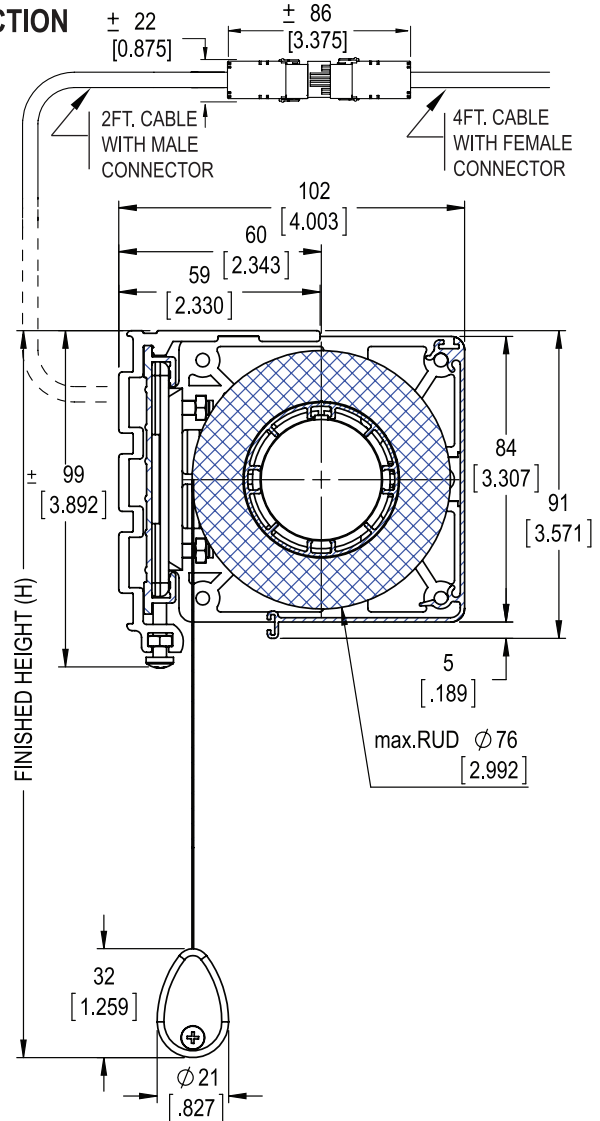
TOLERANCE +/- 1.5mm [0.0625"]
DIMENSIONS mm [inches]

DIMENSION	FABRIC EDGE CLEARANCE [±mm / ±in] BY TUBE TYPE									
	32		38		46		53		63	
A	n/a	n/a	n/a	n/a	22	0.875	22	0.875	n/a	n/a
B	n/a	n/a	n/a	n/a	38	1.500	38	1.500	n/a	n/a

MOUNTING

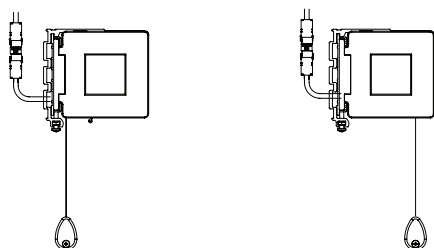


SECTION



MODEL MDL1-EM46-85-VS-UQM40/UQM40RTS

ROLL STYLE



REGULAR ROLL

REVERSE ROLL

NOTE: For size limitation guidelines, please refer to our Size Limitation Detail Sheets or contact our Technical Department.

MONTREAL T: 800.363.5930 @: info@altex.ca	TORONTO T: 888.836.6980 @: sales@altex.ca	VANCOUVER T: 888.980.9899 @: servicewest@altex.ca
--------------------------------------------------------	--------------------------------------------------------	----------------------------------------------------------------

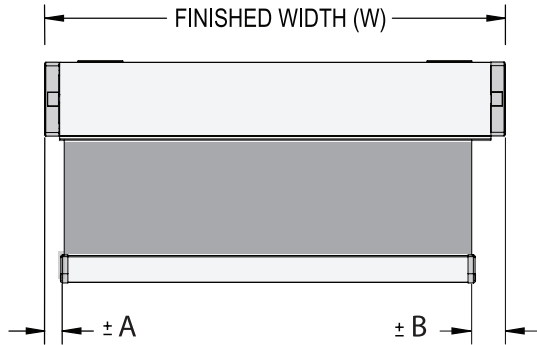


ALTEX[®]
SunProject™
line of products

MODULINE[®] ELEKTRA 105 ULTRA QUIET - 120VAC UQM 40 / UQM 40 RTS MOTOR OPERATED ROLLER SYSTEMS

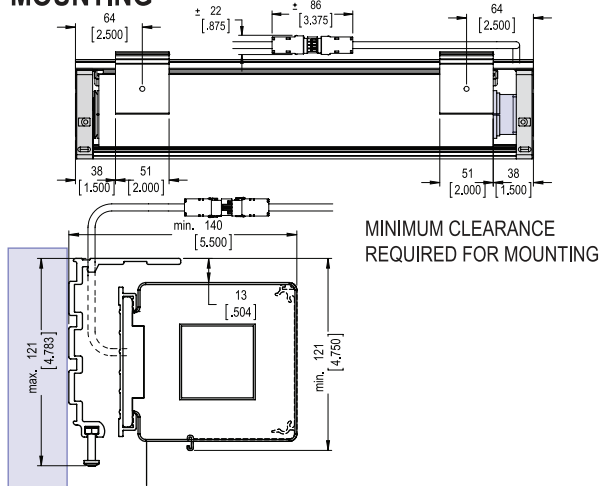


ELEVATION

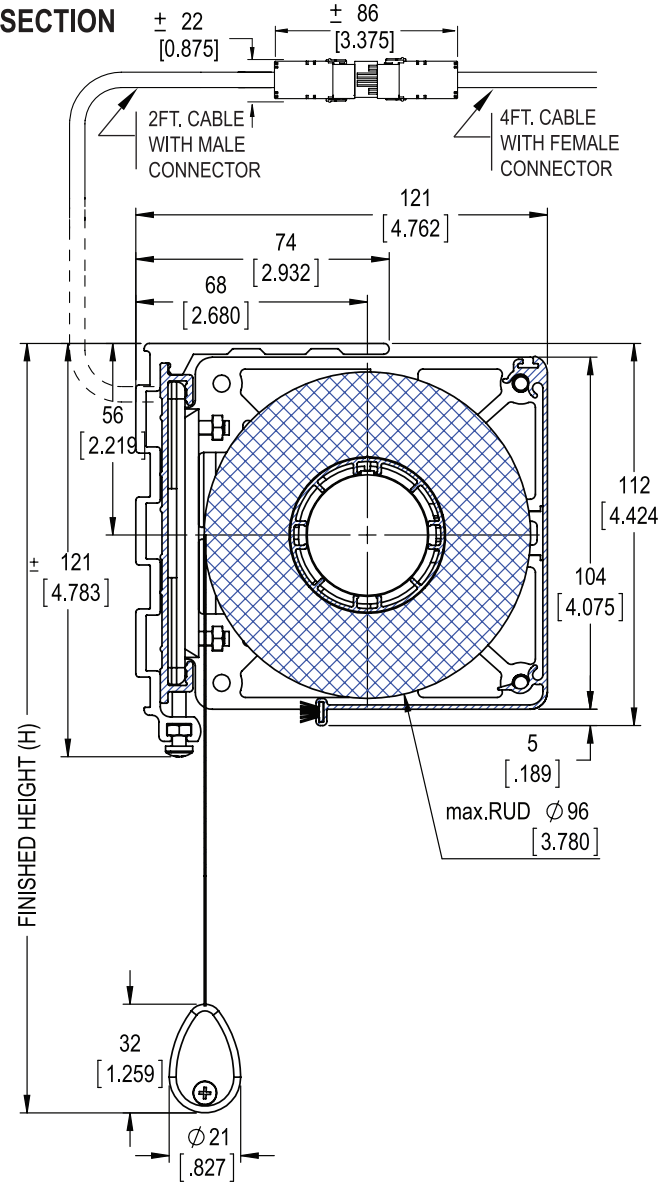


DIMENSION	FABRIC EDGE CLEARANCE [±mm / ±in] BY TUBE TYPE									
	32		38		46		53		63	
A	n/a	n/a	n/a	n/a	22	0.875	22	0.875	n/a	n/a
B	n/a	n/a	n/a	n/a	38	1.500	38	1.500	n/a	n/a

MOUNTING



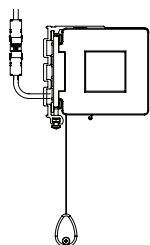
SECTION



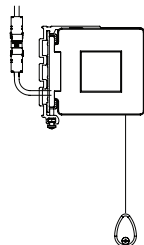
MODEL

MDL1-EM46-105-VS-UQM40/UQM40RTS

ROLL STYLE



REGULAR ROLL



REVERSE ROLL

NOTE: For size limitation guidelines, please refer to our Size Limitation Detail Sheets or contact our Technical Department.

MONTREAL

T: 800.363.5930

@: info@altex.ca

TORONTO

T: 888.836.6980

@: sales@altex.ca

VANCOUVER

T: 888.980.9899

@: servicewest@altex.ca



ALTEX[®]
SunProject™
line of products

MODULINE[®] ELEKTRA 85,105 ULTRA QUIET - 120VAC
UQM 40 / UQM 40 RTS MOTOR OPERATED ROLLER SYSTEMS



ELEKTRA ULTRA QUIET MOTOR

WITH OR WITHOUT FASCIA 85, 105

SHADE HOLDER: **STANDARD**

CHANNEL: **ST-3**

MOTOR TYPE: **UQM 40 - 120VAC**

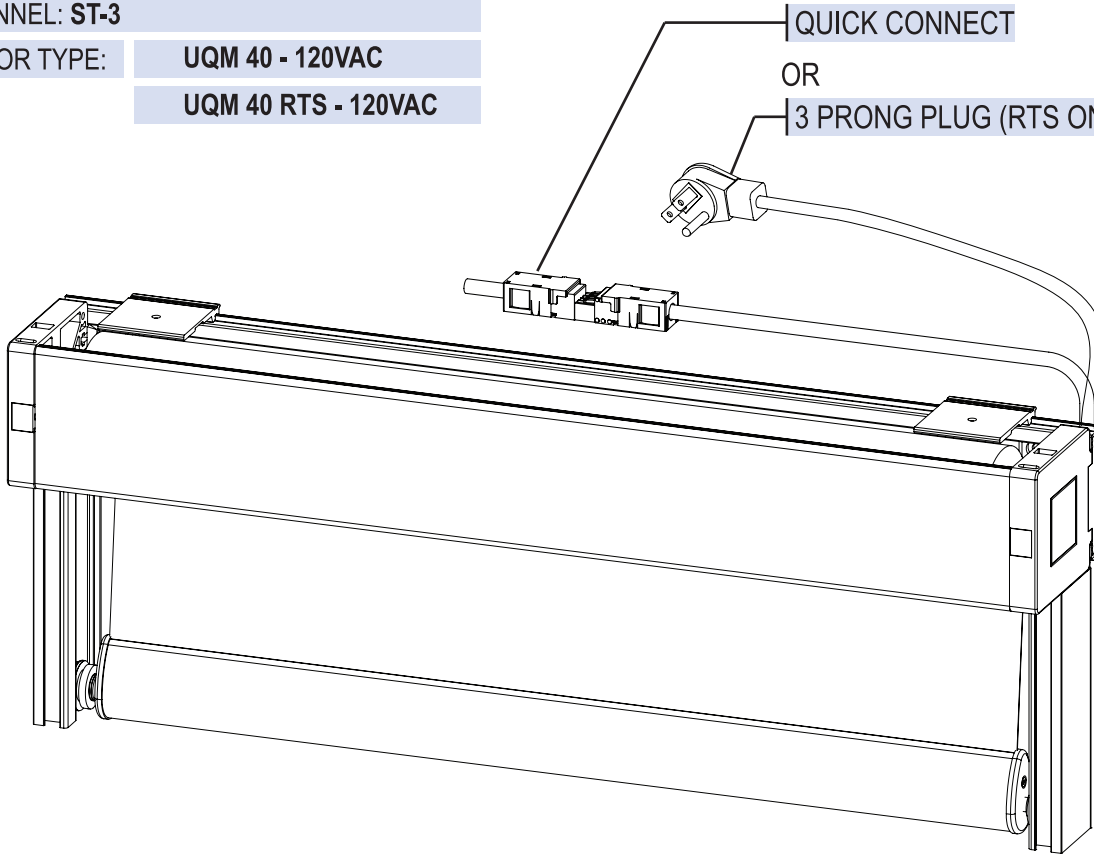
UQM 40 RTS - 120VAC

AVAILABLE IN :

QUICK CONNECT

OR

3 PRONG PLUG (RTS ONLY)



MDL3-EM-85-UQM 40/UQM 40RTS

WITH OR WITHOUT FASCIA 85

MDL3-EM-105-UQM 40/UQM 40RTS

WITH OR WITHOUT FASCIA 105

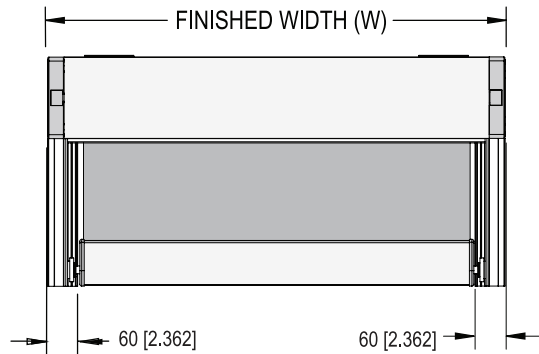


ALTEX[®]
SunProject™
line of products

MODULINE[®] ELEKTRA 85 ULTRA QUIET - 120VAC UQM 40 / UQM 40 RTS MOTOR OPERATED ROLLER SYSTEMS

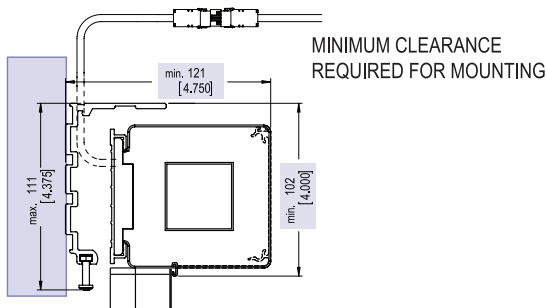
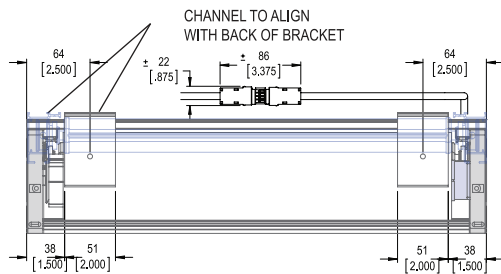


ELEVATION

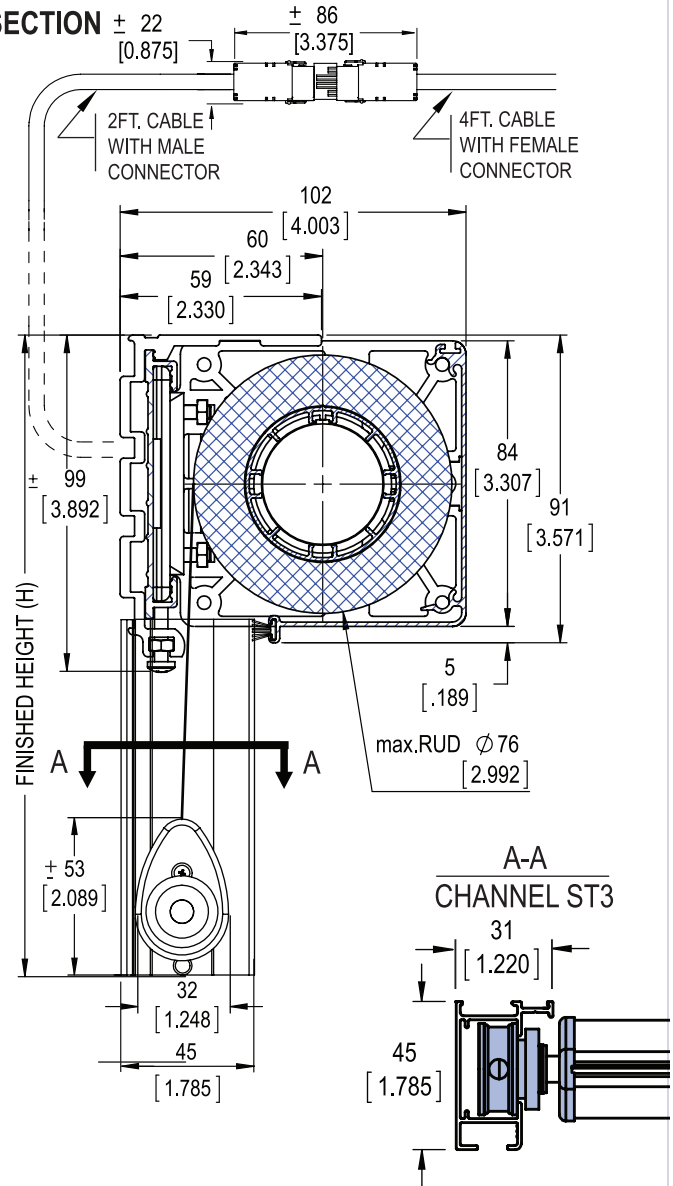


TOLERANCE +/- 1.5mm [0.0625"]
DIMENSIONS mm [inches]

MOUNTING



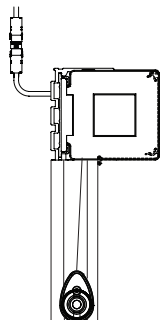
SECTION



MODEL

MDL3-EM46-85-VS-UQM40/UQM40RTS

ROLL STYLE



REGULAR ROLL

NOTE: For size limitation guidelines, please refer to our Size Limitation Detail Sheets or contact our Technical Department.

MONTREAL

T: 800.363.5930

@: info@altex.ca

TORONTO

T: 888.836.6980

@: sales@altex.ca

VANCOUVER

T: 888.980.9899

@: servicewest@altex.ca

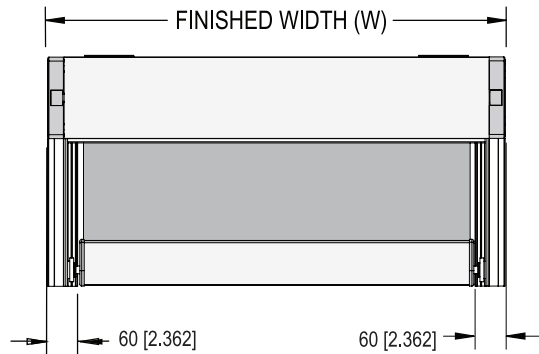


ALTEX[®]
SunProject™
line of products

MODULINE[®] ELEKTRA 105 ULTRA QUIET - 120VAC UQM 40 / UQM 40 RTS MOTOR OPERATED ROLLER SYSTEMS

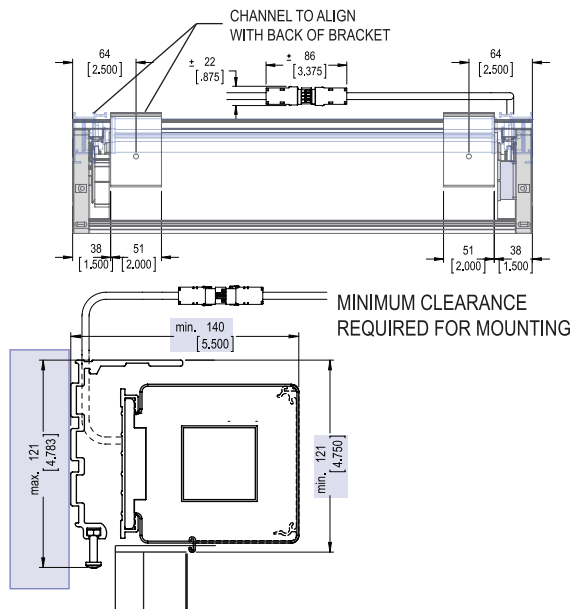


ELEVATION

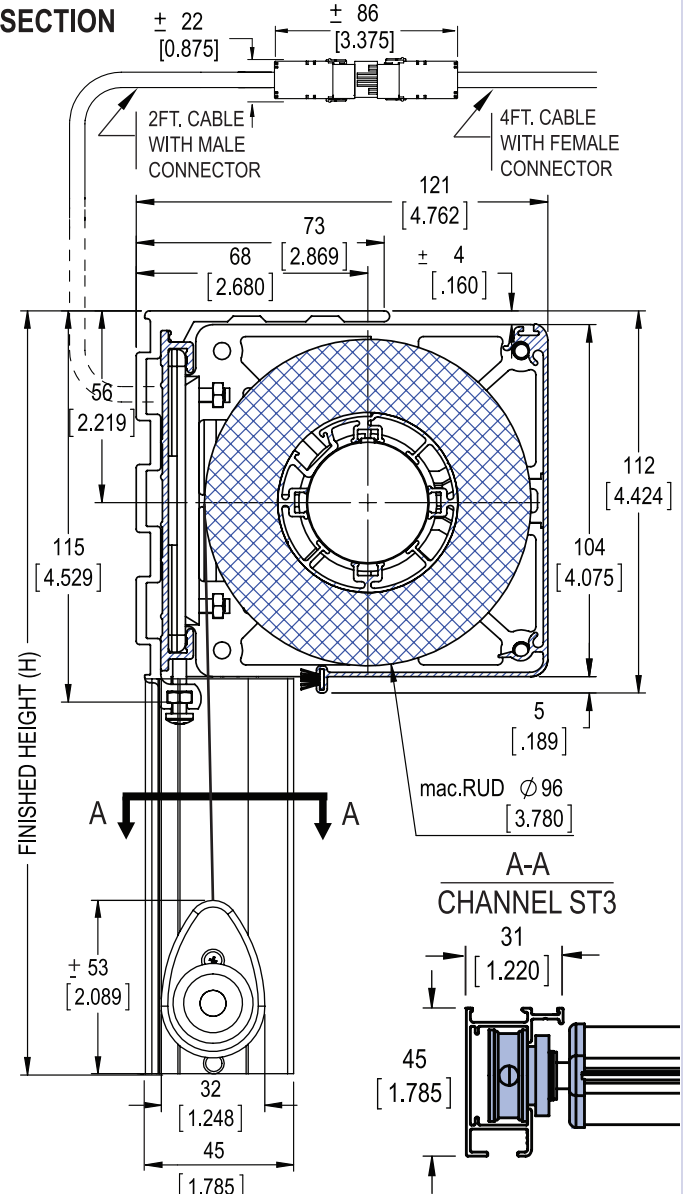


TOLERANCE +/- 1.5mm [0.0625"]
DIMENSIONS mm [inches]

MOUNTING

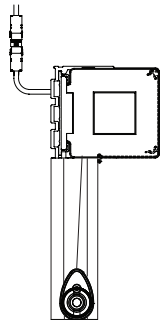


SECTION



MODEL MDL3-EM53-105-VS-UQM40/UQM 40RTS

ROLL STYLE



REGULAR ROLL

NOTE: For size limitation guidelines, please refer to our Size Limitation Detail Sheets or contact our Technical Department.

MONTREAL

T: 800.363.5930

@: info@altex.ca

TORONTO

T: 888.836.6980

@: sales@altex.ca

VANCOUVER

T: 888.980.9899

@: servicewest@altex.ca



ALTEX[®]
SunProject™
line of products

MODULINE[®] ELEKTRA 85,105 ULTRA QUIET - 120VAC
UQM 40 / UQM 40 RTS MOTOR OPERATED ROLLER SYSTEMS



ELEKTRA ULTRA QUIET MOTOR

WITH OR WITHOUT FASCIA 85, 105

SHADE HOLDER: **STANDARD**

CHANNEL: **T-460**

MOTOR TYPE: **UQM 40 - 120VAC**

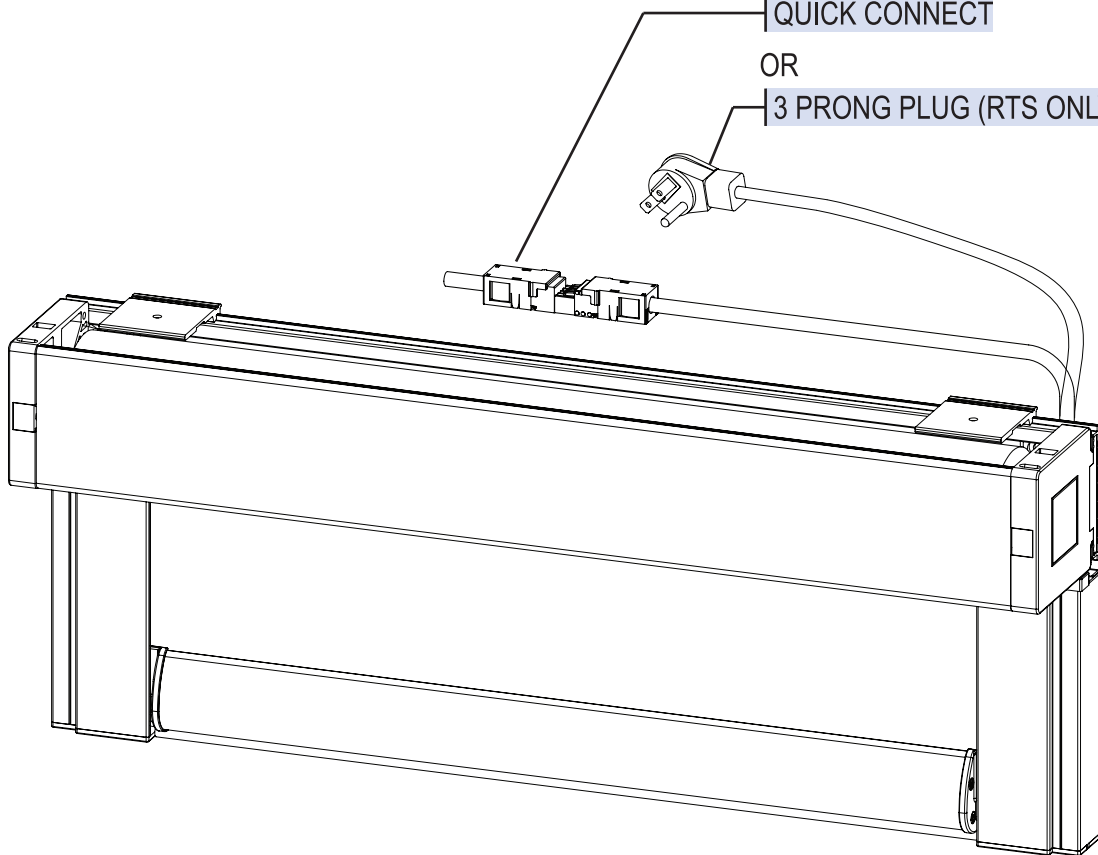
UQM 40 RTS - 120VAC

AVAILABLE IN :

QUICK CONNECT

OR

3 PRONG PLUG (RTS ONLY)



MDL4-EM-85-UQM 40/UQM 40RTS

WITH OR WITHOUT FASCIA 85

MDL4-EM-105-UQM 40/UQM 40RTS

WITH OR WITHOUT FASCIA 105

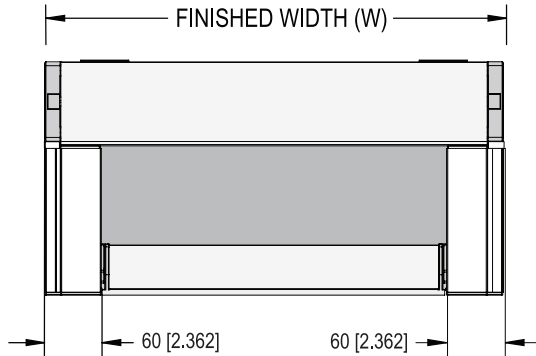


ALTEX[®]
SunProject™
line of products

MODULINE[®] ELEKTRA 85 ULTRA QUIET - 120VAC UQM 40 / UQM 40 RTS MOTOR OPERATED ROLLER SYSTEMS

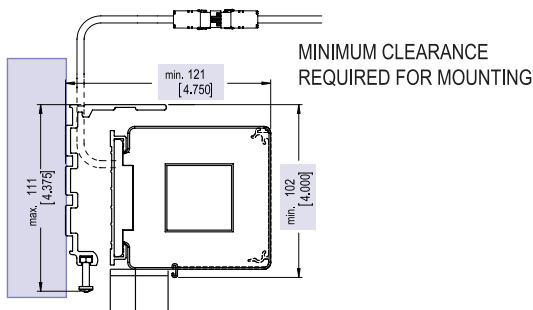
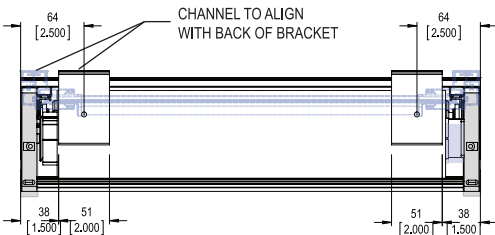


ELEVATION

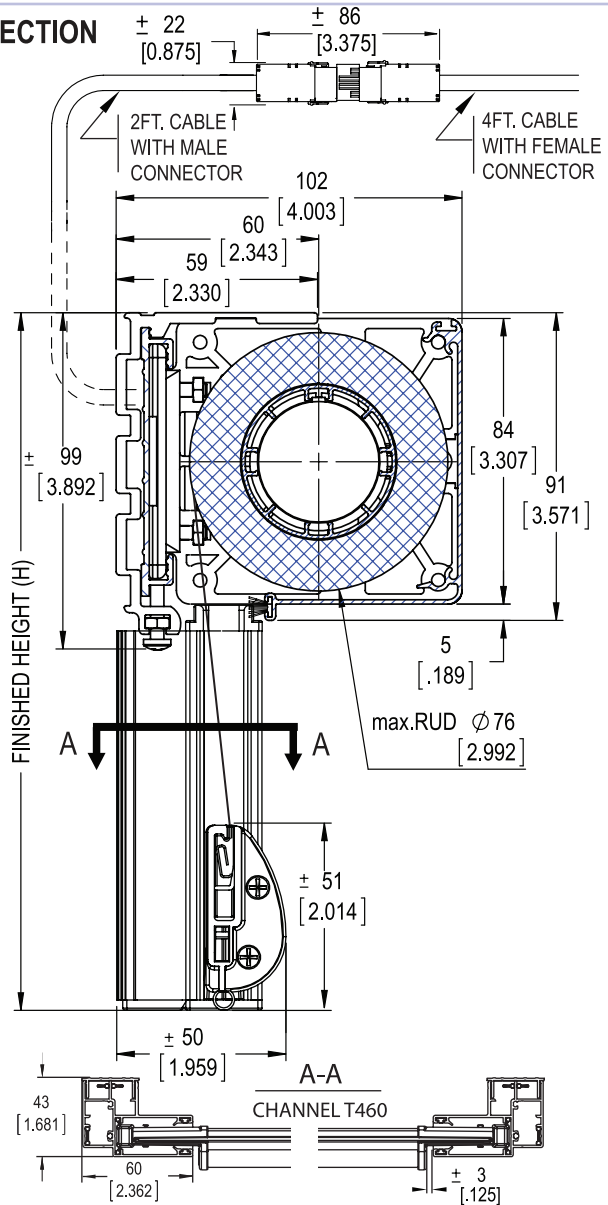


TOLERANCE +/- 1.5mm [0.0625"]
DIMENSIONS mm [inches]

MOUNTING

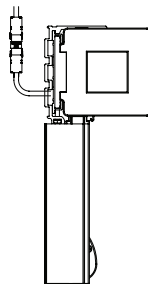


SECTION



MODEL MDL4-EM46-85-VS-UQM40/UQM 40RTS

ROLL STYLE



REGULAR ROLL

NOTE: For size limitation guidelines, please refer to our Size Limitation Detail Sheets or contact our Technical Department.

MONTREAL

T: 800.363.5930

@: info@altex.ca

TORONTO

T: 888.836.6980

@: sales@altex.ca

VANCOUVER

T: 888.980.9899

@: servicewest@altex.ca



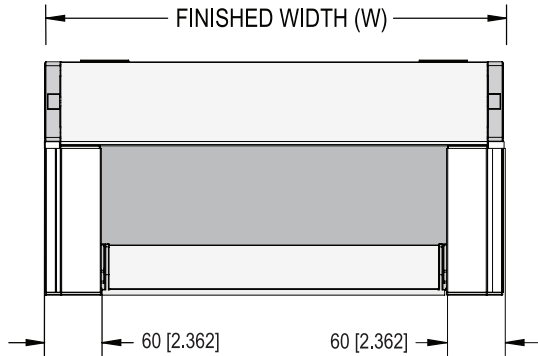
ALTEX[®]
SunProject™
line of products

MODULINE[®] ELEKTRA 105 ULTRA QUIET - 120VAC

UQM 40 / UQM 40 RTS MOTOR OPERATED ROLLER SYSTEMS

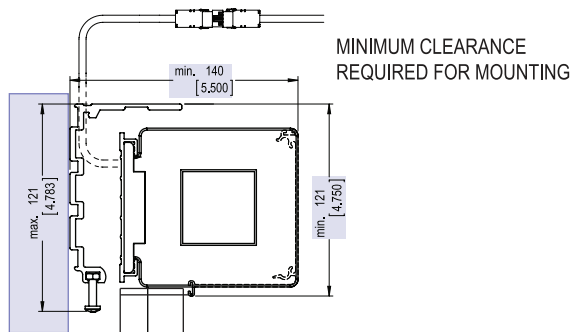
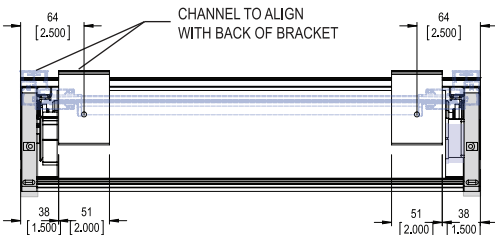


ELEVATION

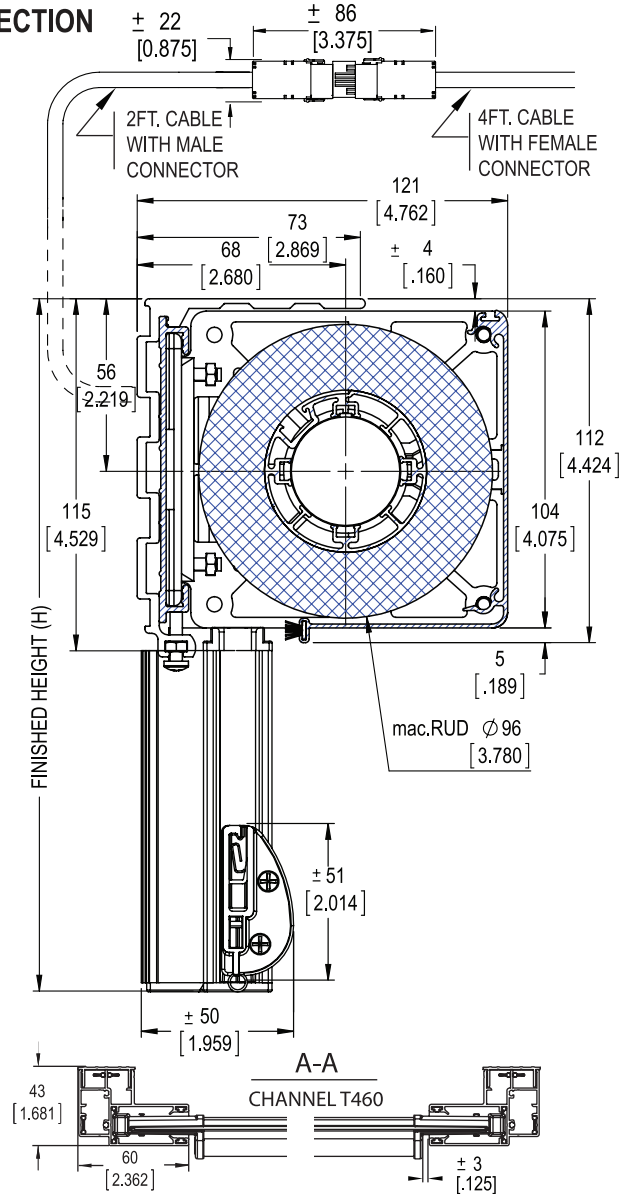


TOLERANCE +/- 1.5mm [0.0625"]
DIMENSIONS mm [inches]

MOUNTING

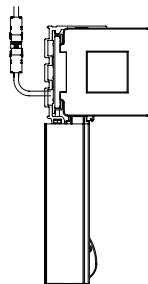


SECTION



MODEL MDL4-EM53-105-VS-UQM40/UQM 40RTS

ROLL STYLE



REGULAR ROLL

NOTE: For size limitation guidelines, please refer to our Size Limitation Detail Sheets or contact our Technical Department.

MONTREAL T: 800.363.5930 @: info@altex.ca	TORONTO T: 888.836.6980 @: sales@altex.ca	VANCOUVER T: 888.980.9899 @: servicewest@altex.ca
--------------------------------------------------------	--------------------------------------------------------	----------------------------------------------------------------



ALTEX[®]
SunProject™
line of products

MODULINE[®] ELEKTRA TANDEM 85,105 ULTRA QUIET 120VAC
UQM 40 / UQM 40 RTS MOTOR OPERATED ROLLER SYSTEMS



ELEKTRA ULTRA QUIET MOTOR

WITH OR WITHOUT FASCIA 85, 105

SHADE HOLDER: **STANDARD**

MOTOR TYPE: **UQM 40 - 120VAC**

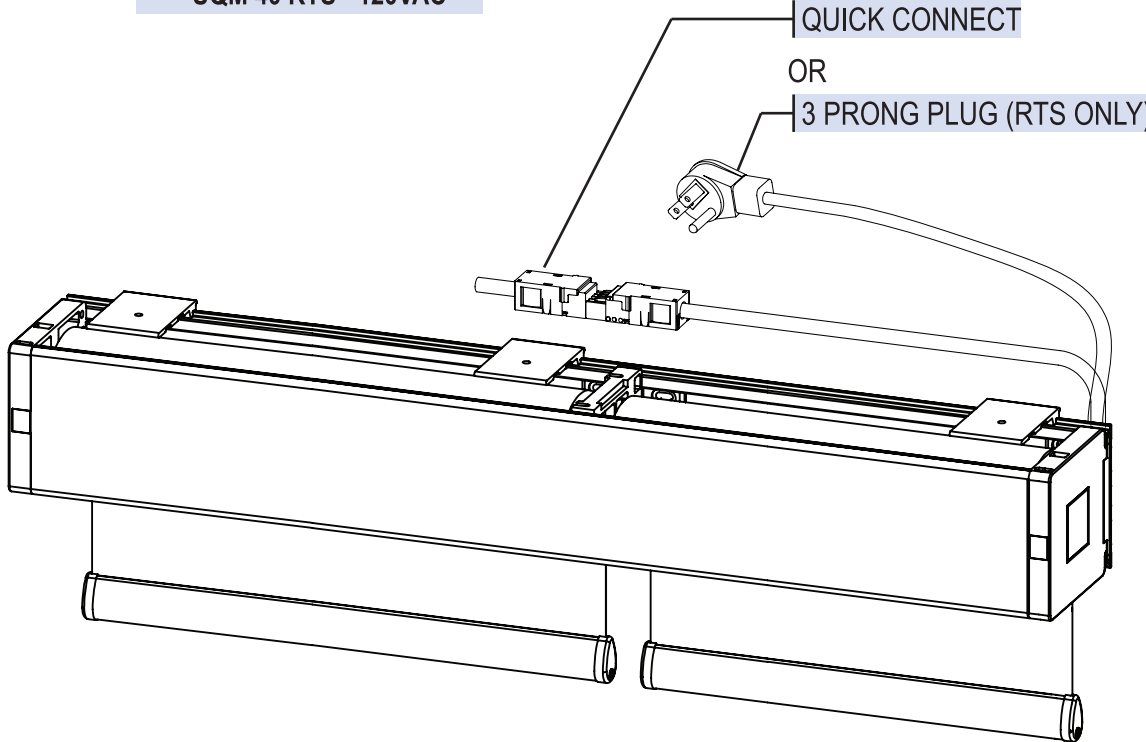
UQM 40 RTS - 120VAC

AVAILABLE IN :

QUICK CONNECT

OR

3 PRONG PLUG (RTS ONLY)



MULTIBANDS AVAILABLE IN: 2B 3B 4B

2 BANDED SYSTEM SHOWN

MDL1-EM-85-UQM40-TANDEM

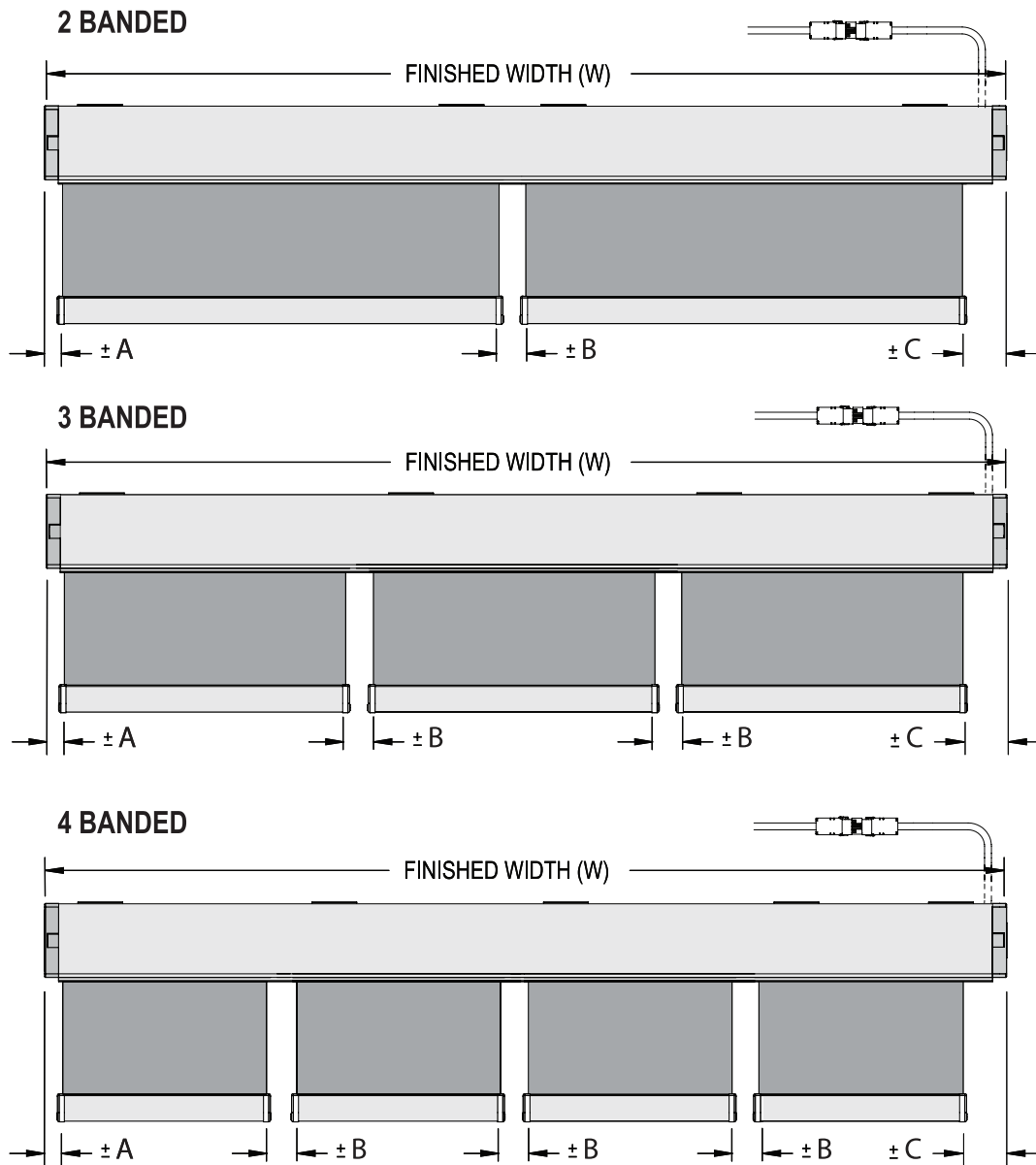
WITH OR WITHOUT FASCIA 85

MDL1-EM-105-UQM40-TANDEM

WITH OR WITHOUT FASCIA 105



AVAILABLE TANDEM OPTIONS



EDGE CLEARANCE	A	B	C
DIMENSION	± 22 [0.875"]	± 44 [1.732"]	± 38 [1.500"]

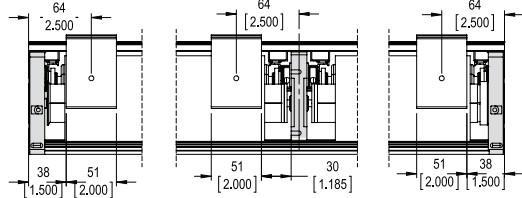


ALTEX[®]
SunProject™
line of products

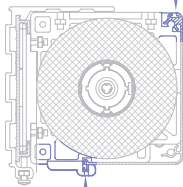
MODULINE[®] ELEKTRA TANDEM 85 ULTRA QUIET 120VAC UQM 40 / UQM 40 RTS MOTOR OPERATED ROLLER SYSTEMS



MOUNTING

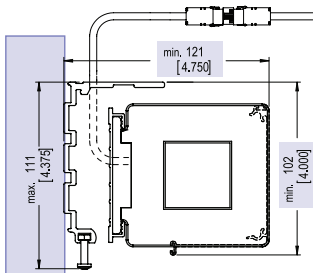


MIDDLE BRACKET



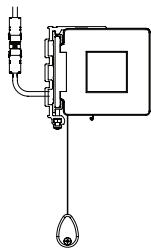
FASCIA TO ENGAGE AT THE TOP OF MIDDLE BRACKET AS SHOWN

SECURE FASCIA AT EACH MIDDLE BRACKET WITH SAFETY CLIP

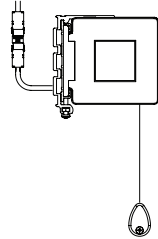


MINIMUM CLEARANCE REQUIRED FOR MOUNTING

ROLL STYLE

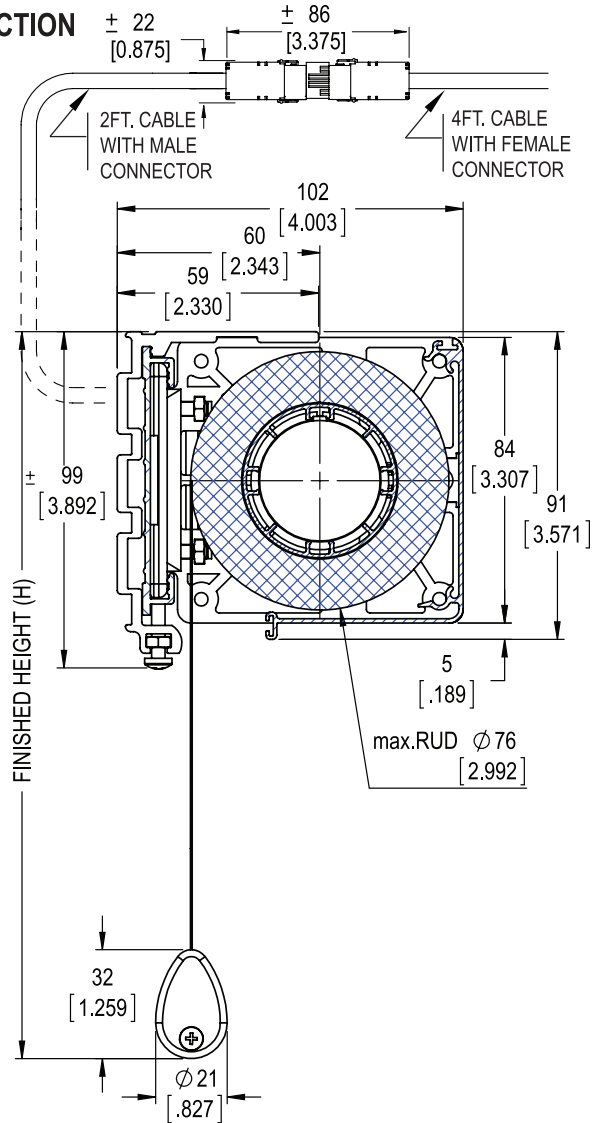


REGULAR ROLL



REVERSE ROLL

SECTION



MODEL

MDL1-EM46-85-VS-UQM40-TANDEM

NOTE: For size limitation guidelines, please refer to our Size Limitation Detail Sheets or contact our Technical Department.

MONTREAL
T: 800.363.5930
@: info@altex.ca

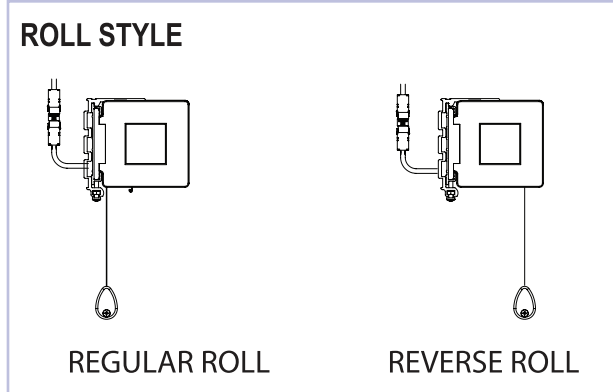
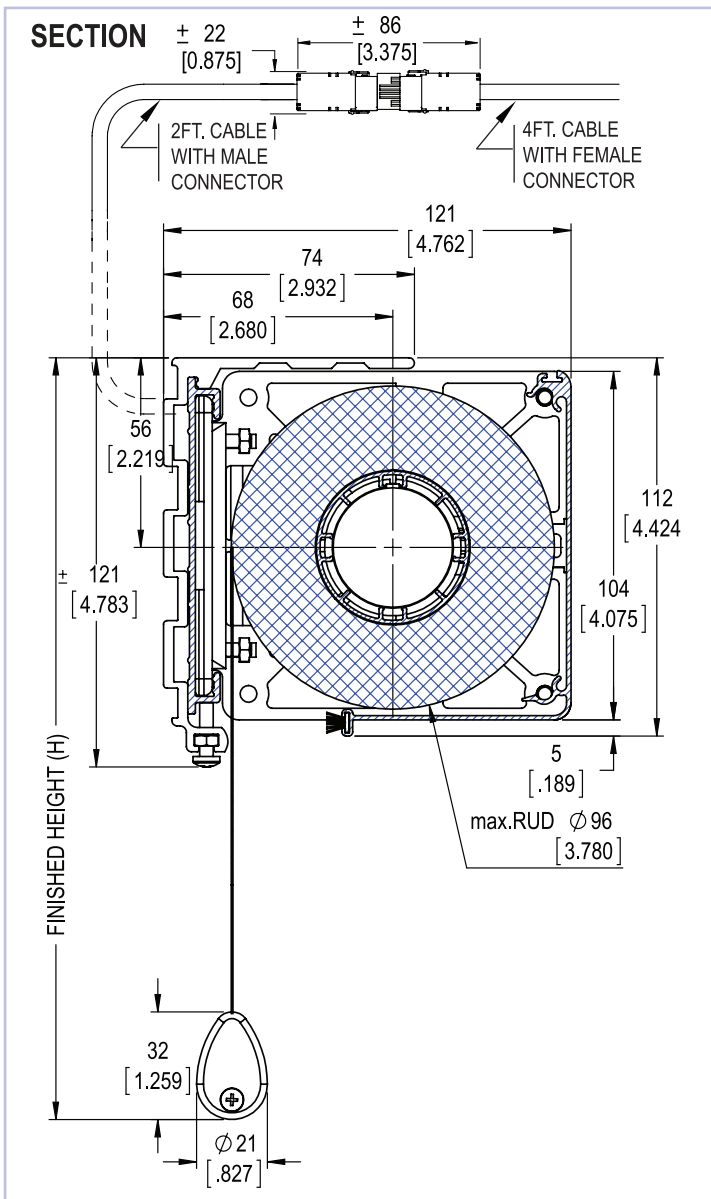
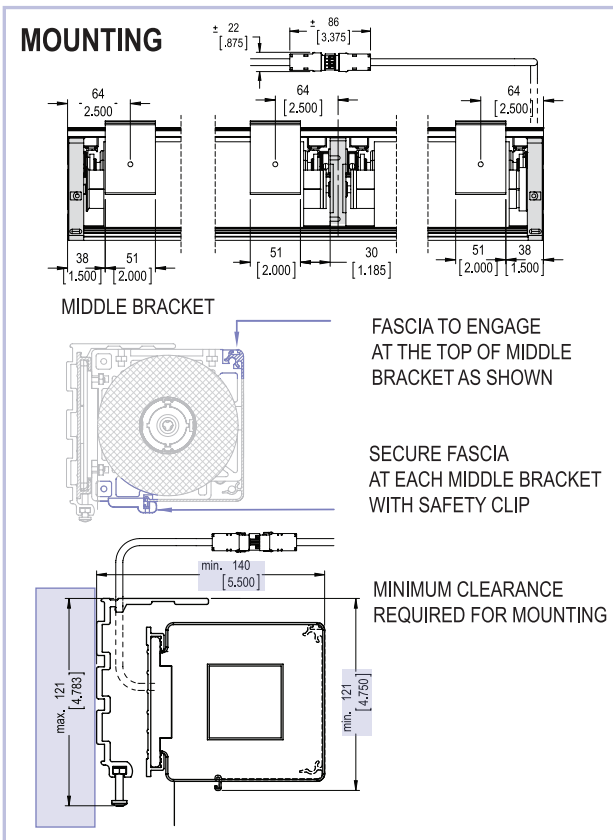
TORONTO
T: 888.836.6980
@: sales@altex.ca

VANCOUVER
T: 888.980.9899
@: servicewest@altex.ca



ALTEX[®]
SunProject™
line of products

MODULINE[®] ELEKTRA TANDEM 105 ULTRA QUIET 120VAC UQM 40 / UQM 40 RTS MOTOR OPERATED ROLLER SYSTEMS



MODEL	MDL1-EM46-105-VS-UQM40-TANDEM
-------	-------------------------------

NOTE: For size limitation guidelines, please refer to our Size Limitation Detail Sheets or contact our Technical Department.

MONTREAL T: 800.363.5930 @: info@altex.ca	TORONTO T: 888.836.6980 @: sales@altex.ca	VANCOUVER T: 888.980.9899 @: servicewest@altex.ca
-------------------------------------------------	-------------------------------------------------	---------------------------------------------------------



ALTEX[®]
SunProject™
line of products

MODULINE[®] ELEKTRA TANDEM 85,105 ULTRA QUIET 120VAC
UQM 40 / UQM 40 RTS MOTOR OPERATED ROLLER SYSTEMS



ELEKTRA ULTRA QUIET MOTOR

WITH OR WITHOUT FASCIA 85, 105

SHADE HOLDER: **STANDARD**

CHANNEL: **ST-3**

MOTOR TYPE: **UQM 40 - 120VAC**

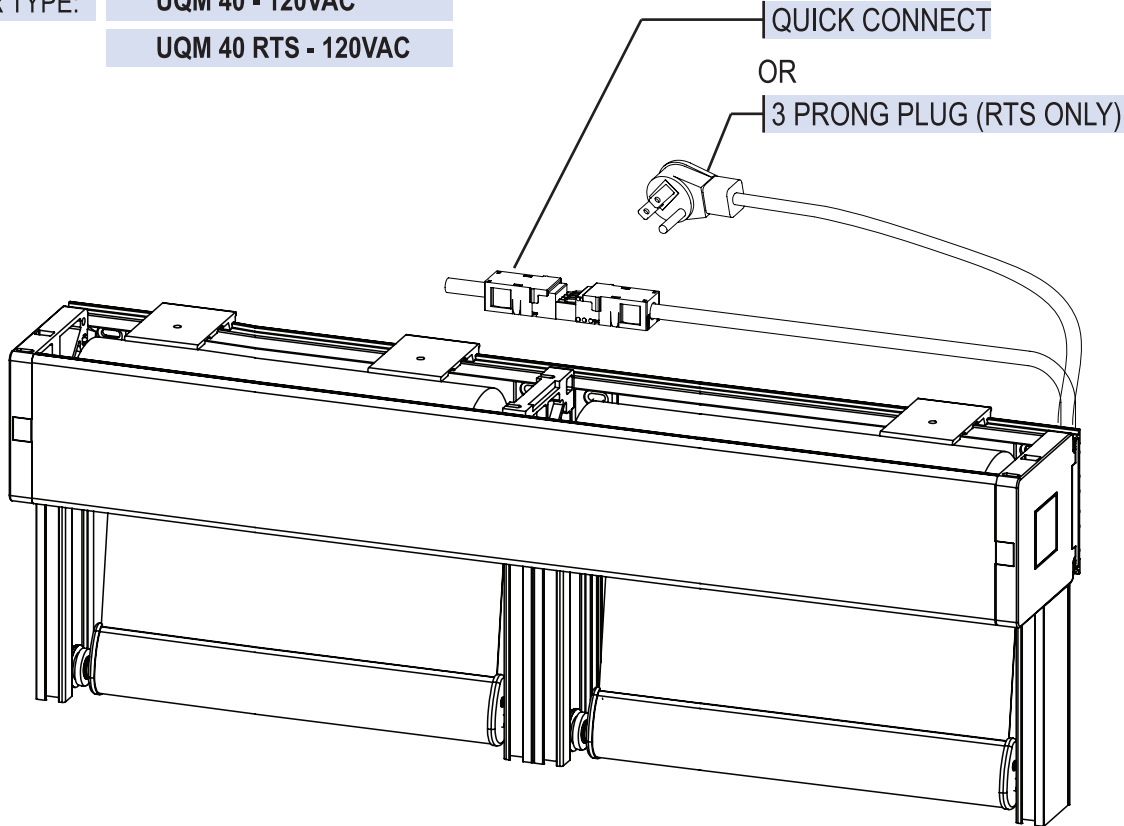
UQM 40 RTS - 120VAC

AVAILABLE IN :

QUICK CONNECT

OR

3 PRONG PLUG (RTS ONLY)



MULTIBANDS AVAILABLE IN: 2B 3B 4B

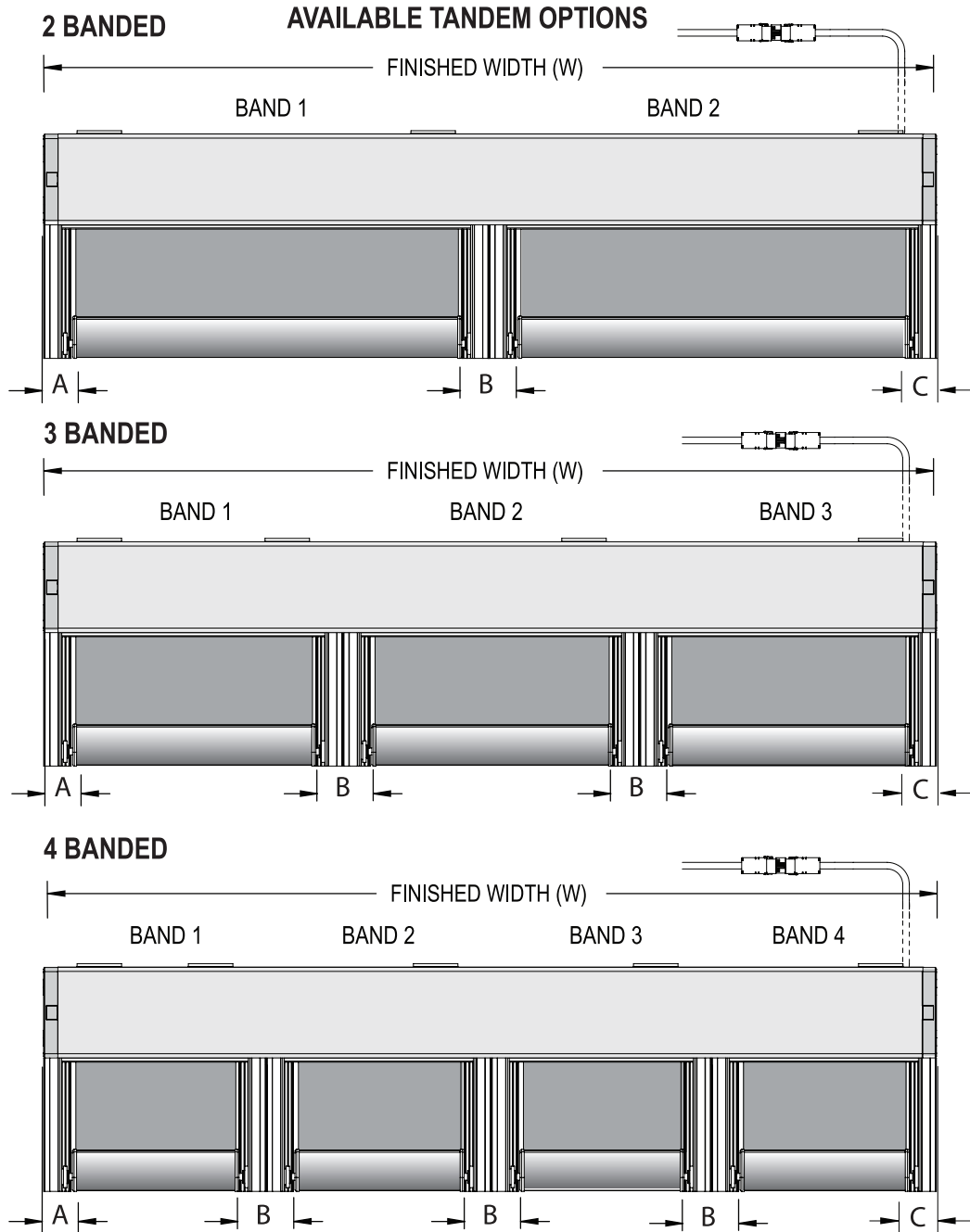
2 BANDED SYSTEM SHOWN

MD3-EM-85-VS - TANDEM

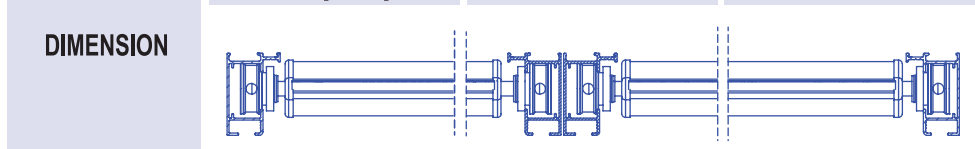
WITH OR WITHOUT FASCIA 85

MD3-EM-105-VS - TANDEM

WITH OR WITHOUT FASCIA 105



CHANNEL	A	B	C
	ST3	2 x ST3	ST3
	± 31 [1.220"]	± 62 [2.441"]	± 31 [1.220"]



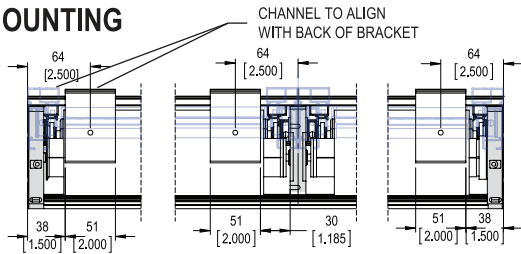


ALTEX[®]
SunProject™
line of products

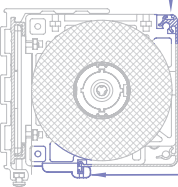
MODULINE[®] ELEKTRA TANDEM 85 ULTRA QUIET 120VAC UQM 40 / UQM 40 RTS MOTOR OPERATED ROLLER SYSTEMS



MOUNTING

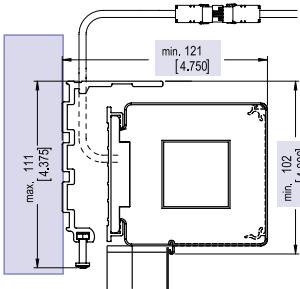


MIDDLE BRACKET



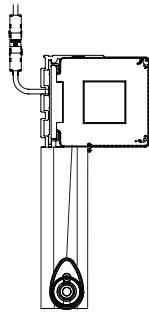
FASCIA TO ENGAGE AT THE TOP OF MIDDLE BRACKET AS SHOWN

SECURE FASCIA AT EACH MIDDLE BRACKET WITH SAFETY CLIP



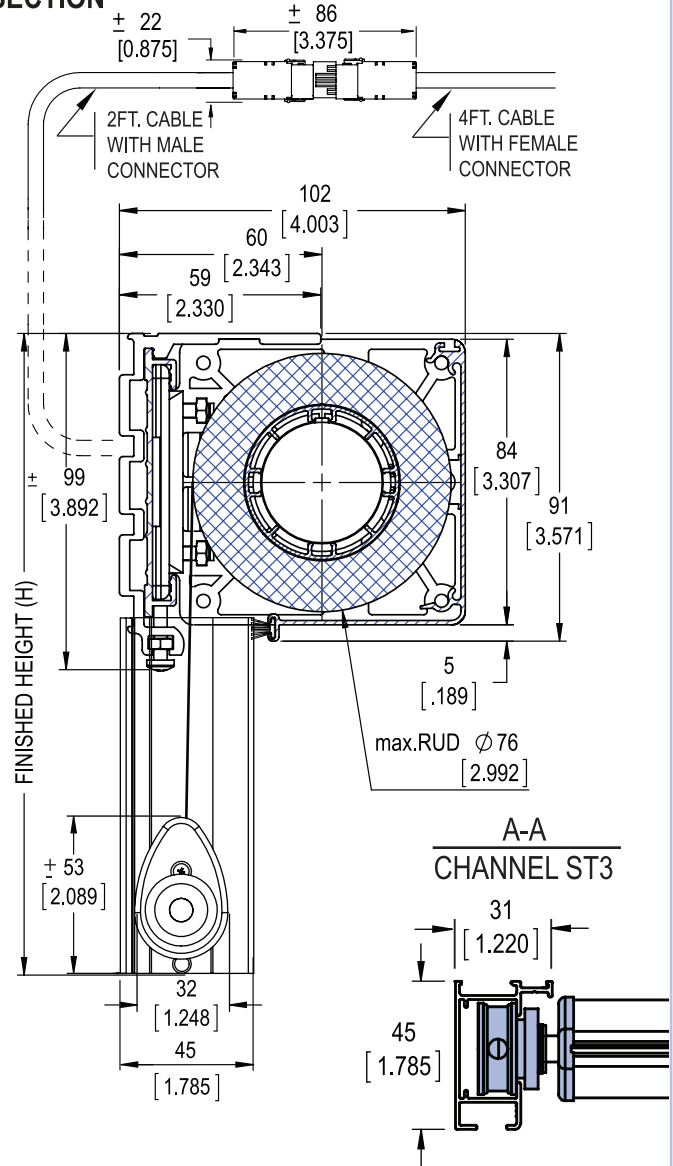
MINIMUM CLEARANCE REQUIRED FOR MOUNTING

ROLL STYLE



REGULAR ROLL

SECTION



MODEL

MDL3-EM46-85-VS-UQM40-TANDEM

NOTE: For size limitation guidelines, please refer to our Size Limitation Detail Sheets or contact our Technical Department.

MONTREAL

T: 800.363.5930

@: info@altex.ca

TORONTO

T: 888.836.6980

@: sales@altex.ca

VANCOUVER

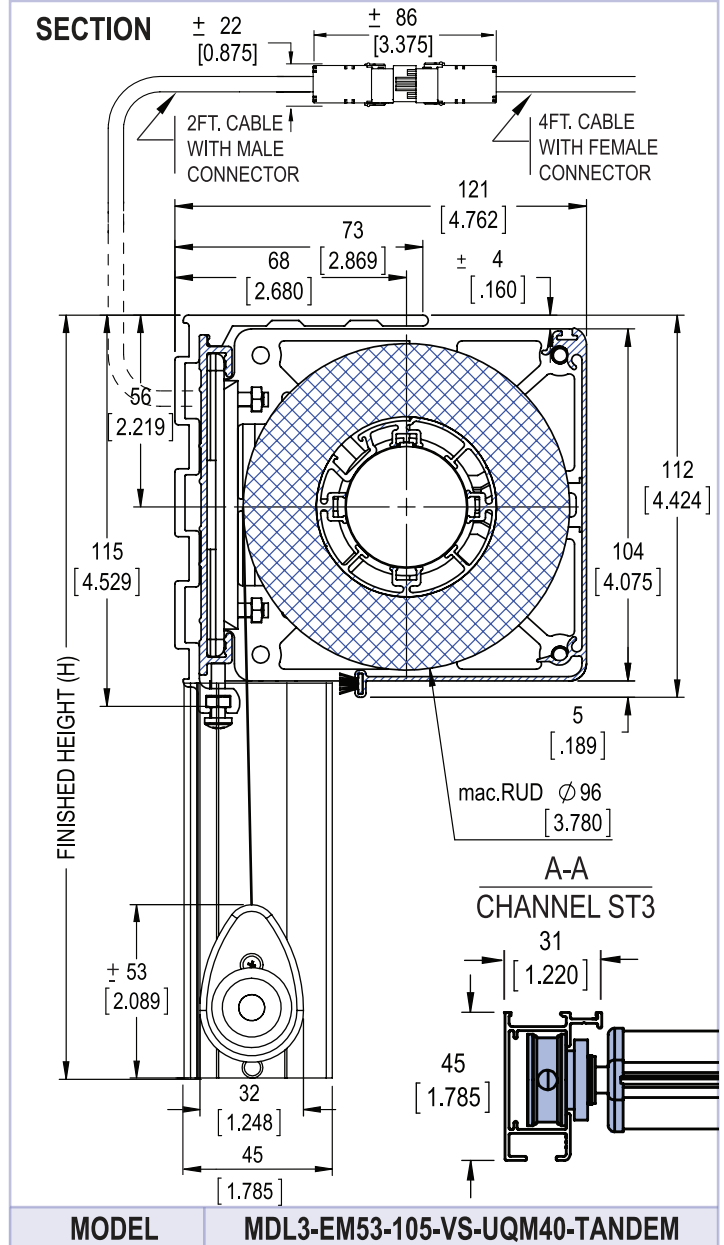
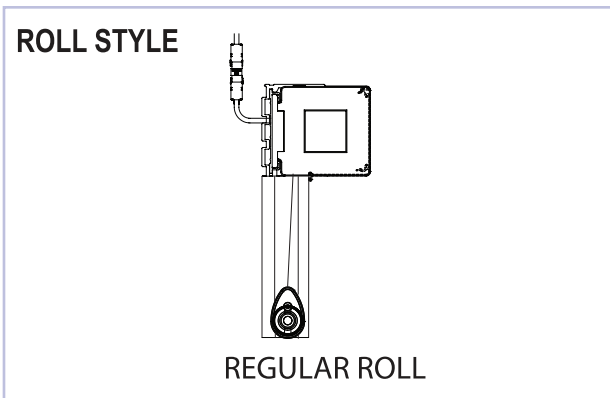
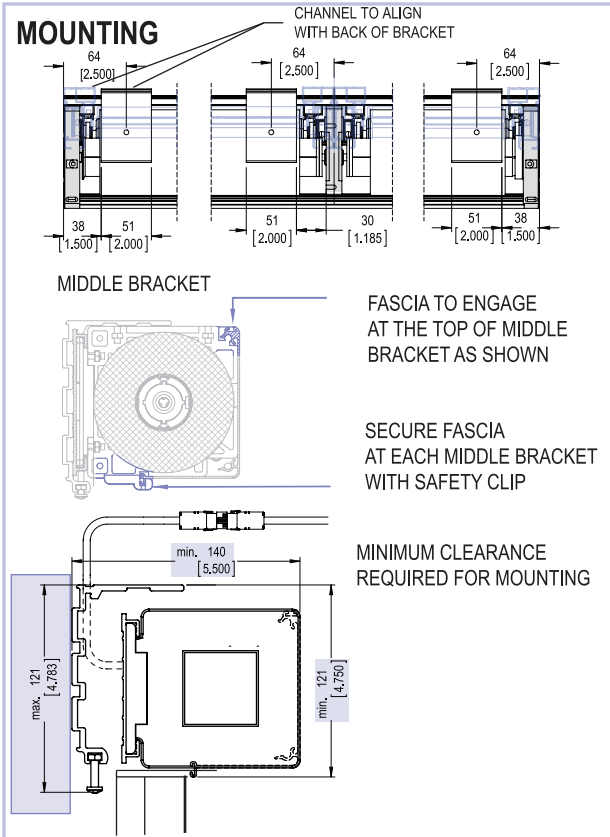
T: 888.980.9899

@: servicewest@altex.ca



ALTEX[®]
SunProject™
line of products

MODULINE[®] ELEKTRA TANDEM 105 ULTRA QUIET 120VAC UQM 40 / UQM 40 RTS MOTOR OPERATED ROLLER SYSTEMS



NOTE: For size limitation guidelines, please refer to our Size Limitation Detail Sheets or contact our Technical Department.

MONTREAL T: 800.363.5930 @: info@altex.ca	TORONTO T: 888.836.6980 @: sales@altex.ca	VANCOUVER T: 888.980.9899 @: servicewest@altex.ca
-------------------------------------------------	-------------------------------------------------	---------------------------------------------------------



ALTEX[®]
SunProject™
line of products

MODULINE[®] ELEKTRA TANDEM 85,105 ULTRA QUIET 120VAC
UQM 40 / UQM 40 RTS MOTOR OPERATED ROLLER SYSTEMS



ELEKTRA ULTRA QUIET MOTOR

WITH OR WITHOUT FASCIA 85, 105

SHADE HOLDER: **STANDARD**

CHANNEL: **T-460**

MOTOR TYPE: **UQM 40 - 120VAC**

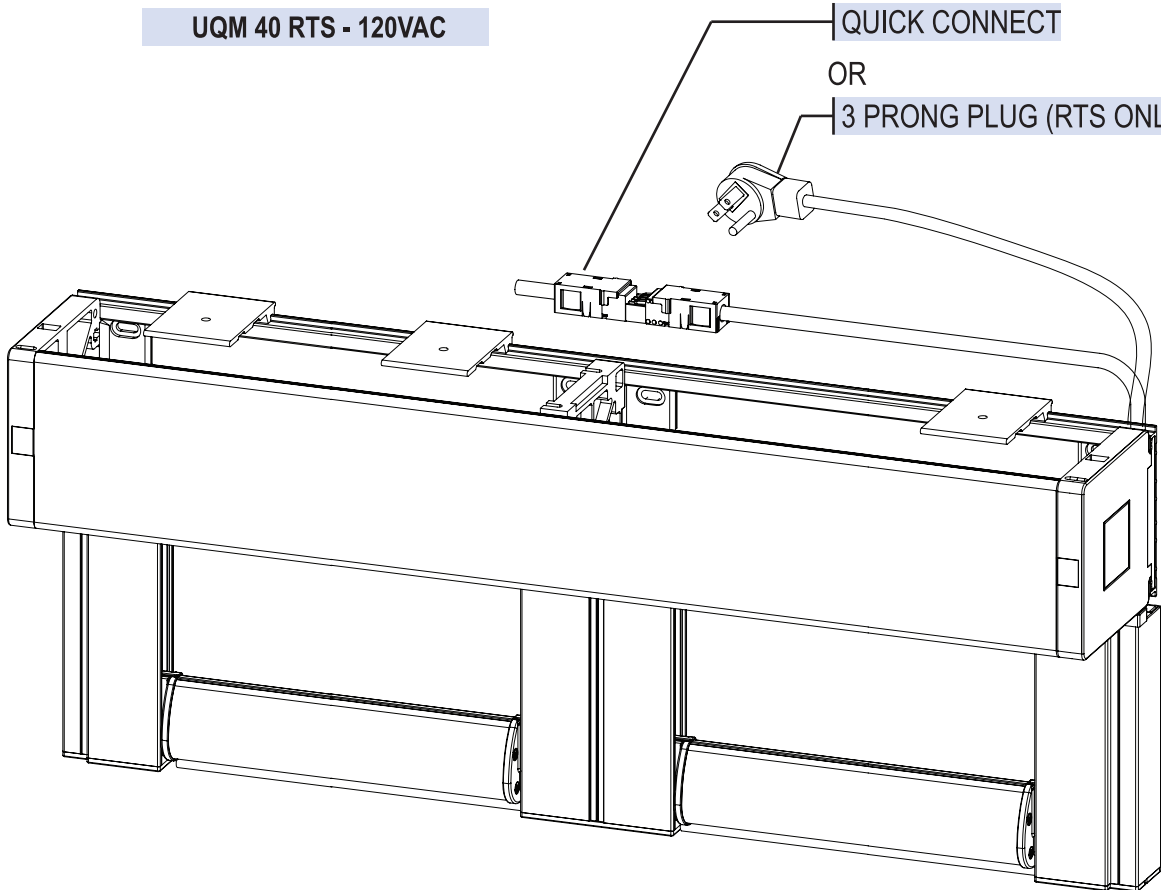
UQM 40 RTS - 120VAC

AVAILABLE IN :

QUICK CONNECT

OR

3 PRONG PLUG (RTS ONLY)



MULTIBANDS AVAILABLE IN: 2B 3B 4B

2 BANDED SYSTEM SHOWN

MDL4-EM-85-UQM40-TANDEM

WITH OR WITHOUT FASCIA 85

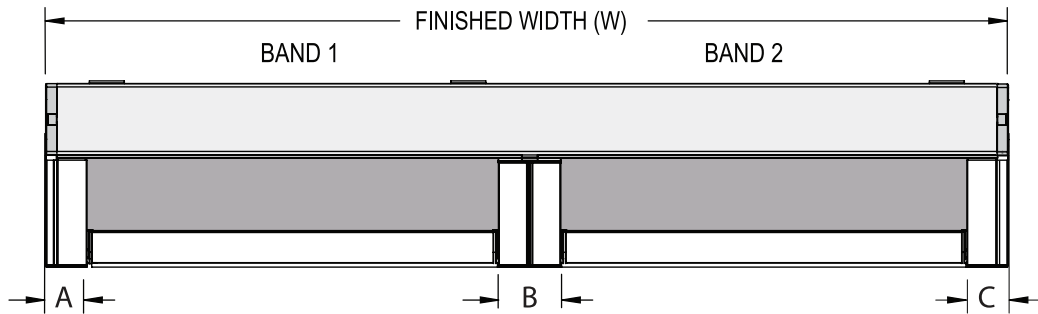
MDL4-EM-105-UQM40-TANDEM

WITH OR WITHOUT FASCIA 105

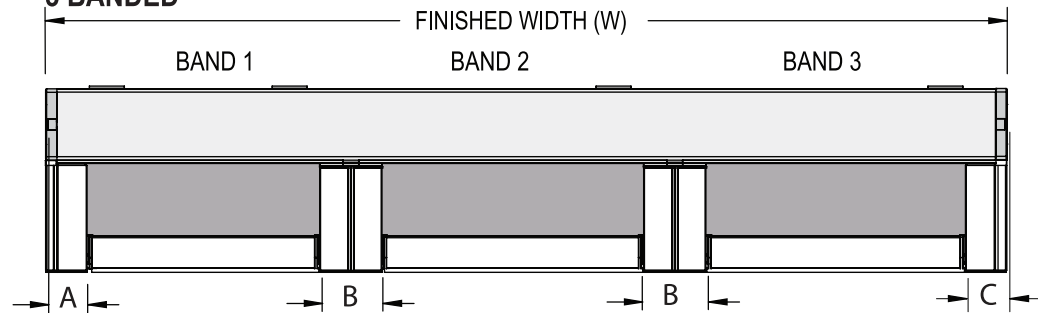


AVAILABLE TANDEM OPTIONS

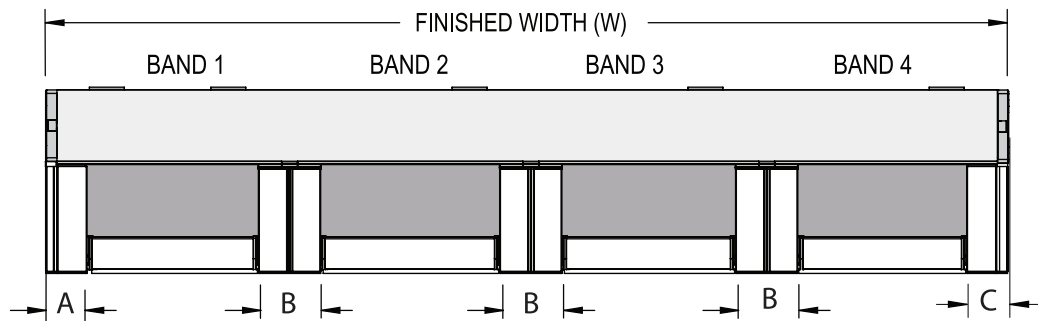
2 BANDED



3 BANDED

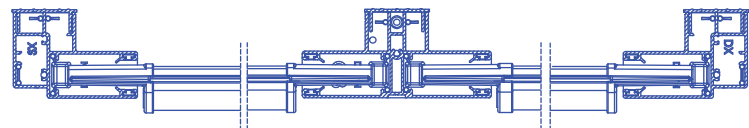


4 BANDED



CHANNEL	A	B	C
	T-460	T-490	T-460
	± 60 [2.362"]	± 90 [3.543"]	± 60 [2.362"]

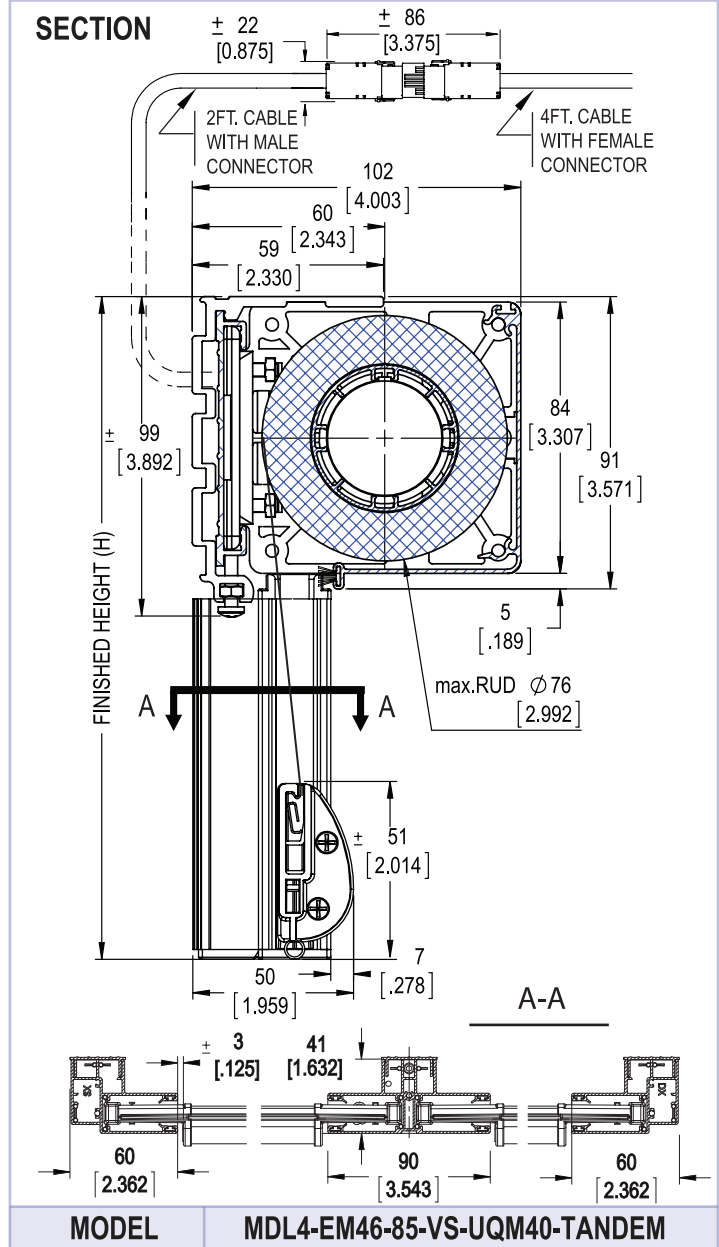
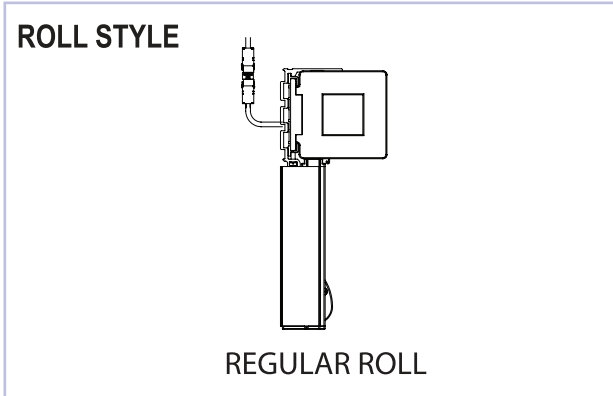
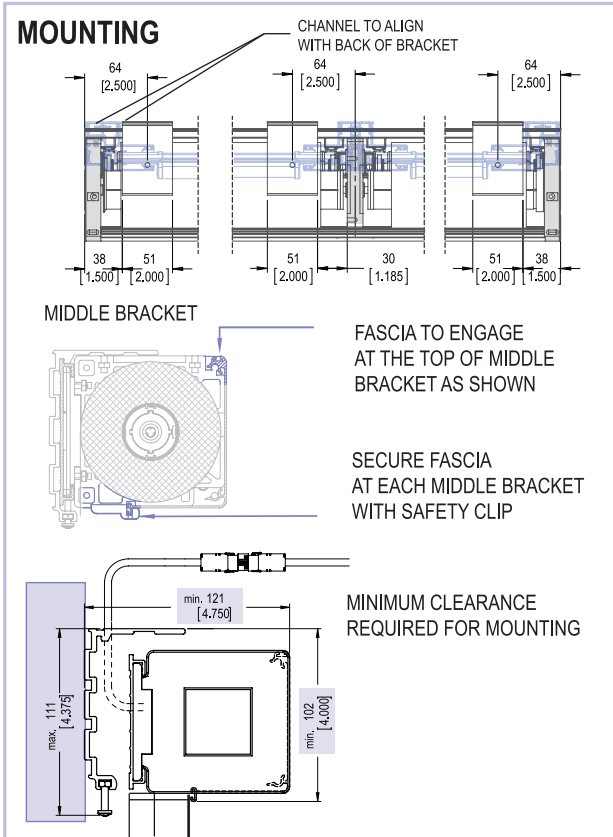
DIMENSION





ALTEX[®]
SunProject™
line of products

MODULINE[®] ELEKTRA TANDEM 85 ULTRA QUIET 120VAC UQM 40 / UQM 40 RTS MOTOR OPERATED ROLLER SYSTEMS



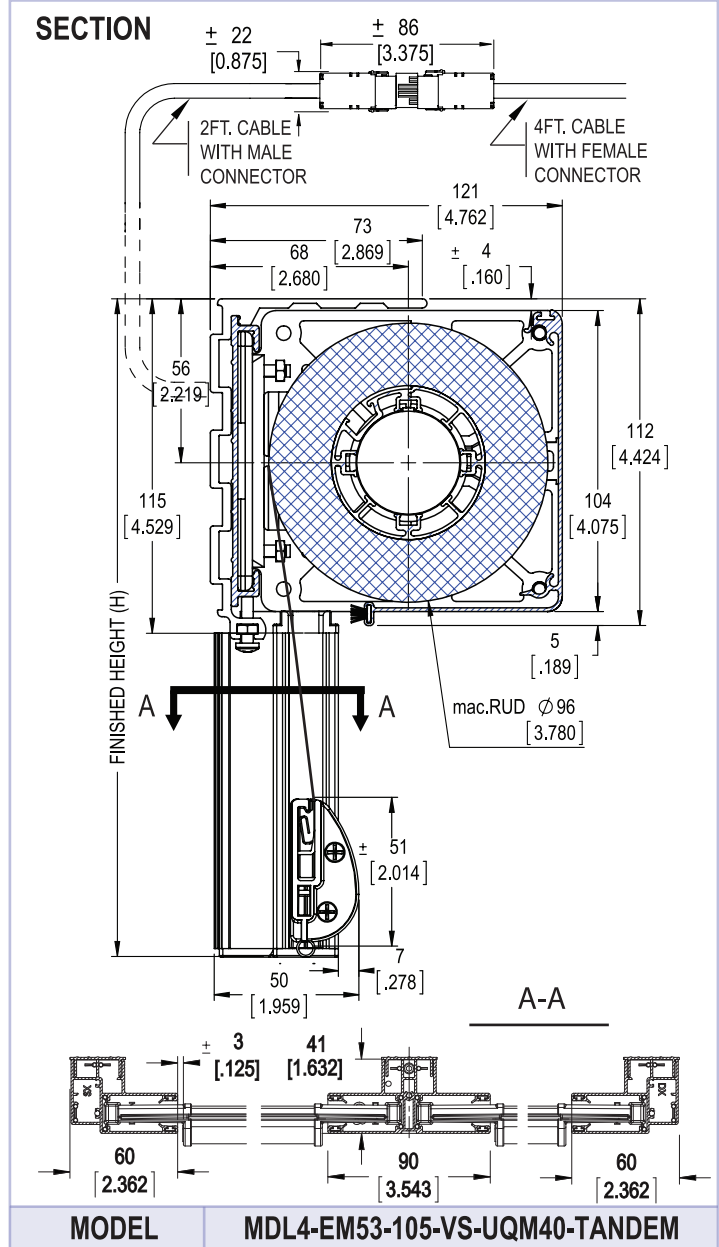
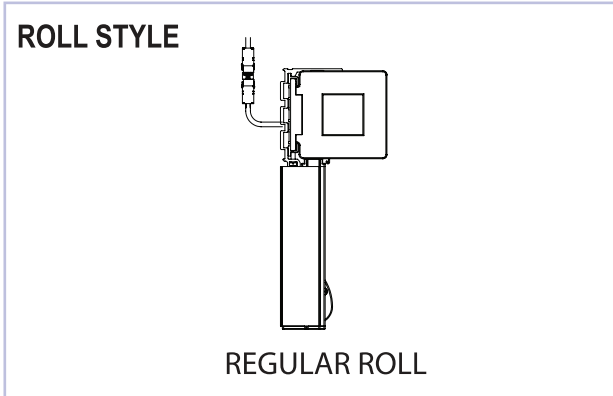
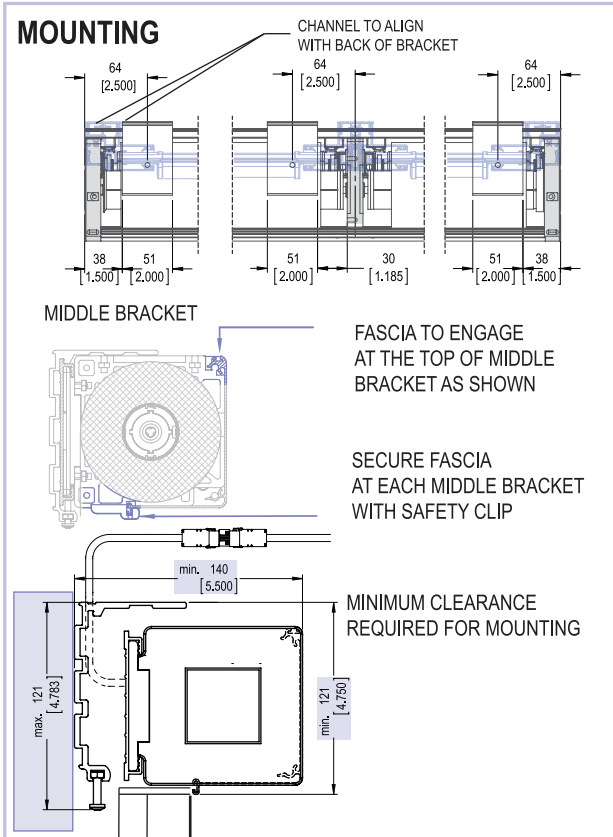
NOTE: For size limitation guidelines, please refer to our Size Limitation Detail Sheets or contact our Technical Department.

MONTREAL T: 800.363.5930 @: info@altex.ca	TORONTO T: 888.836.6980 @: sales@altex.ca	VANCOUVER T: 888.980.9899 @: servicewest@altex.ca
-------------------------------------------------	-------------------------------------------------	---------------------------------------------------------



ALTEX[®]
SunProject™
line of products

MODULINE[®] ELEKTRA TANDEM 105 ULTRA QUIET 120VAC UQM 40 / UQM 40 RTS MOTOR OPERATED ROLLER SYSTEMS



NOTE: For size limitation guidelines, please refer to our Size Limitation Detail Sheets or contact our Technical Department.

MONTREAL T: 800.363.5930 @: info@altex.ca	TORONTO T: 888.836.6980 @: sales@altex.ca	VANCOUVER T: 888.980.9899 @: servicewest@altex.ca
-------------------------------------------------	-------------------------------------------------	---------------------------------------------------------



ALTEX[®]

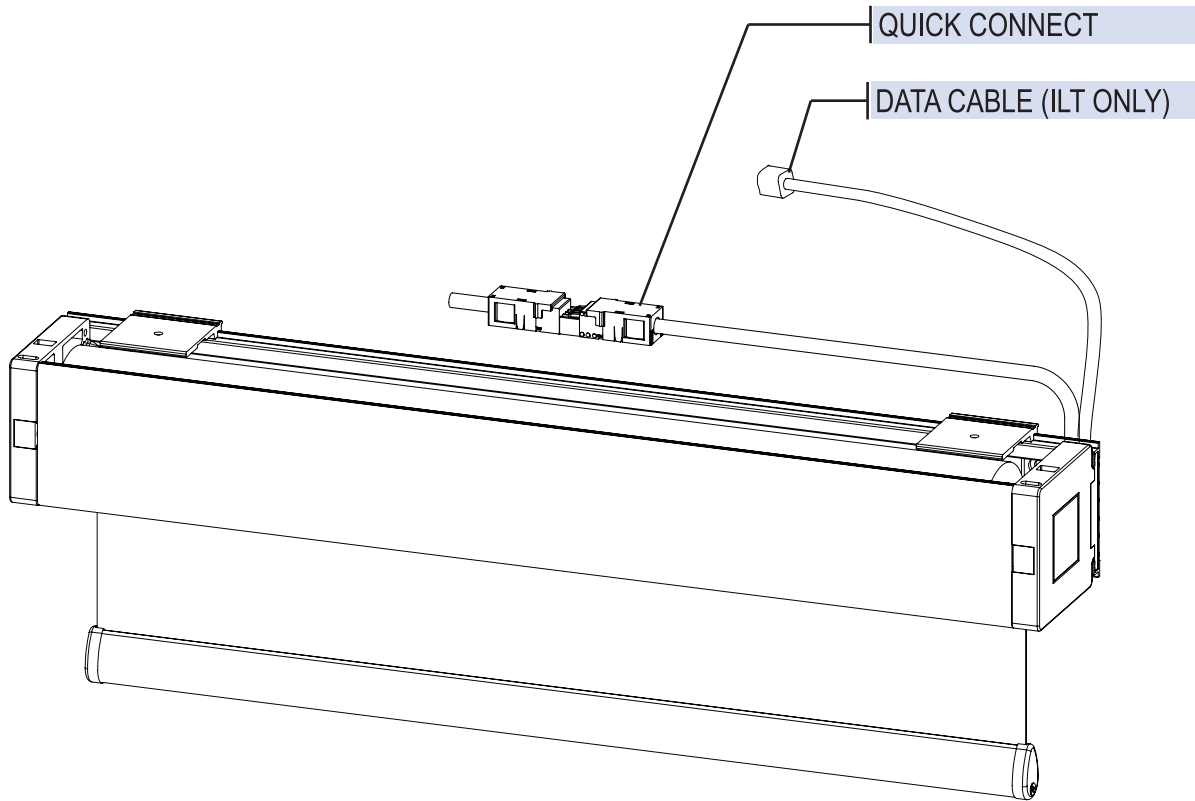
SunProject™
line of products

MODULINE[®] ELEKTRA 105 - 120VAC

E-50 / E- 50 RTS / E-50 ILT MOTOR OPERATED ROLLER SYSTEMS



ELEKTRA	REGULAR MOTOR
WITH OR WITHOUT FASCIA 105	
SHADE HOLDER: STANDARD	
MOTOR TYPE:	E-50 - 120VAC
	E-50 RTS - 120VAC
	E-50 ILT - 120VAC



MDL1-EM63-105-E-50

WITH OR WITHOUT FASCIA 105



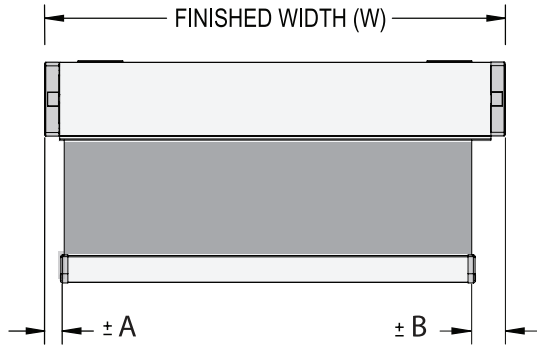
ALTEX[®]
SunProject™
line of products

MODULINE[®] ELEKTRA 105 - 120VAC

E-50 / E- 50 RTS / E-50 ILT MOTOR OPERATED ROLLER SYSTEMS



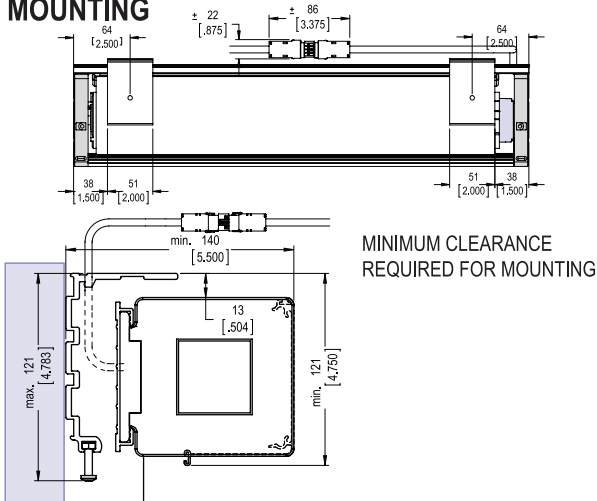
ELEVATION



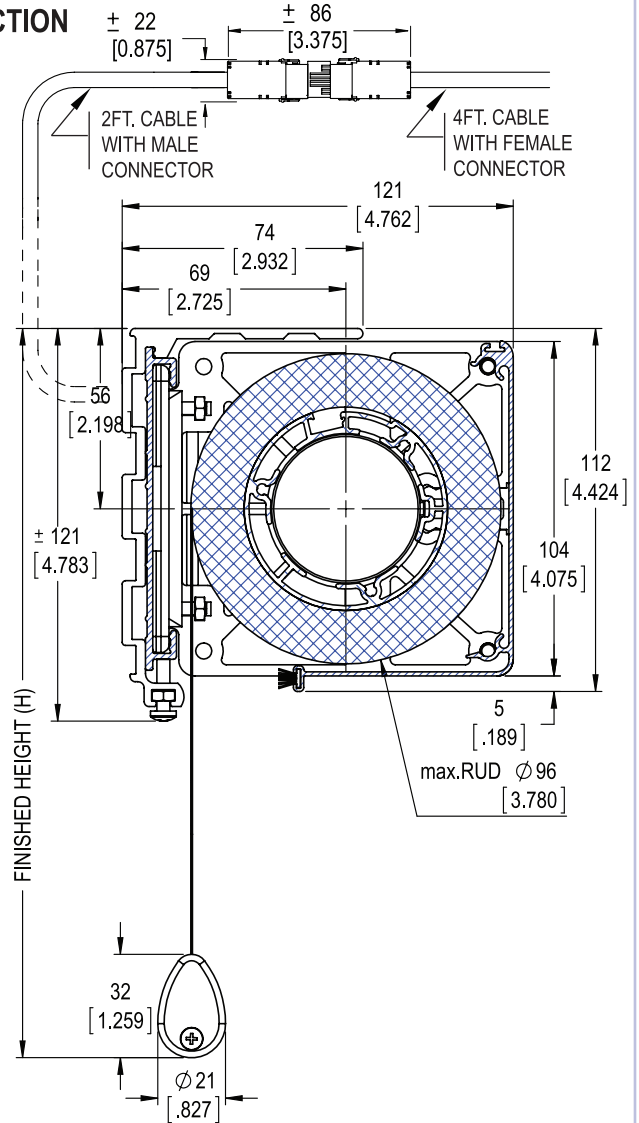
TOLERANCE +/- 1.5mm [0.0625"]
DIMENSIONS mm [inches]

DIMENSION	FABRIC EDGE CLEARANCE [±mm / ±in] BY TUBE TYPE						22	0.875	
	32	38	46	53	63	63			
A	n/a	n/a	n/a	n/a	n/a	n/a	n/a	22	0.875
B	n/a	n/a	n/a	n/a	n/a	n/a	n/a	38	1.500

MOUNTING



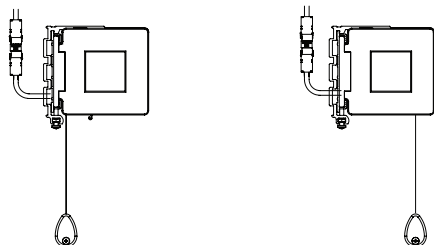
SECTION



MODEL

MDL1-EM63-105-VS-E-50

ROLL STYLE



REGULAR ROLL

REVERSE ROLL

NOTE: For size limitation guidelines, please refer to our Size Limitation Detail Sheets or contact our Technical Department.

MONTREAL

T: 800.363.5930

@: info@altex.ca

TORONTO

T: 888.836.6980

@: sales@altex.ca

VANCOUVER

T: 888.980.9899

@: servicewest@altex.ca



ALTEX[®]

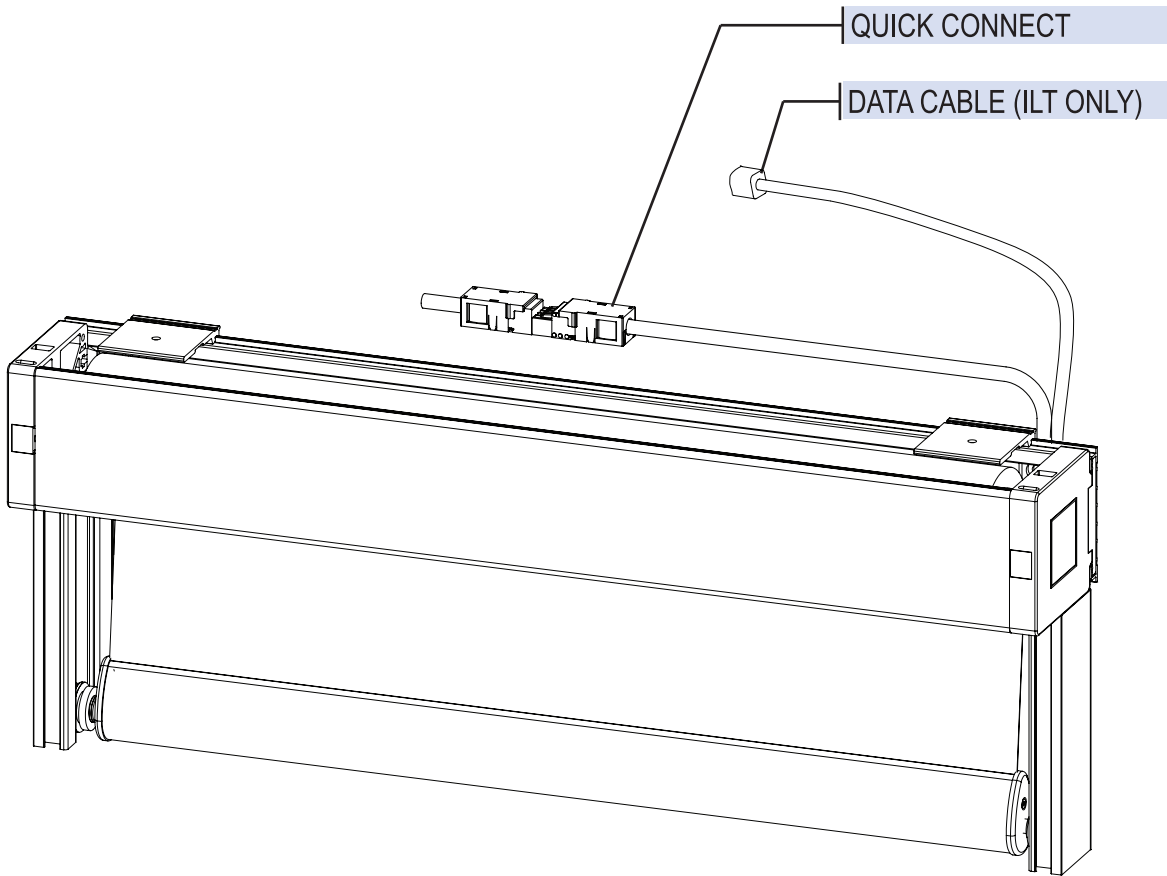
SunProject™
line of products

MODULINE[®] ELEKTRA 105 - 120VAC

E-50 / E- 50 RTS / E-50 ILT MOTOR OPERATED ROLLER SYSTEMS



ELEKTRA	REGULAR MOTOR
WITH OR WITHOUT FASCIA 105	
SHADE HOLDER: STANDARD	
MOTOR TYPE:	E-50 - 120VAC
	E-50 RTS - 120VAC
	E-50 ILT - 120VAC



MDL3-EM-105-E-50

WITH OR WITHOUT FASCIA 105



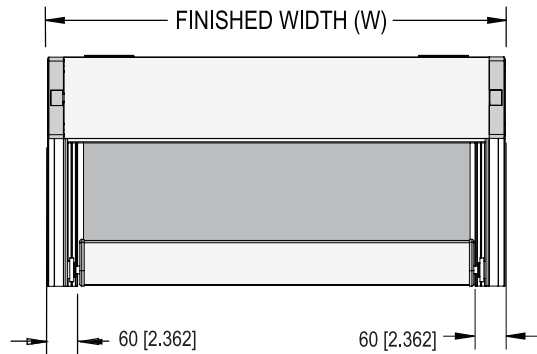
ALTEX[®]
SunProject™
line of products

MODULINE[®] ELEKTRA 105 - 120VAC

E-50 / E- 50 RTS / E-50 ILT MOTOR OPERATED ROLLER SYSTEMS

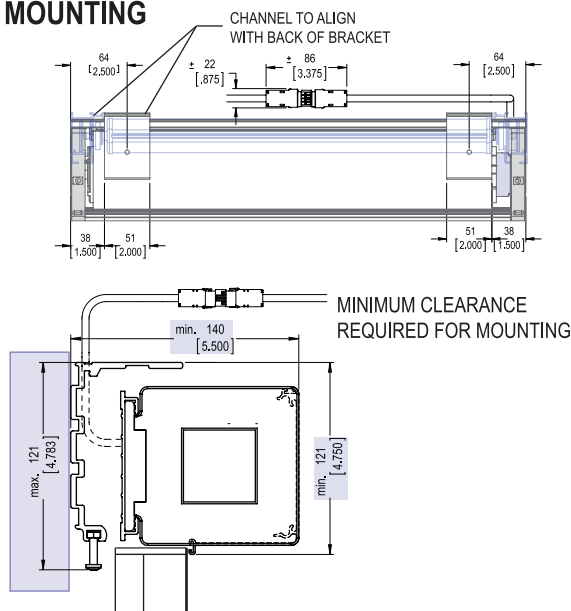


ELEVATION

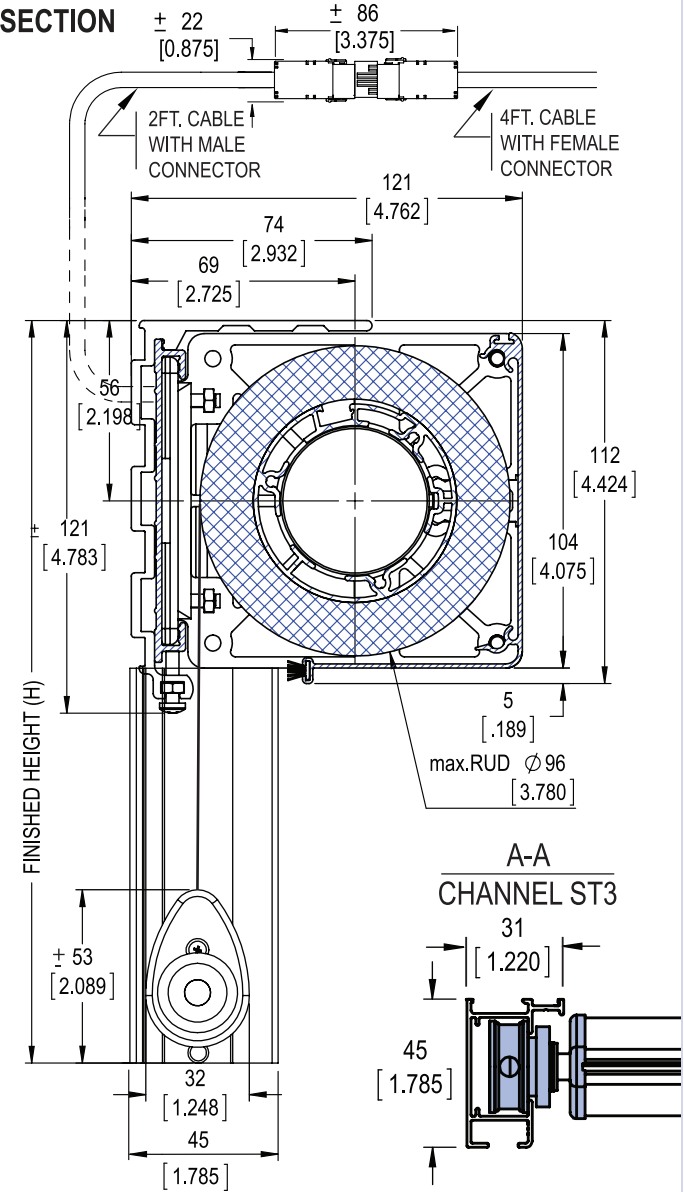


TOLERANCE +/- 1.5mm [0.0625"]
DIMENSIONS mm [inches]

MOUNTING



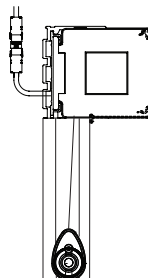
SECTION



MODEL

MDL3-EM63-105-VS-E-50

ROLL STYLE



REGULAR ROLL

NOTE: For size limitation guidelines, please refer to our Size Limitation Detail Sheets or contact our Technical Department.

MONTREAL

T: 800.363.5930

@: info@altex.ca

TORONTO

T: 888.836.6980

@: sales@altex.ca

VANCOUVER

T: 888.980.9899

@: servicewest@altex.ca



ALTEX[®]

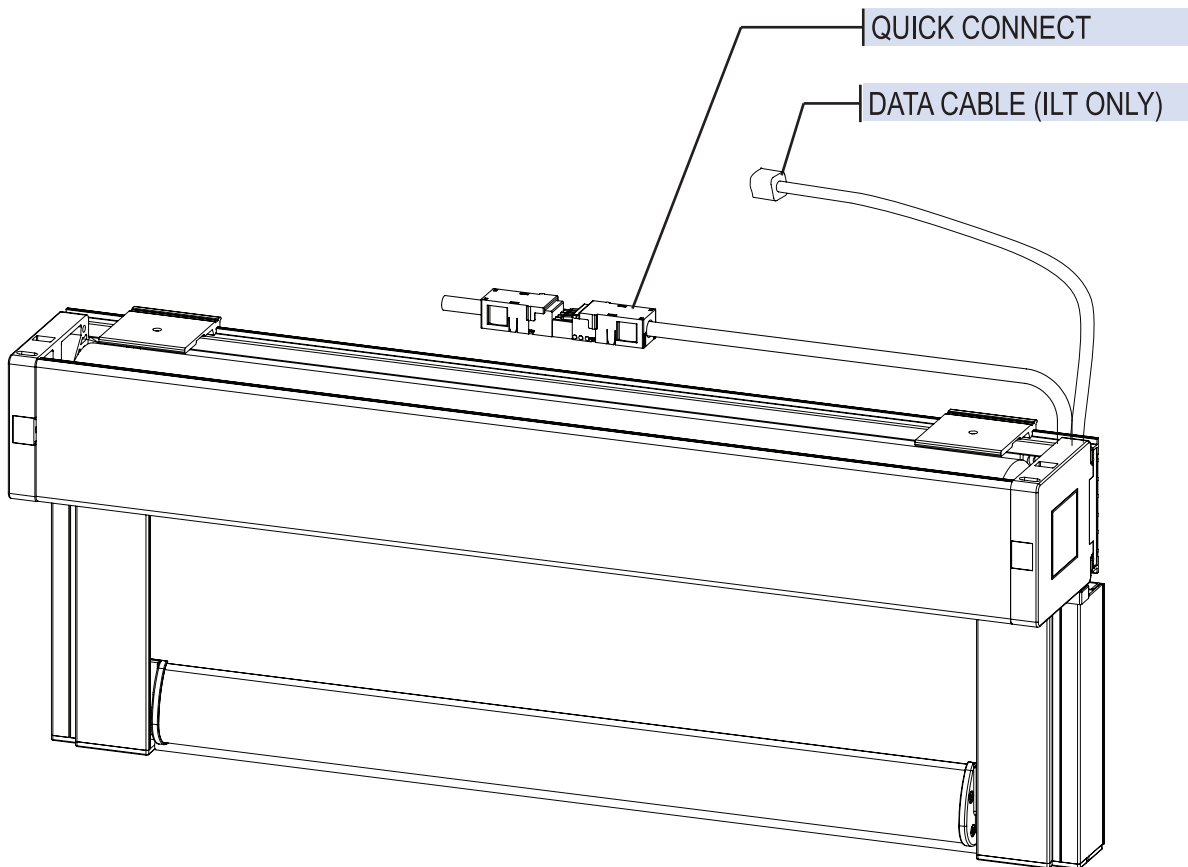
SunProject™
line of products

MODULINE[®] ELEKTRA 105 - 120VAC

E-50 / E- 50 RTS / E-50 ILT MOTOR OPERATED ROLLER SYSTEMS



ELEKTRA	REGULAR MOTOR
WITH OR WITHOUT FASCIA 105	
SHADE HOLDER: STANDARD	
MOTOR TYPE:	E-50 - 120VAC
	E-50 RTS - 120VAC
	E-50 ILT - 120VAC



MDL4-EM-105-E-50

WITH OR WITHOUT FASCIA 105



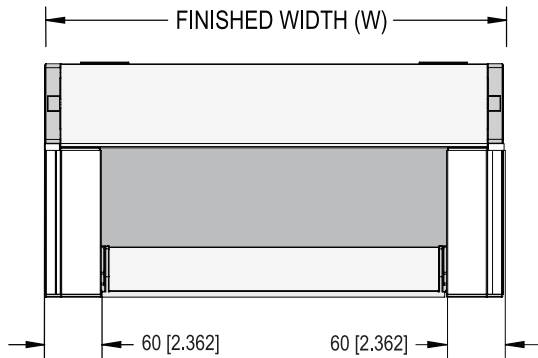
ALTEX[®]
SunProject™
line of products

MODULINE[®] ELEKTRA 105 - 120VAC

E-50 / E- 50 RTS / E-50 ILT MOTOR OPERATED ROLLER SYSTEMS

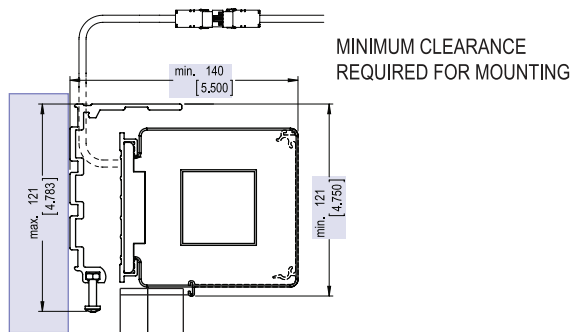
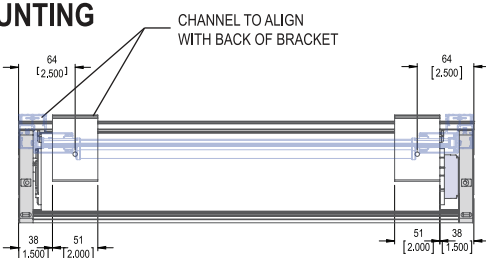


ELEVATION

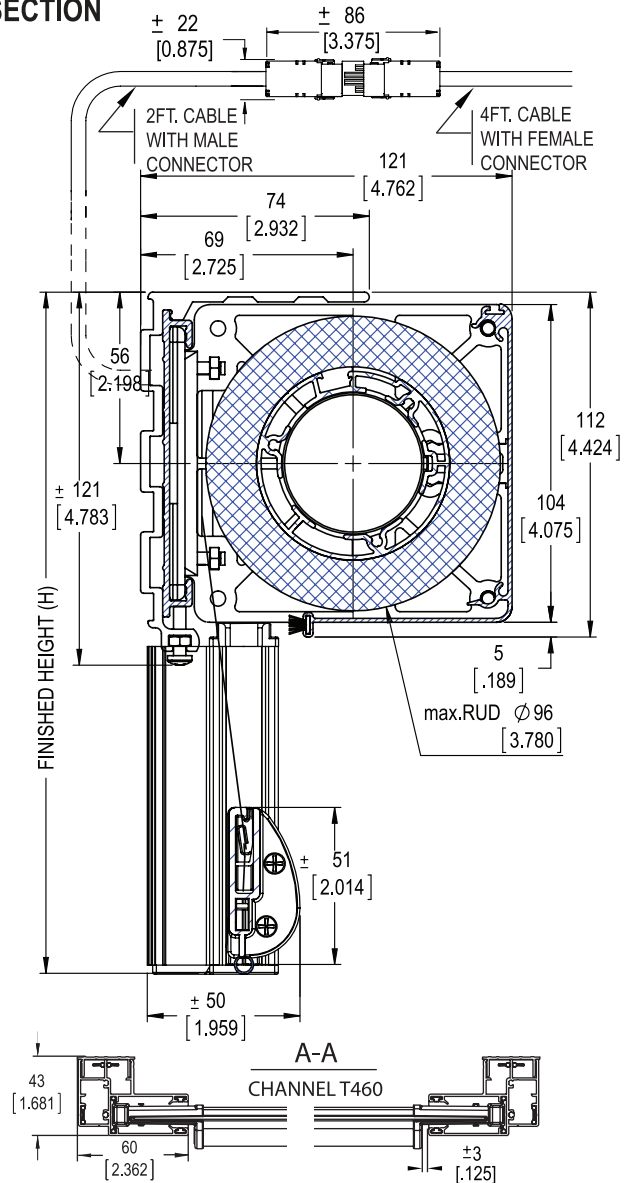


TOLERANCE +/- 1.5mm [0.0625"]
DIMENSIONS mm [inches]

MOUNTING

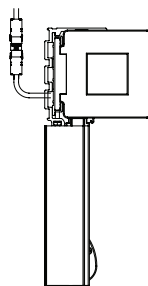


SECTION



MODEL MDL4-EM63-105-VS-E-50

ROLL STYLE



REGULAR ROLL

NOTE: For size limitation guidelines, please refer to our Size Limitation Detail Sheets or contact our Technical Department.

MONTREAL T: 800.363.5930 @: info@altex.ca	TORONTO T: 888.836.6980 @: sales@altex.ca	VANCOUVER T: 888.980.9899 @: servicewest@altex.ca
-------------------------------------------------	-------------------------------------------------	---------------------------------------------------------

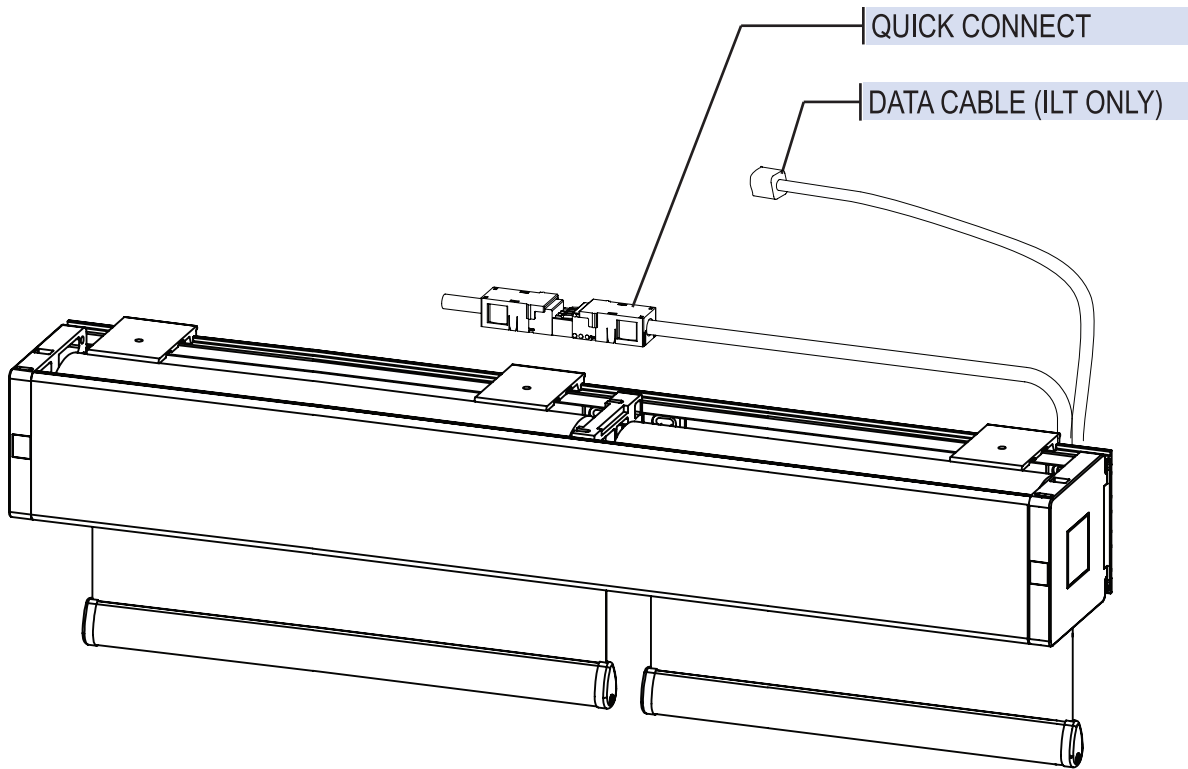


ALTEX[®]
SunProject™
line of products

MODULINE[®] ELEKTRA TANDEM 105 - 120VAC
E-50 / E-50 RTS / E-50 ILT MOTOR OPERATED ROLLER SYSTEMS



- ELEKTRA REGULAR MOTOR
- WITH OR WITHOUT **FASCIA 105**
- SHADE HOLDER: **STANDARD**
- MOTOR TYPE: **E- 50 - 120VAC**
- E- 50 RTS - 120VAC**
- E- 50 ILT - 120VAC**



MULTIBANDS AVAILABLE IN: 2B 3B 4B

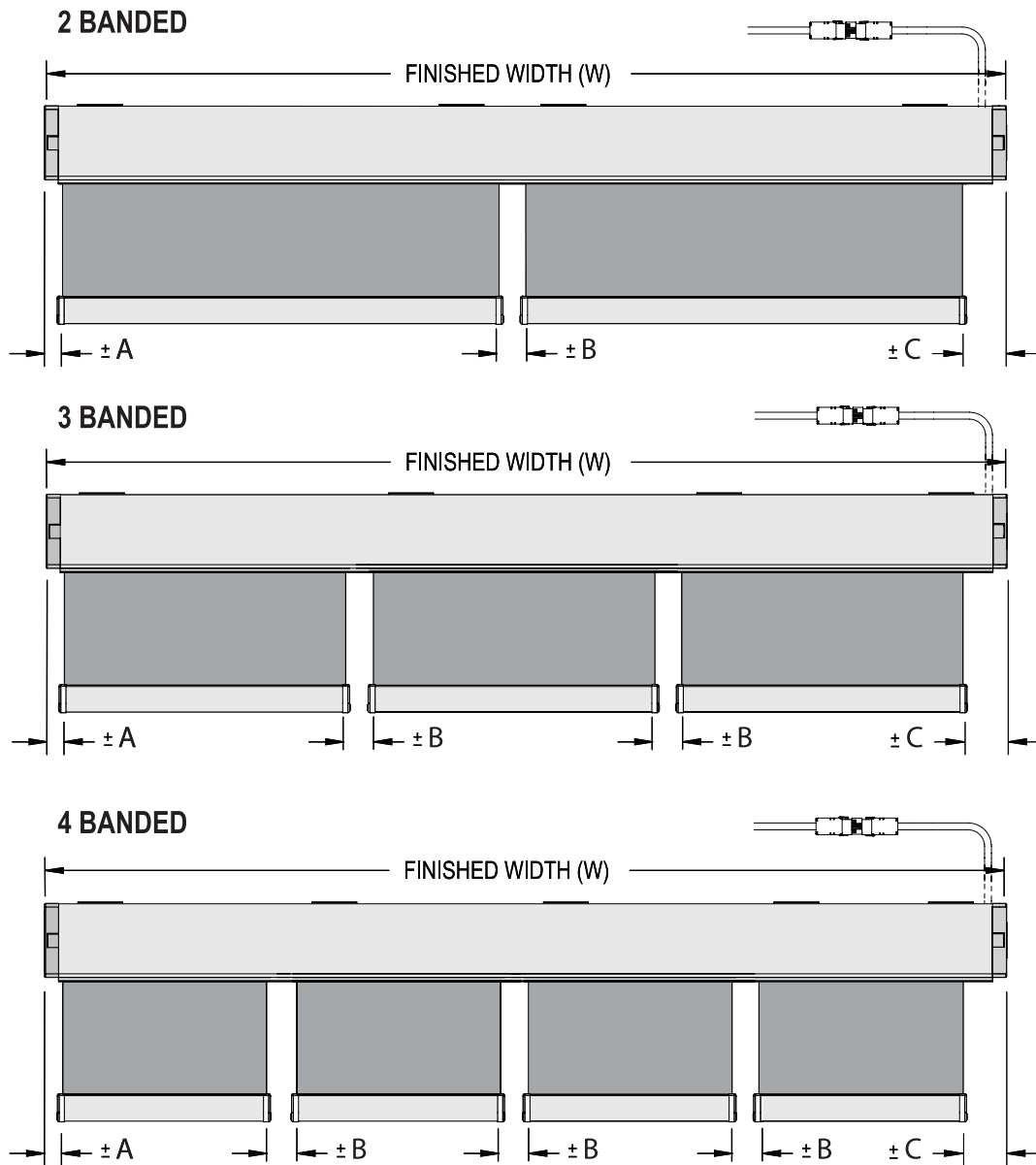
2 BANDED SYSTEM SHOWN

MDL1-EM-105-E50-TANDEM

WITH OR WITHOUT FASCIA 105



AVAILABLE TANDEM OPTIONS

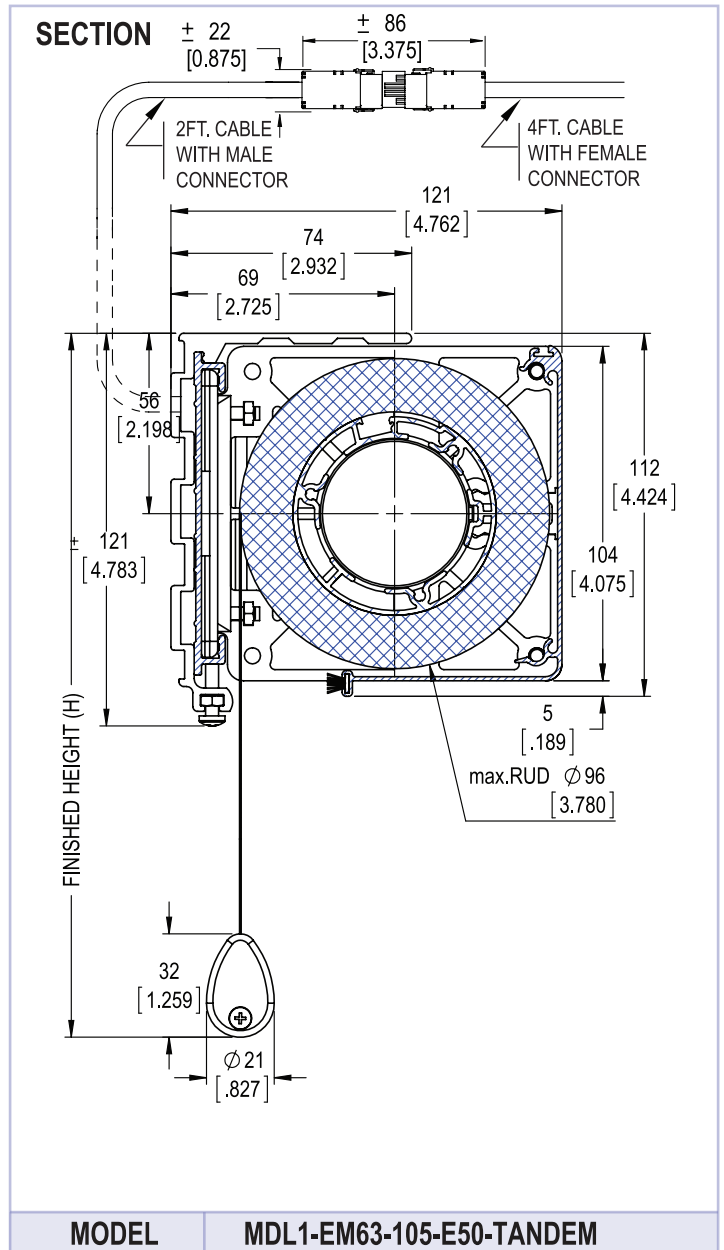
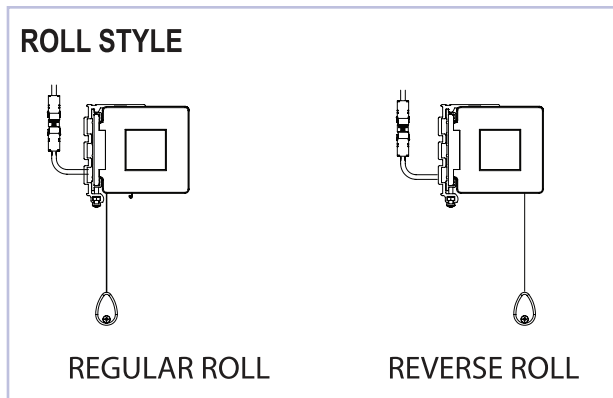
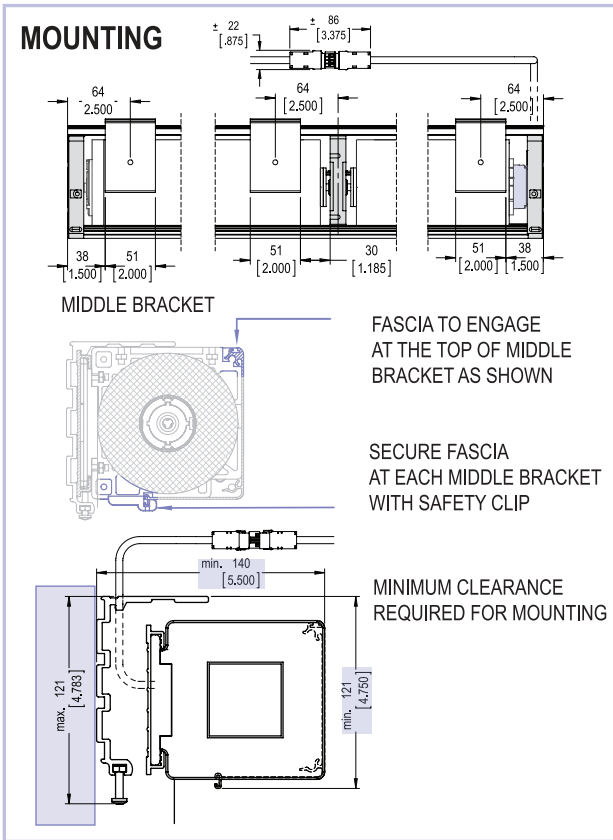


EDGE CLEARANCE	A	B	C
DIMENSION	± 22 [0.875"]	± 44 [1.732"]	± 38 [1.500"]



ALTEX[®]
SunProject™
line of products

MODULINE[®] ELEKTRA TANDEM 105 - 120VAC E-50 / E-50 RTS / E-50 ILT MOTOR OPERATED ROLLER SYSTEMS



NOTE: For size limitation guidelines, please refer to our Size Limitation Detail Sheets or contact our Technical Department.

MONTREAL T: 800.363.5930 @: info@altex.ca	TORONTO T: 888.836.6980 @: sales@altex.ca	VANCOUVER T: 888.980.9899 @: servicewest@altex.ca
--------------------------------------------------------	--------------------------------------------------------	----------------------------------------------------------------



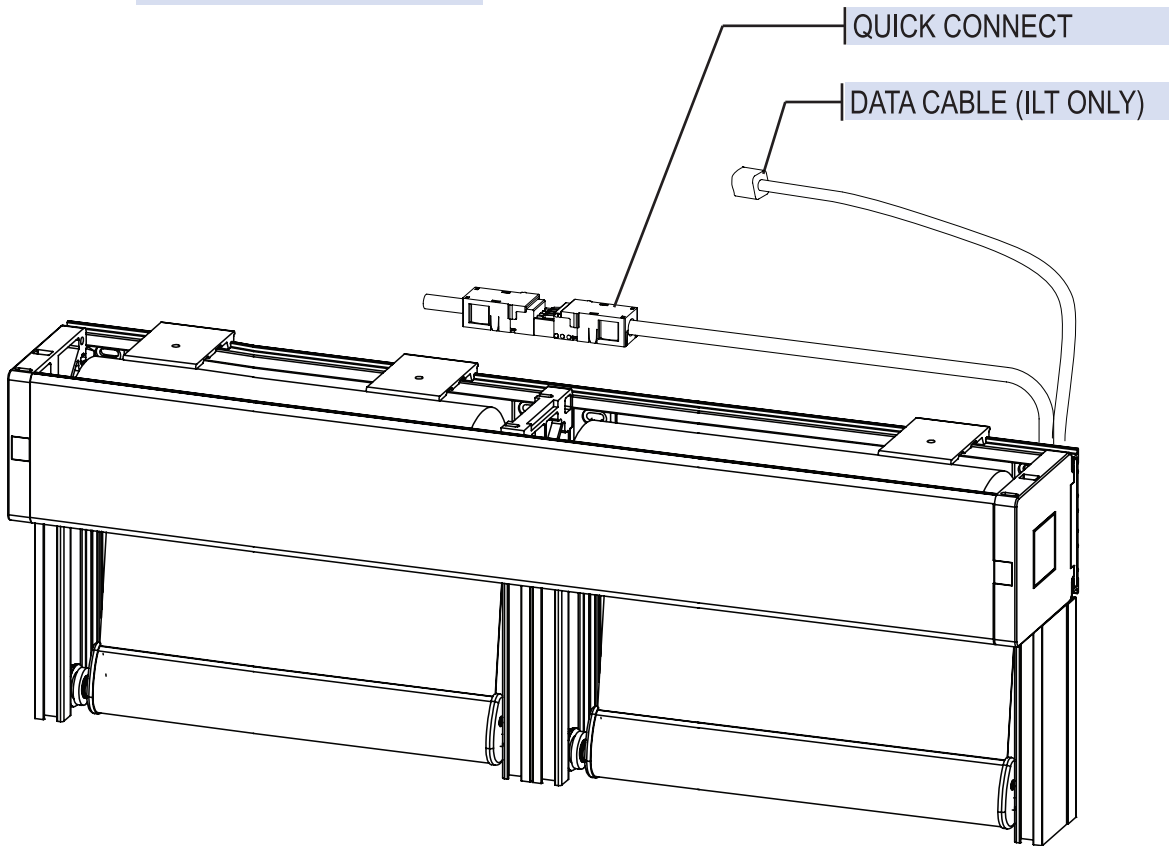
ALTEX[®]

SunProject™
line of products

MODULINE[®] ELEKTRA TANDEM 105 - 120VAC E-50 / E-50 RTS / E-50 ILT MOTOR OPERATED ROLLER SYSTEMS

MODULINE[®] system

- ELEKTRA REGULAR MOTOR
- WITH OR WITHOUT **FASCIA 105**
- SHADE HOLDER: **STANDARD**
- CHANNEL: **ST-3**
- MOTOR TYPE: **E- 50 - 120VAC**
- E- 50 RTS - 120VAC**
- E- 50 ILT - 120VAC**

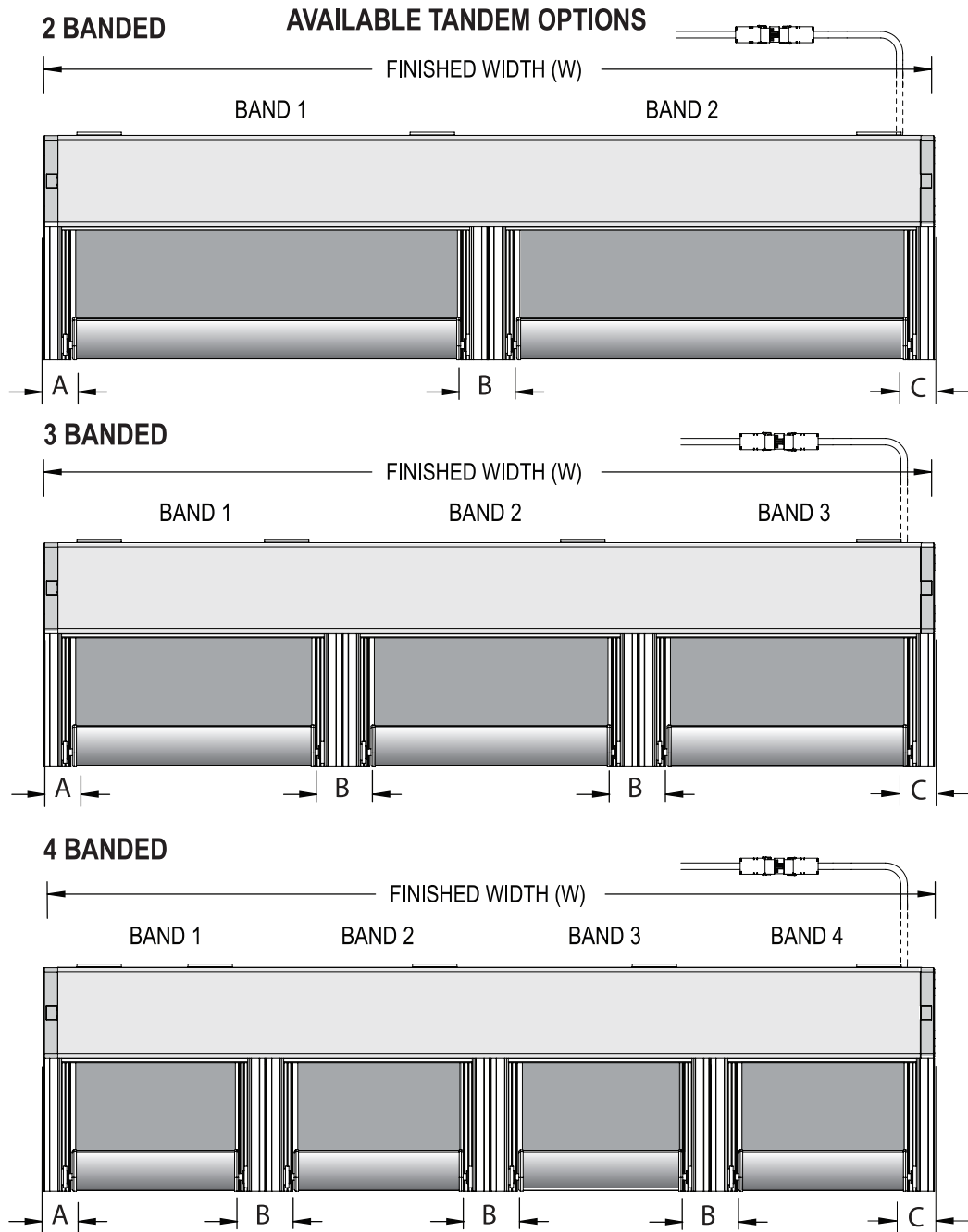


MULTIBANDS AVAILABLE IN: 2B 3B 4B

2 BANDED SYSTEM SHOWN

MDL3-EM-105-E50-TANDEM

WITH OR WITHOUT FASCIA 105

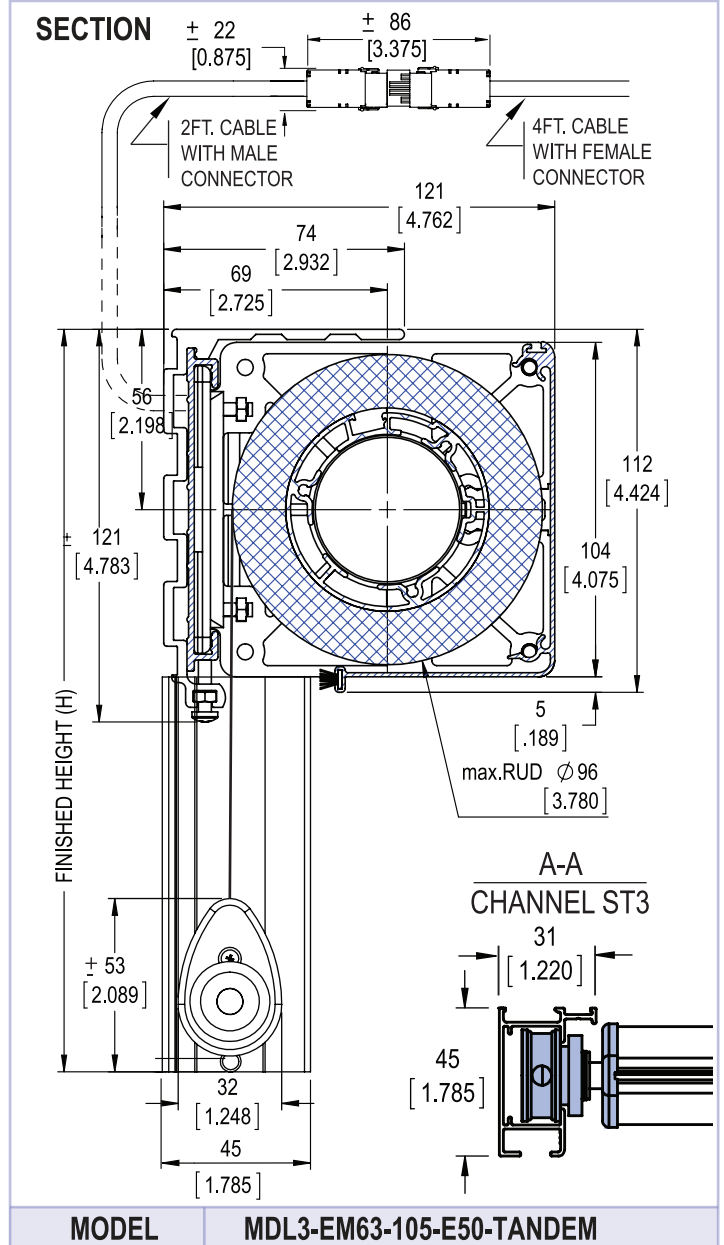
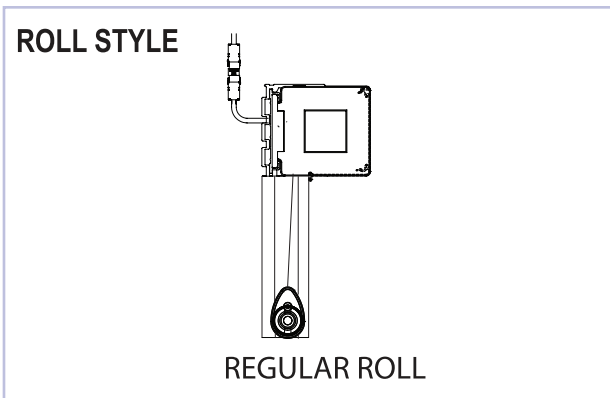
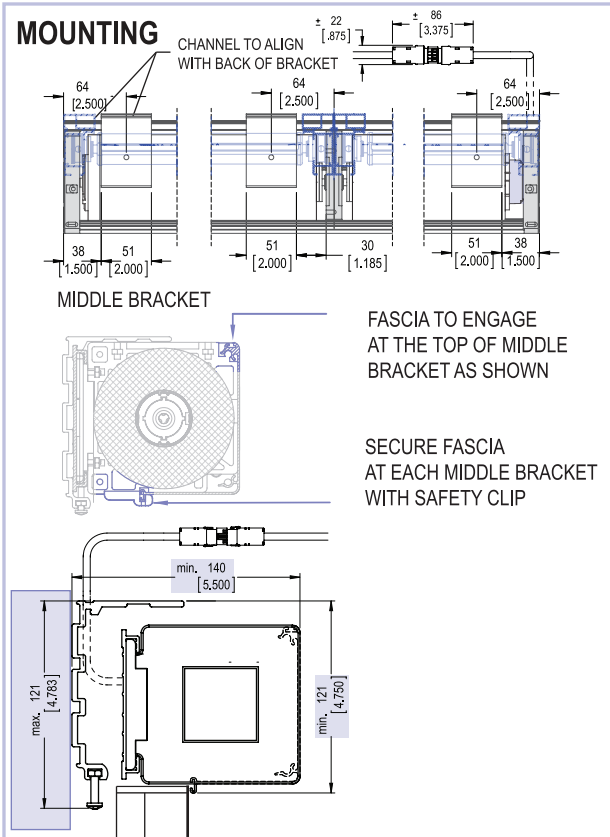


CHANNEL	A	B	C
	ST3	2 x ST3	ST3
	± 31 [1.220"]	± 62 [2.441"]	± 31 [1.220"]
DIMENSION			



ALTEX[®]
SunProject™
line of products

MODULINE[®] ELEKTRA TANDEM 105 - 120VAC E-50 / E-50 RTS / E-50 ILT MOTOR OPERATED ROLLER SYSTEMS



NOTE: For size limitation guidelines, please refer to our Size Limitation Detail Sheets or contact our Technical Department.

MONTREAL T: 800.363.5930 @: info@altex.ca	TORONTO T: 888.836.6980 @: sales@altex.ca	VANCOUVER T: 888.980.9899 @: servicewest@altex.ca
-------------------------------------------------	-------------------------------------------------	---------------------------------------------------------



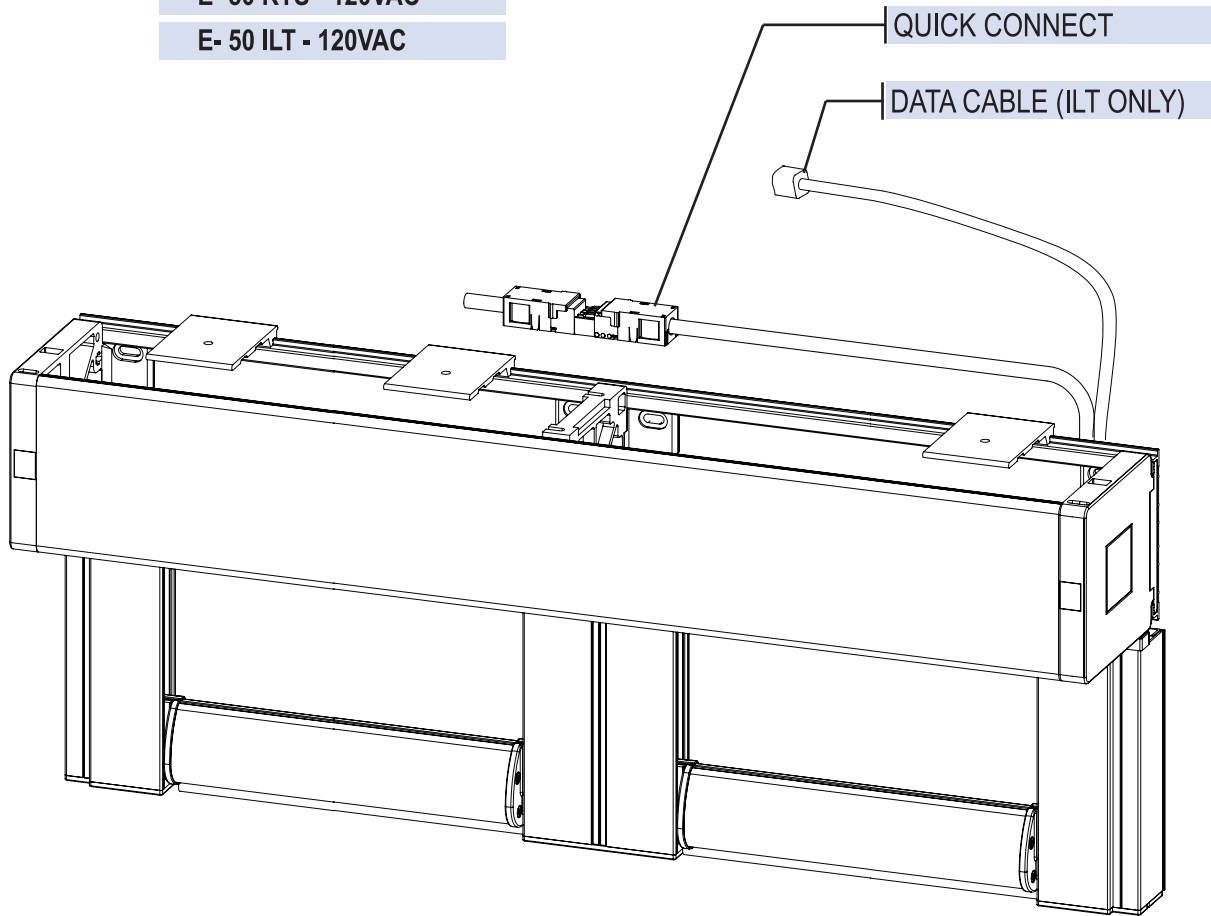
ALTEX[®]

SunProject™
line of products

MODULINE[®] ELEKTRA TANDEM 105 - 120VAC E-50 / E-50 RTS / E-50 ILT MOTOR OPERATED ROLLER SYSTEMS



- ELEKTRA REGULAR MOTOR
- WITH OR WITHOUT **FASCIA 105**
- SHADE HOLDER: **STANDARD**
- CHANNEL: **T-460**
- MOTOR TYPE: **E- 50 - 120VAC**
- E- 50 RTS - 120VAC**
- E- 50 ILT - 120VAC**



MULTIBANDS AVAILABLE IN: 2B 3B 4B

2 BANDED SYSTEM SHOWN

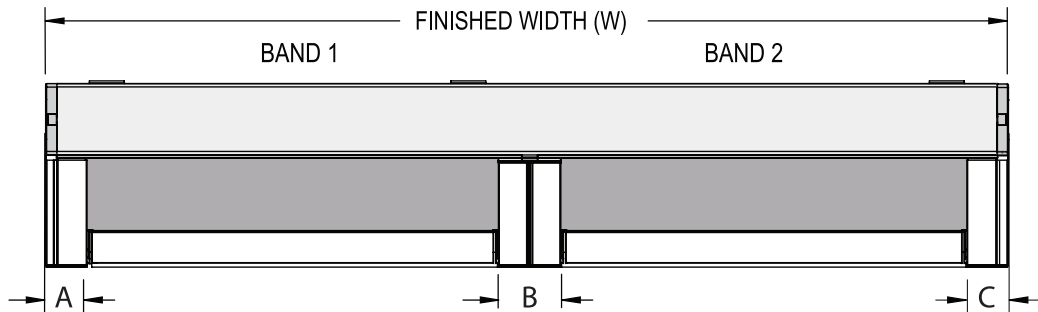
MDL4-EM-105-E50-TANDEM

WITH OR WITHOUT FASCIA 105

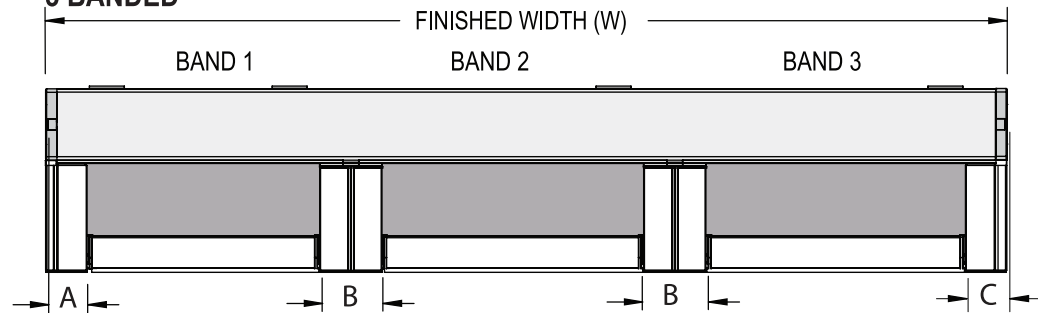


AVAILABLE TANDEM OPTIONS

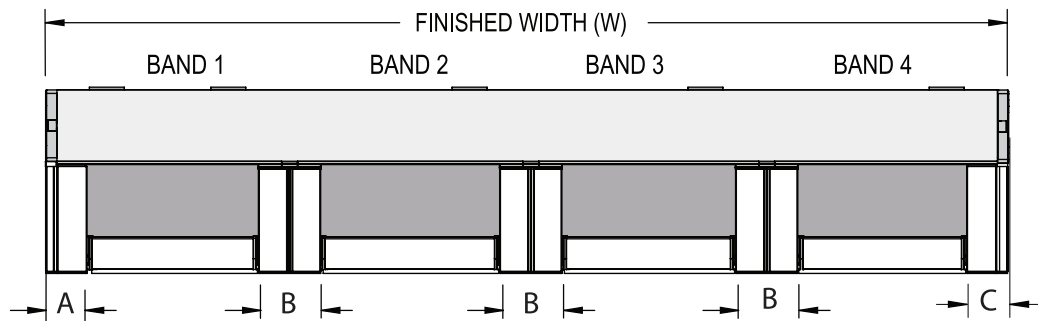
2 BANDED



3 BANDED

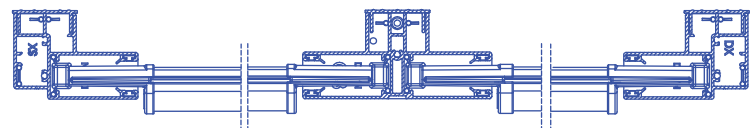


4 BANDED



CHANNEL	A	B	C
	T-460	T-490	T-460
	± 60 [2.362"]	± 90 [3.543"]	± 60 [2.362"]

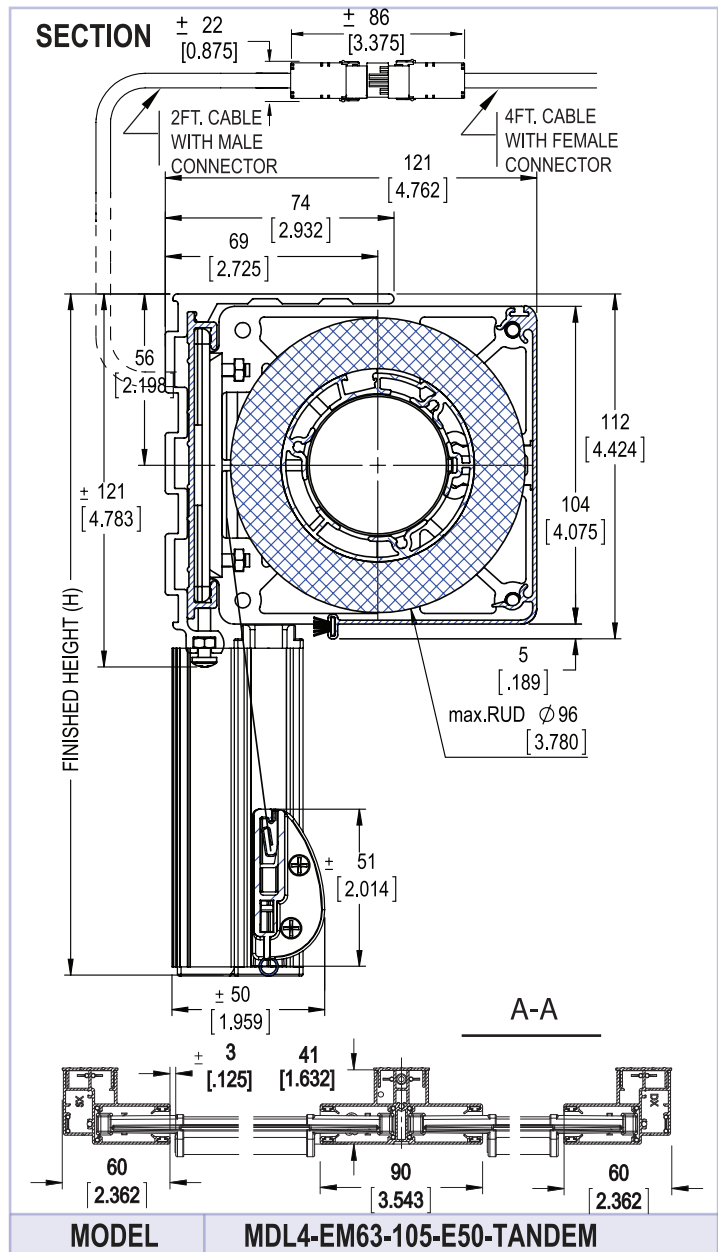
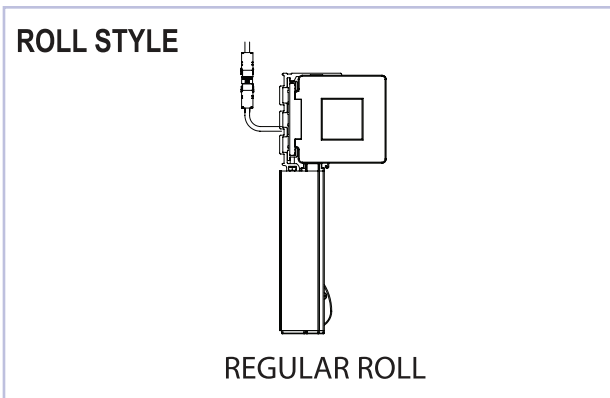
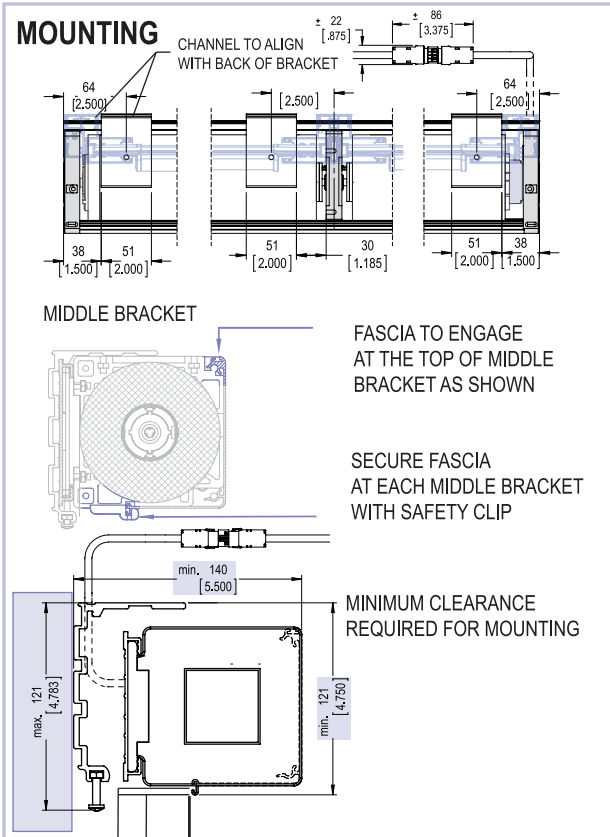
DIMENSION





ALTEX[®]
SunProject™
line of products

MODULINE[®] ELEKTRA TANDEM 105 - 120VAC E-50 / E-50 RTS / E-50 ILT MOTOR OPERATED ROLLER SYSTEMS



NOTE: For size limitation guidelines, please refer to our Size Limitation Detail Sheets or contact our Technical Department.

MONTREAL T: 800.363.5930 @: info@altex.ca	TORONTO T: 888.836.6980 @: sales@altex.ca	VANCOUVER T: 888.980.9899 @: servicewest@altex.ca
-------------------------------------------------	-------------------------------------------------	---------------------------------------------------------



ALTEX[®]
SunProject™
line of products

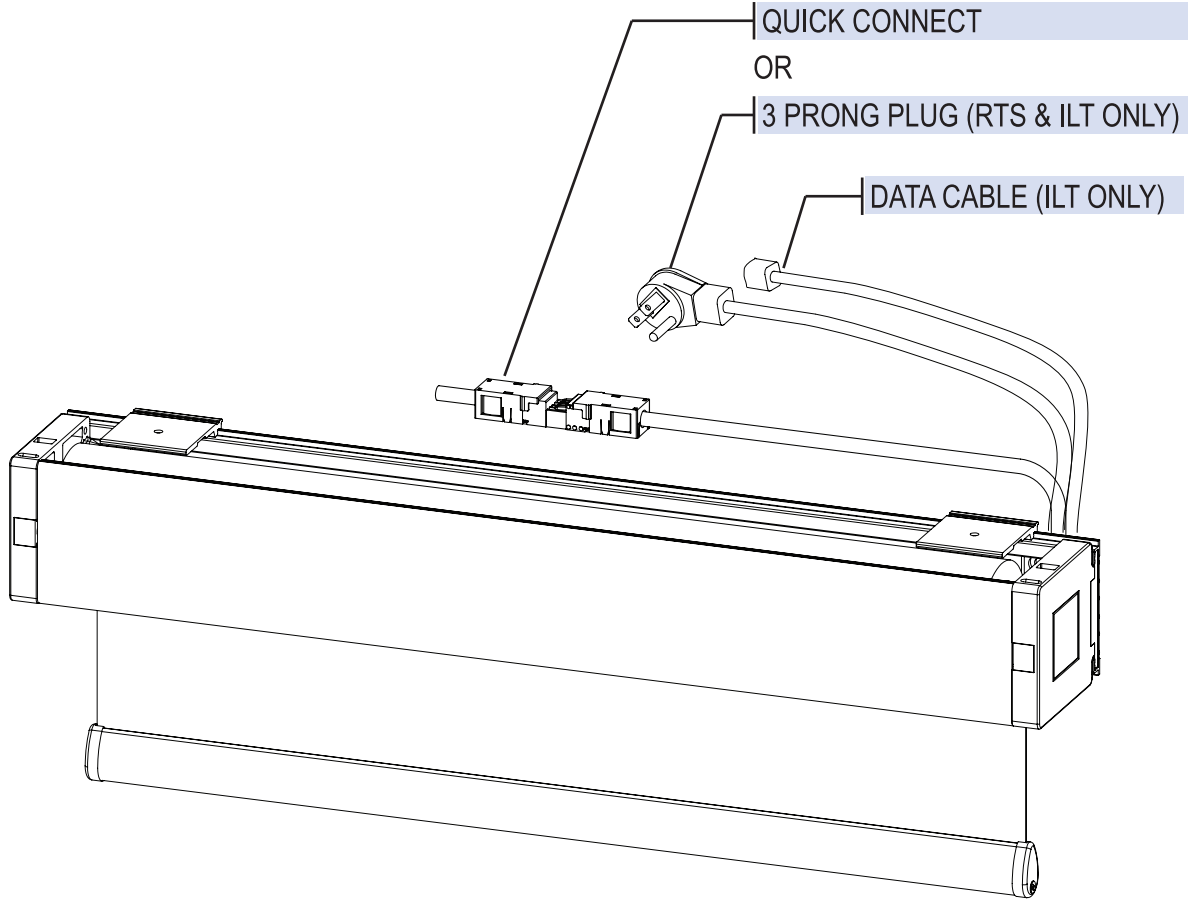
MODULINE[®] ELEKTRA 105 ULTRA QUIET - 120VAC
UQM 50 / UQM 50 RTS / UQM 50 ILT MOTOR OPERATED ROLLER SYSTEMS



ELEKTRA	ULTRA QUIET MOTOR
WITH OR WITHOUT FASCIA 105	
SHADE HOLDER: STANDARD	
MOTOR TYPE:	UQM 50 - 120VAC
	UQM 50 RTS - 120VAC
	UQM 50 ILT - 120VAC

AVAILABLE IN :

- QUICK CONNECT
- OR
- 3 PRONG PLUG (RTS & ILT ONLY)
- DATA CABLE (ILT ONLY)



MDL1-EM63-105-UQM 50

WITH OR WITHOUT FASCIA 105



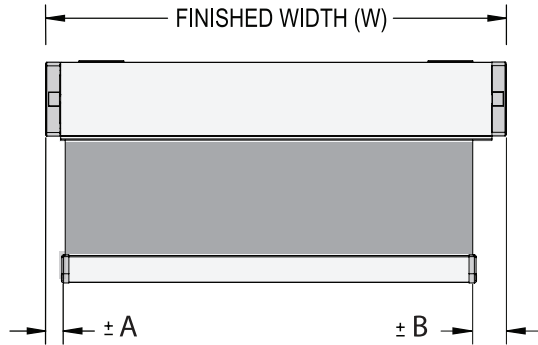
ALTEX[®]
SunProject™
line of products

MODULINE[®] ELEKTRA 105 ULTRA QUIET - 120VAC

UQM 50 / UQM 50 RTS / UQM 50 ILT MOTOR OPERATED ROLLER SYSTEMS



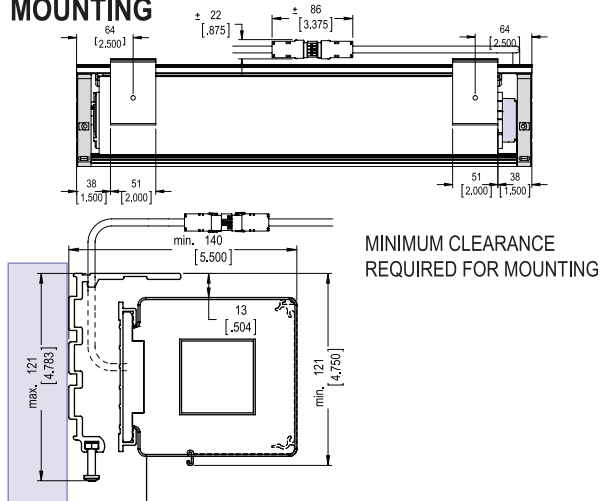
ELEVATION



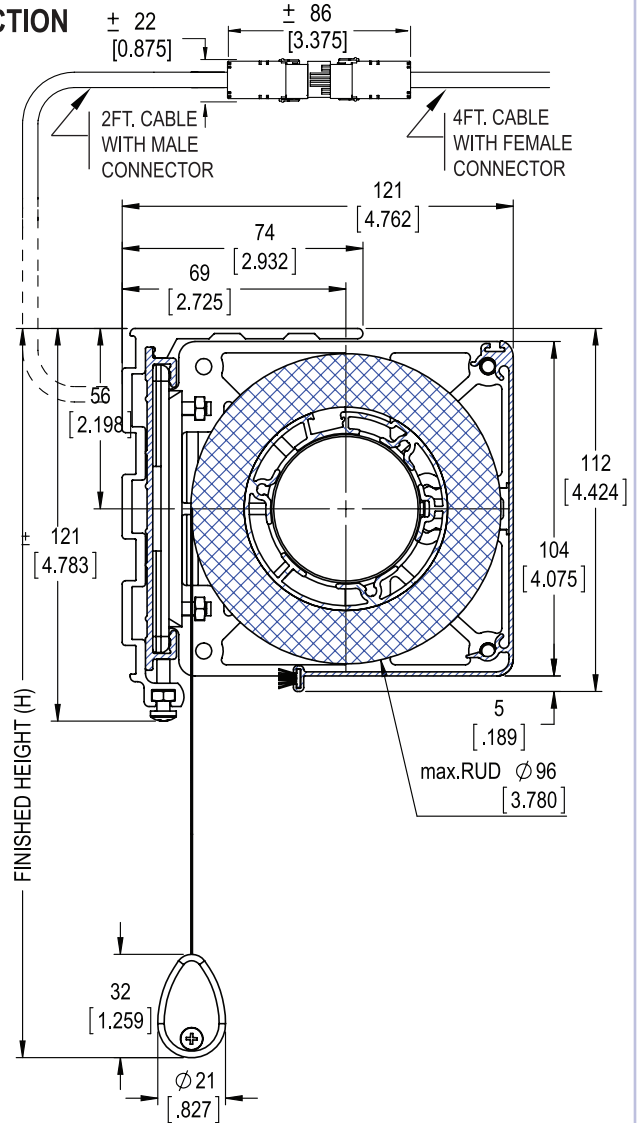
TOLERANCE +/- 1.5mm [0.0625"]
DIMENSIONS mm [inches]

DIMENSION	FABRIC EDGE CLEARANCE [±mm / ±in] BY TUBE TYPE						22	0.875	
	32	38	46	53	63	63			
A	n/a	n/a	n/a	n/a	n/a	n/a	n/a	22	0.875
B	n/a	n/a	n/a	n/a	n/a	n/a	n/a	38	1.500

MOUNTING



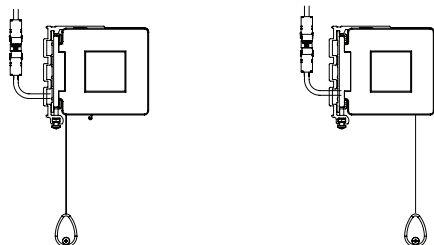
SECTION



TOLERANCE +/-1.5mm [0.0625"] DIMENSIONS mm [inches]

MODEL MDL1-EM63-105-VS-UQM50

ROLL STYLE



REGULAR ROLL

REVERSE ROLL

NOTE: For size limitation guidelines, please refer to our Size Limitation Detail Sheets or contact our Technical Department.

MONTREAL

T: 800.363.5930

@: info@altex.ca

TORONTO

T: 888.836.6980

@: sales@altex.ca

VANCOUVER

T: 888.980.9899

@: servicewest@altex.ca



ALTEX[®]
SunProject™
line of products

MODULINE[®] ELEKTRA 105 ULTRA QUIET - 120VAC
UQM 50 / UQM 50 RTS / UQM 50 ILT MOTOR OPERATED ROLLER SYSTEMS



ELEKTRA ULTRA QUIET MOTOR

WITH OR WITHOUT **FASCIA 105**

SHADE HOLDER: **STANDARD**

CHANNEL: **ST-3**

MOTOR TYPE: **UQM 50 - 120VAC**

UQM 50 RTS - 120VAC

UQM 50 ILT - 120VAC

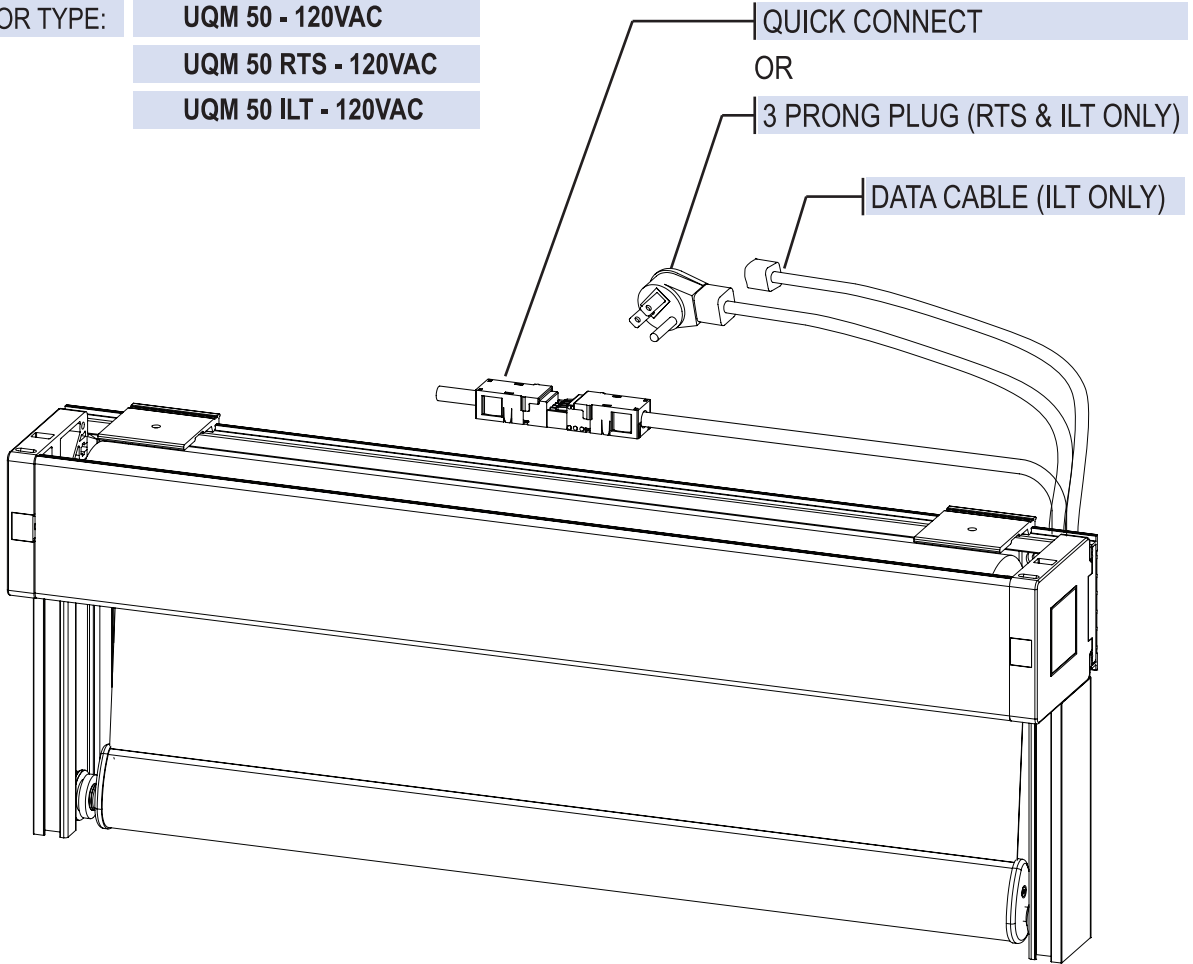
AVAILABLE IN :

QUICK CONNECT

OR

3 PRONG PLUG (RTS & ILT ONLY)

DATA CABLE (ILT ONLY)



MDL3-EM-105-UQM 50

WITH OR WITHOUT FASCIA 105



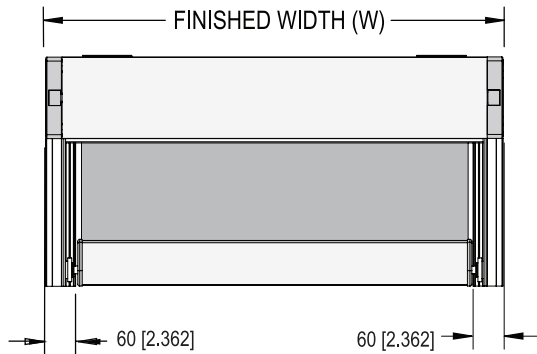
ALTEX[®]
SunProject™
line of products

MODULINE[®] ELEKTRA 105 ULTRA QUIET - 120VAC

UQM 50 / UQM 50 RTS / UQM 50 ILT MOTOR OPERATED ROLLER SYSTEMS

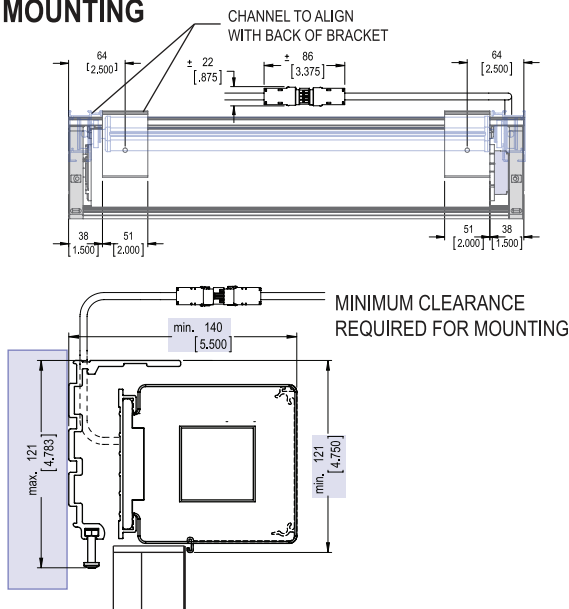


ELEVATION

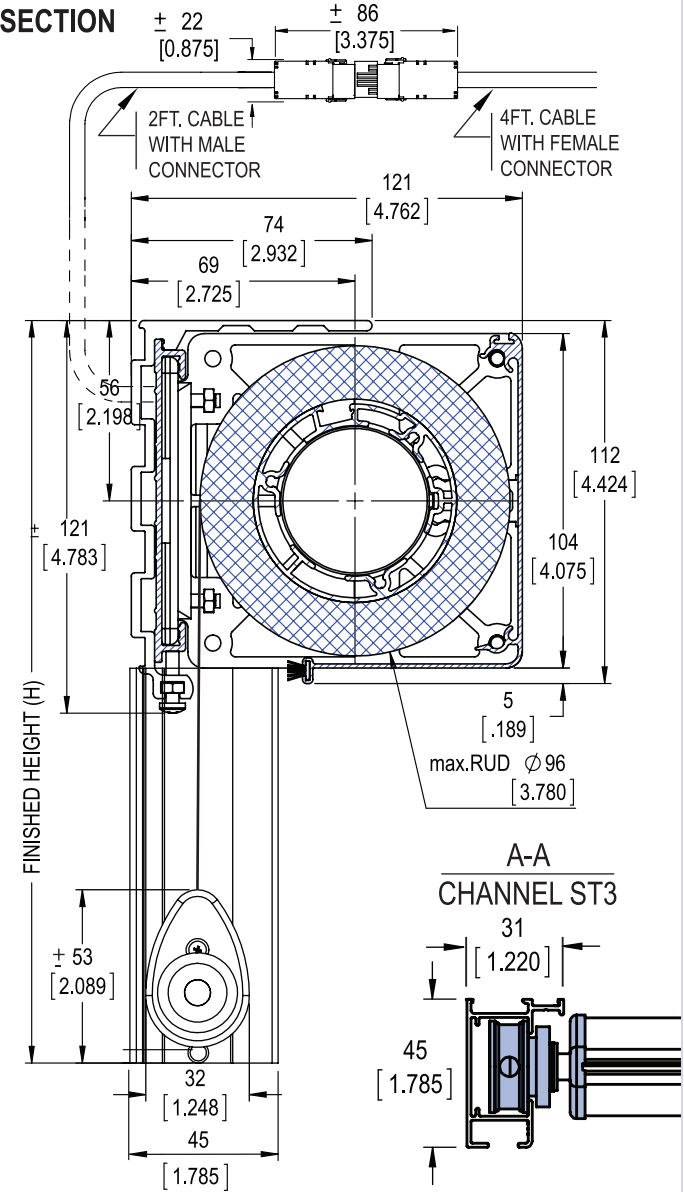


TOLERANCE +/- 1.5mm [0.0625"]
DIMENSIONS mm [inches]

MOUNTING

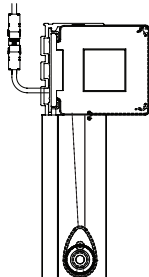


SECTION



MODEL MDL3-EM63-105-VS-UQM50

ROLL STYLE



REGULAR ROLL

NOTE: For size limitation guidelines, please refer to our Size Limitation Detail Sheets or contact our Technical Department.

MONTREAL T: 800.363.5930 @: info@altex.ca	TORONTO T: 888.836.6980 @: sales@altex.ca	VANCOUVER T: 888.980.9899 @: servicewest@altex.ca
-------------------------------------------------	-------------------------------------------------	---------------------------------------------------------



ALTEX[®]
SunProject™
line of products

MODULINE[®] ELEKTRA 105 ULTRA QUIET - 120VAC
UQM 50 / UQM 50 RTS / UQM 50 ILT MOTOR OPERATED ROLLER SYSTEMS



ELEKTRA ULTRA QUIET MOTOR

WITH OR WITHOUT FASCIA 105

SHADE HOLDER: **STANDARD**

CHANNEL: **T-460**

MOTOR TYPE: **UQM 50 - 120VAC**

UQM 50 RTS - 120VAC

UQM 50 ILT - 120VAC

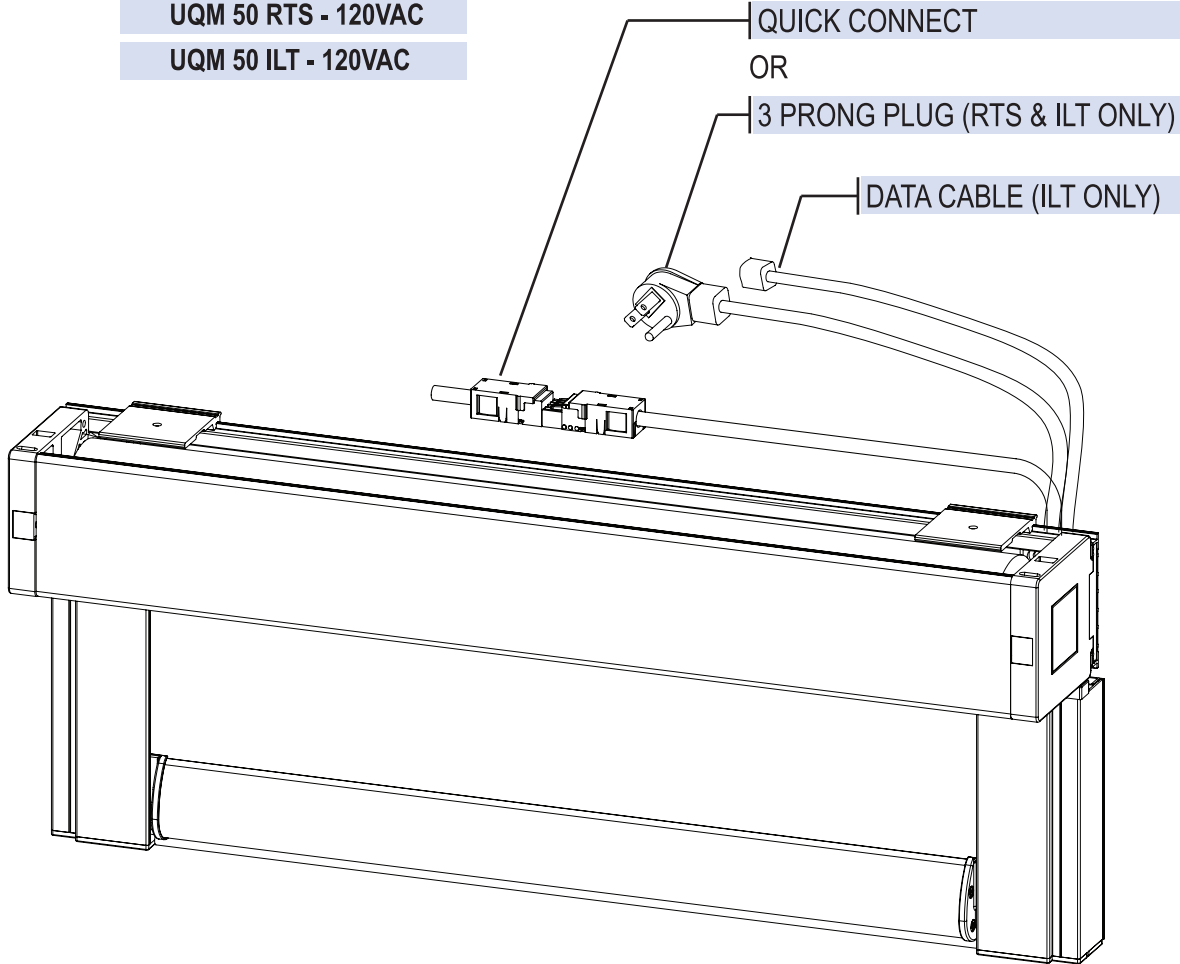
AVAILABLE IN :

QUICK CONNECT

OR

3 PRONG PLUG (RTS & ILT ONLY)

DATA CABLE (ILT ONLY)



MDL4-EM-105-UQM 50

WITH OR WITHOUT FASCIA 105



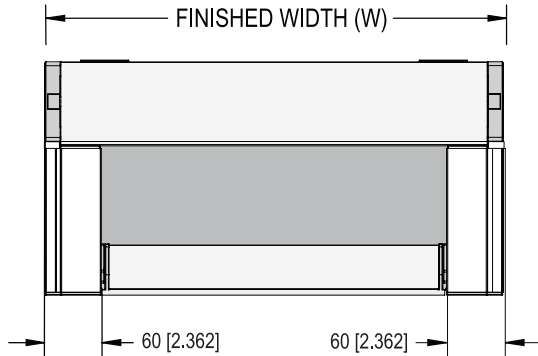
ALTEX[®]
SunProject™
line of products

MODULINE[®] ELEKTRA 105 ULTRA QUIET - 120VAC

UQM 50 / UQM 50 RTS / UQM 50 ILT MOTOR OPERATED ROLLER SYSTEMS

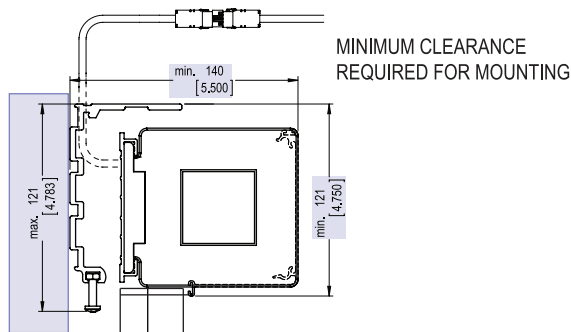
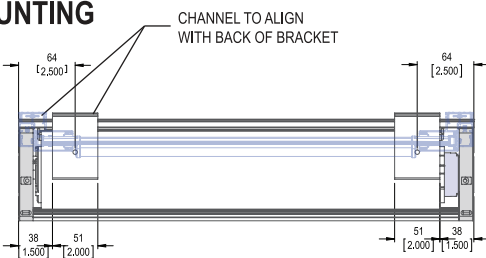


ELEVATION

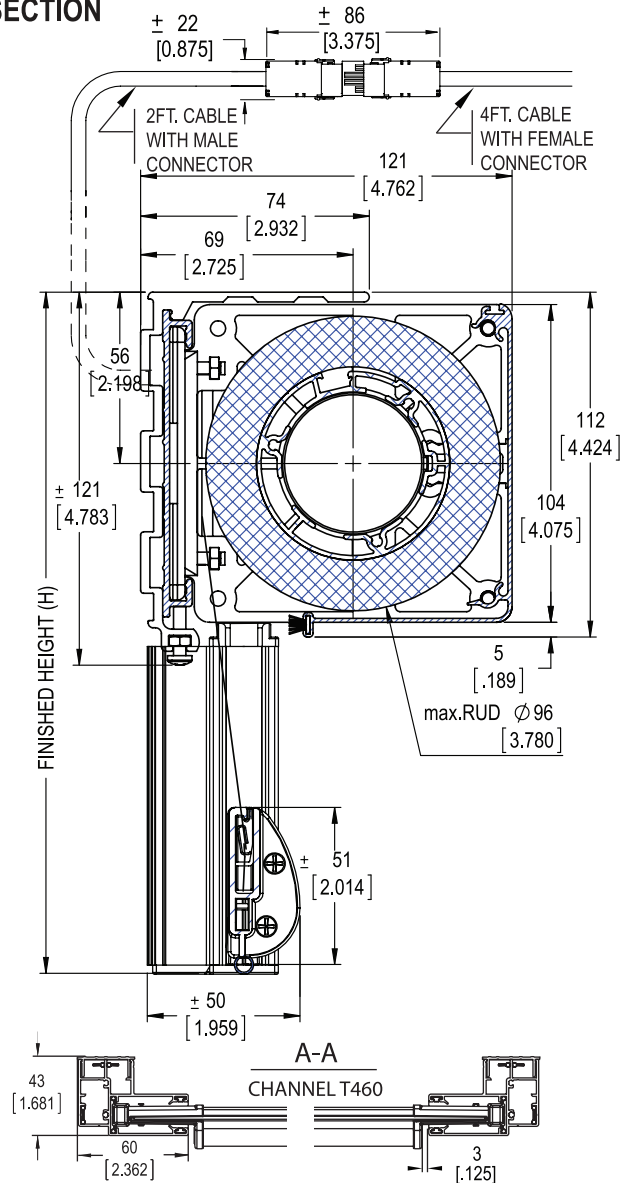


TOLERANCE +/- 1.5mm [0.0625"]
DIMENSIONS mm [inches]

MOUNTING

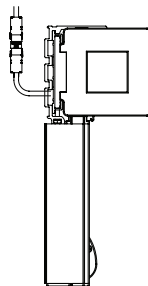


SECTION



MODEL MDL4-EM63-105-VS-UQM50

ROLL STYLE



REGULAR ROLL

NOTE: For size limitation guidelines, please refer to our Size Limitation Detail Sheets or contact our Technical Department.

MONTREAL T: 800.363.5930 @: info@altex.ca	TORONTO T: 888.836.6980 @: sales@altex.ca	VANCOUVER T: 888.980.9899 @: servicewest@altex.ca
--------------------------------------------------------	--------------------------------------------------------	----------------------------------------------------------------



ALTEX[®]

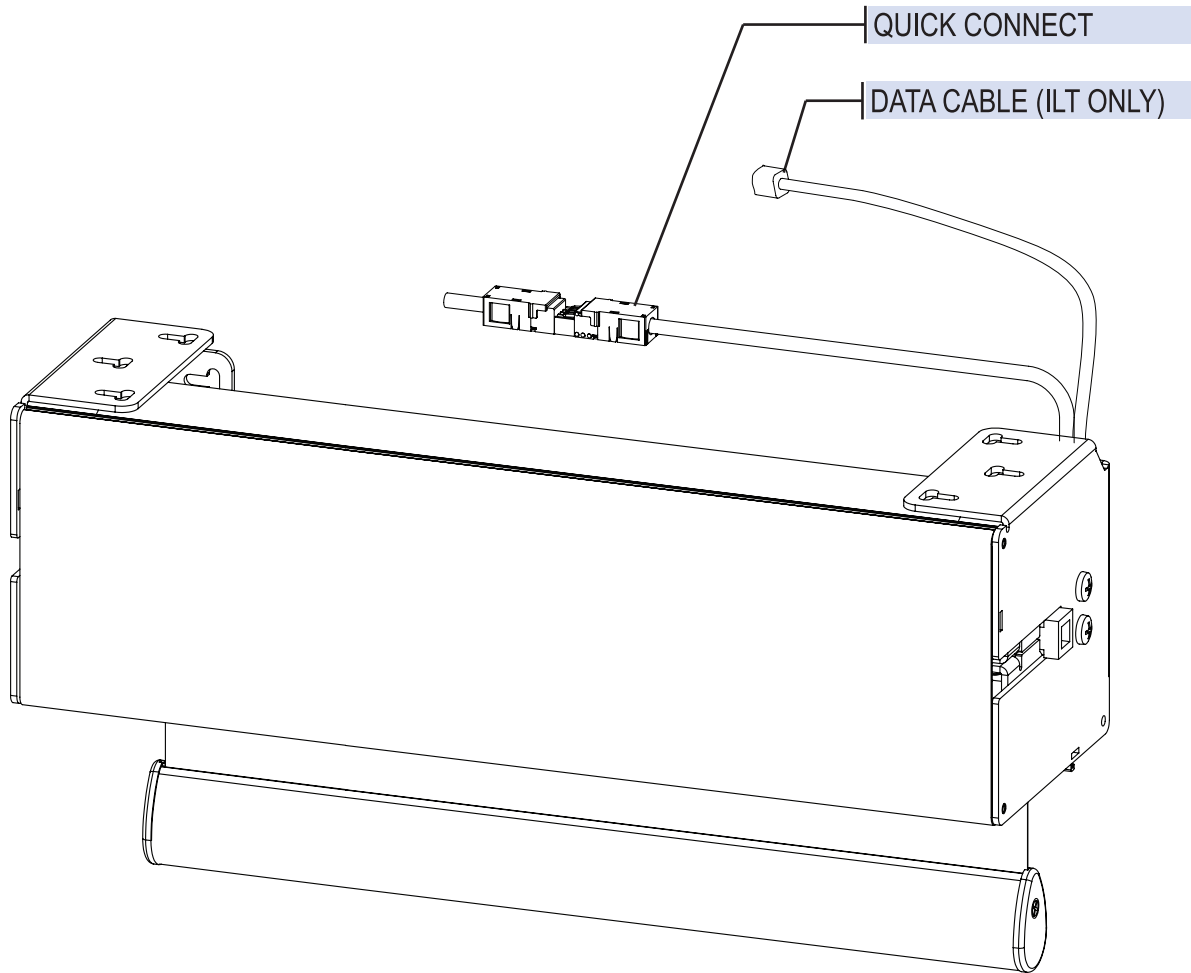
SunProject™
line of products

MODULINE[®] ELEKTRA 140 - 120VAC

E-50 / E- 50 RTS / E-50 ILT MOTOR OPERATED ROLLER SYSTEMS



ELEKTRA	REGULAR MOTOR
WITH OR WITHOUT FASCIA 140	
SHADE HOLDER: N/A	
MOTOR TYPE:	E- 50 - 120VAC
	E- 50 RTS - 120VAC
	E- 50 ILT - 120VAC



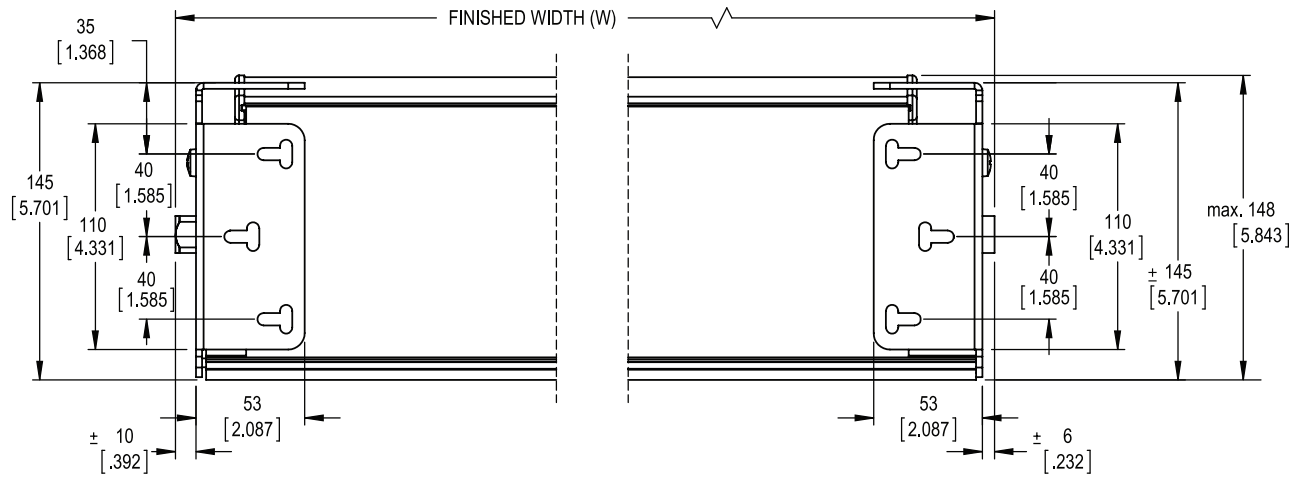
E-50 ILT MOTOR MODEL SHOWN

MDL1-EM-140-E50 ILT

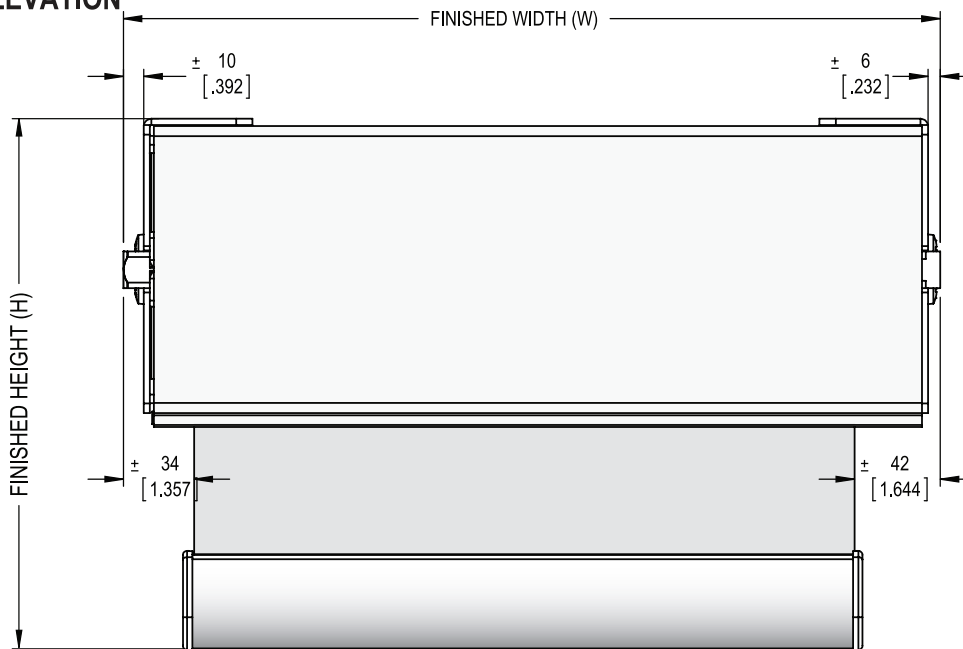
WITH OR WITHOUT FASCIA 140



TOP VIEW



ELEVATION

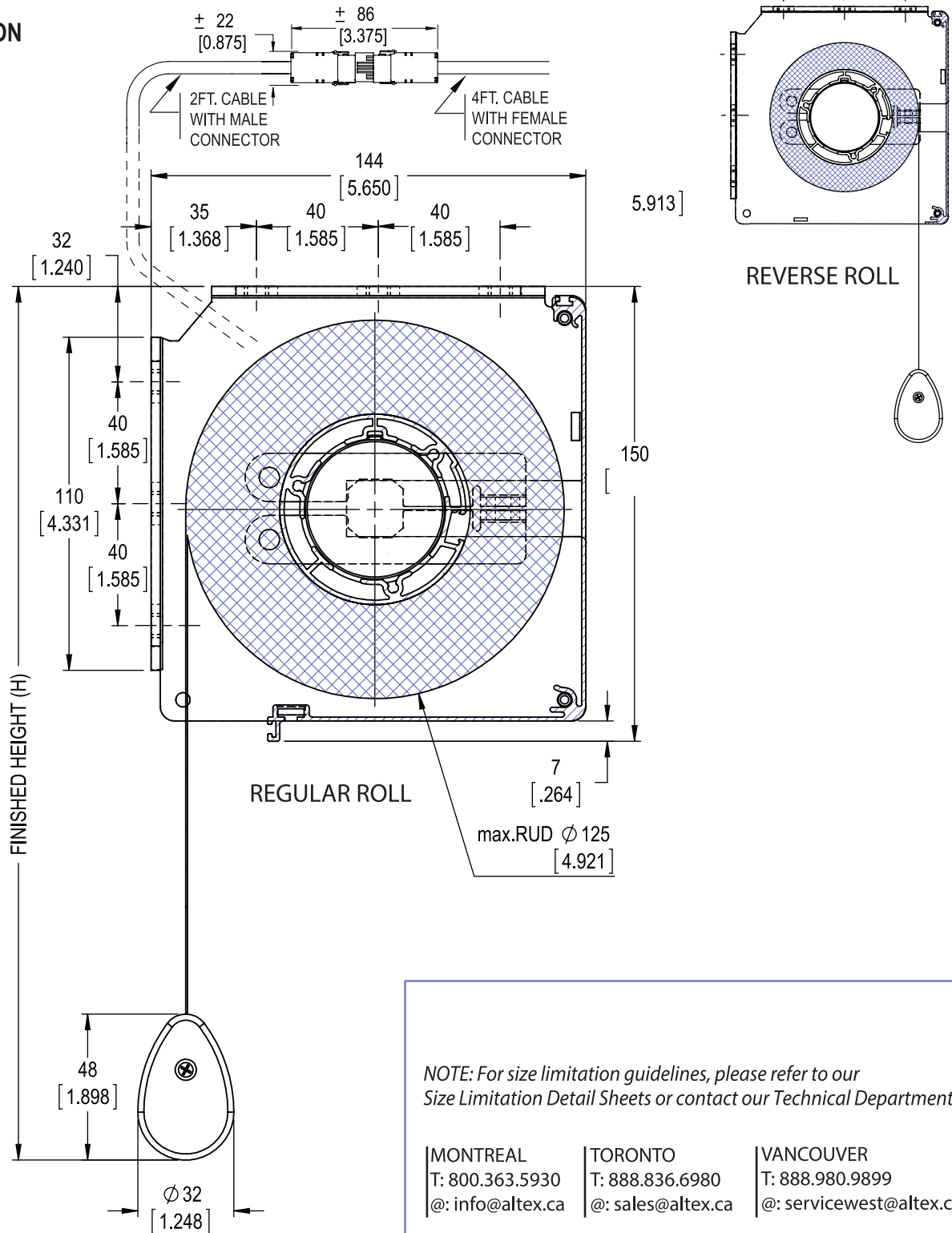


MDL1-EM-140-E50

WITH OR WITHOUT FASCIA 140



SECTION



NOTE: For size limitation guidelines, please refer to our Size Limitation Detail Sheets or contact our Technical Department.

MONTREAL T: 800.363.5930 @: info@altex.ca	TORONTO T: 888.836.6980 @: sales@altex.ca	VANCOUVER T: 888.980.9899 @: servicewest@altex.ca
-------------------------------------------------	-------------------------------------------------	---------------------------------------------------------

TOLERANCE +/-1.5mm [0.0625"] DIMENSIONS mm [inches]

MODEL MDL1-EM63-140-VS-E50



ALTEX[®]

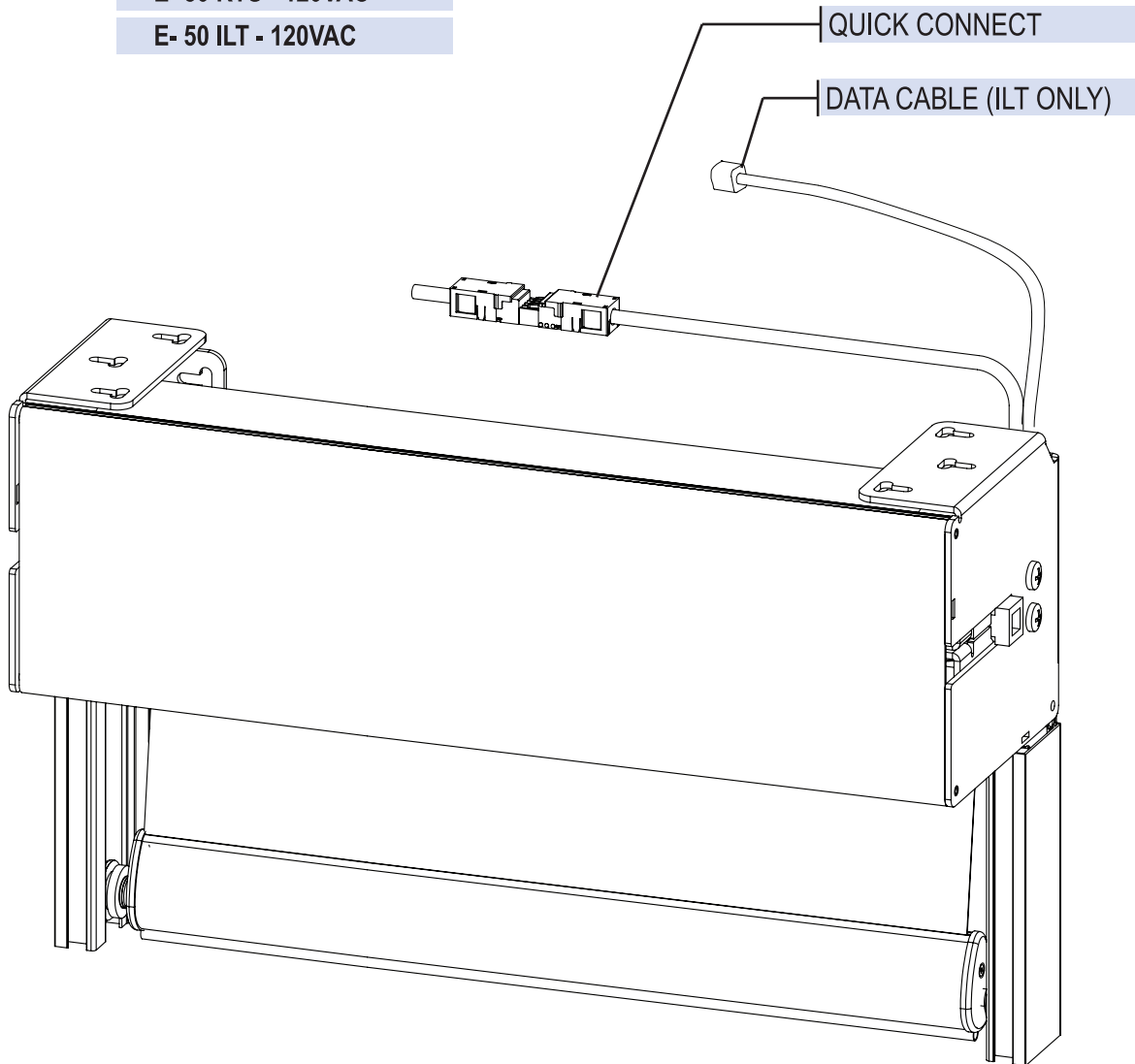
SunProject™
line of products

MODULINE[®] ELEKTRA 140 - 120VAC

E-50 / E- 50 RTS / E-50 ILT MOTOR OPERATED ROLLER SYSTEMS



ELEKTRA	REGUAL MOTOR
WITH OR WITHOUT FASCIA 140	
SHADE HOLDER: N/A	
CHANNEL: ST-3	
MOTOR TYPE:	E- 50 - 120VAC
	E- 50 RTS - 120VAC
	E- 50 ILT - 120VAC



MDL3-EM-140-E50

WITH OR WITHOUT FASCIA 140

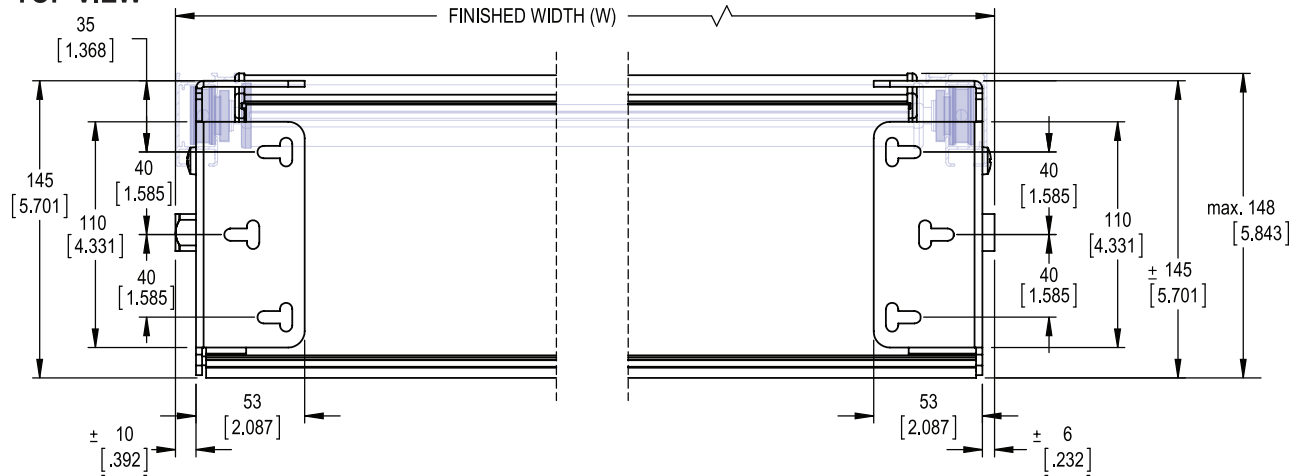


ALTEX[®]
SunProject™
line of products

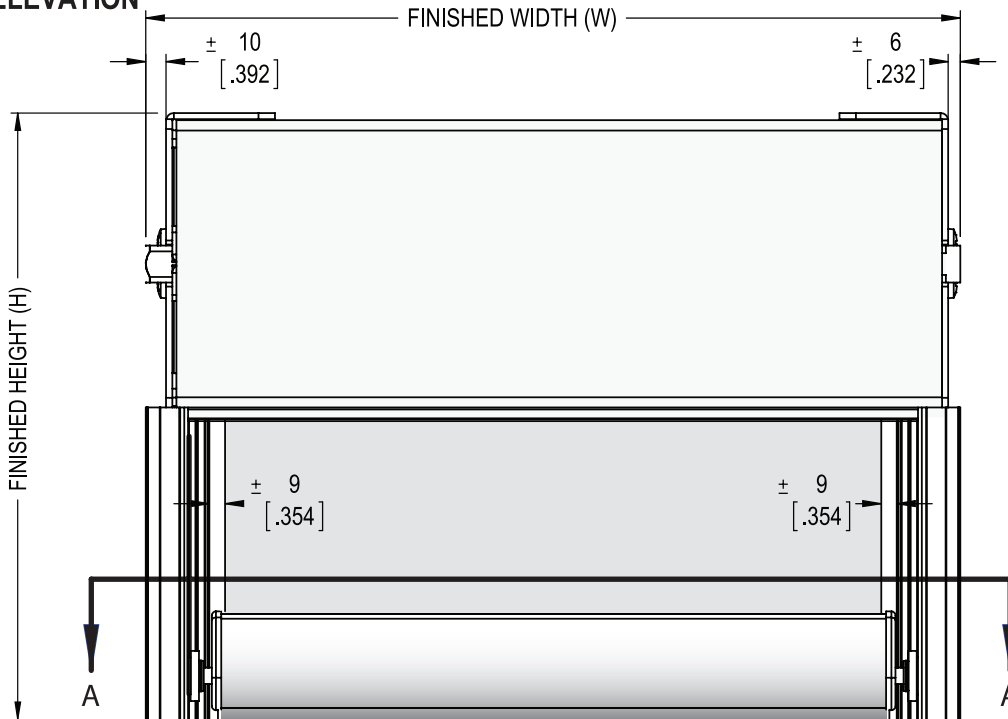
MODULINE[®] ELEKTRA 140 - 120VAC
E-50 / E- 50 RTS / E-50 ILT MOTOR OPERATED ROLLER SYSTEMS



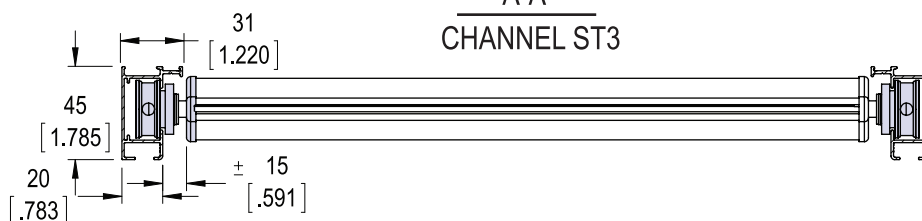
TOP VIEW



ELEVATION



A-A
CHANNEL ST3

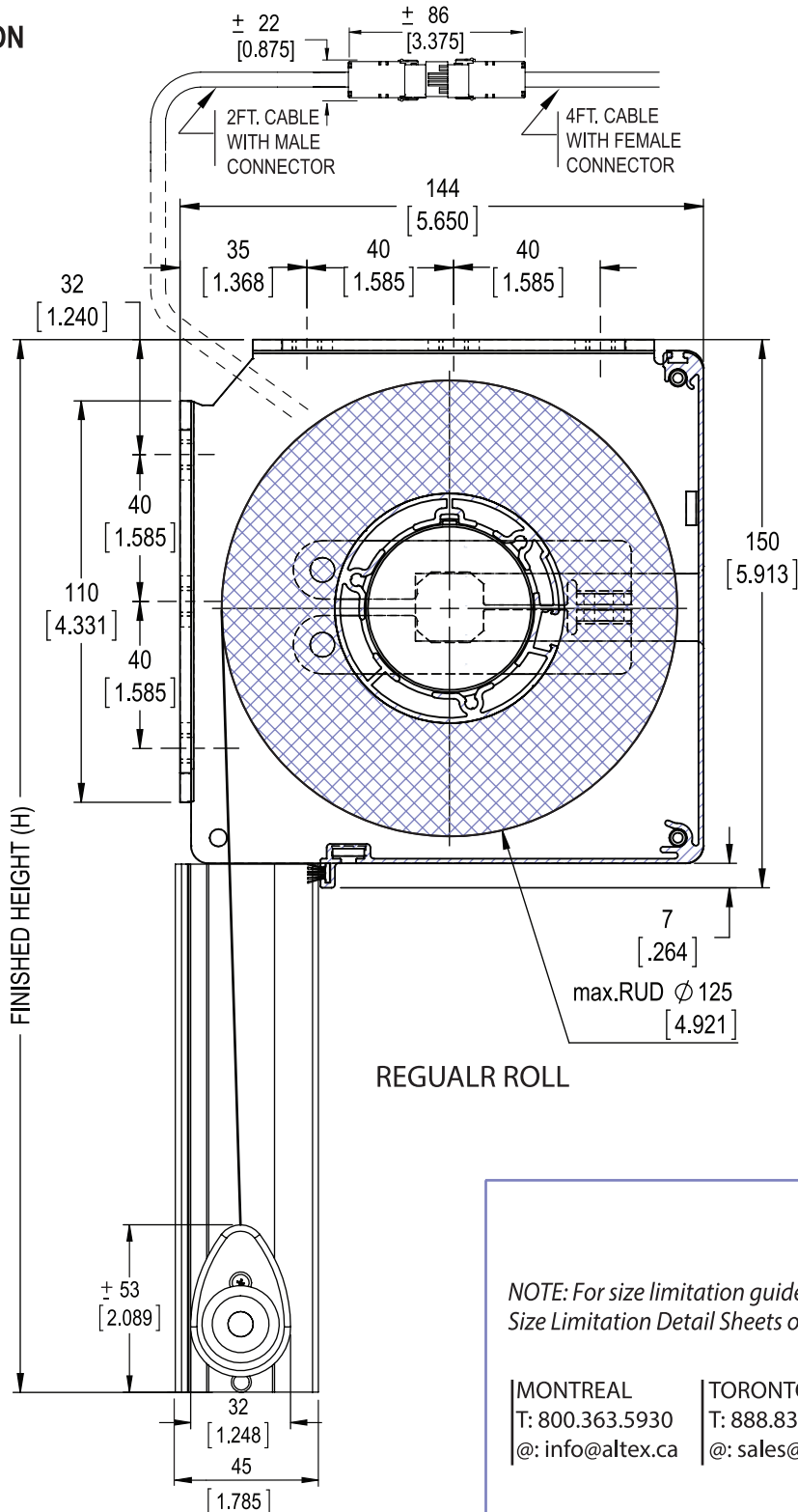


MDL3-EM-140-E50

WITH OR WITHOUT FASCIA 140



SECTION



TOLERANCE $\pm 1.5\text{mm}$ [0.0625"] DIMENSIONS mm [inches]

NOTE: For size limitation guidelines, please refer to our Size Limitation Detail Sheets or contact our Technical Department.

MONTREAL T: 800.363.5930 @: info@altex.ca	TORONTO T: 888.836.6980 @: sales@altex.ca	VANCOUVER T: 888.980.9899 @: servicewest@altex.ca
-------------------------------------------------	-------------------------------------------------	---------------------------------------------------------

MODEL **MDL3-EM63-140-VS-E50**



ALTEX[®]

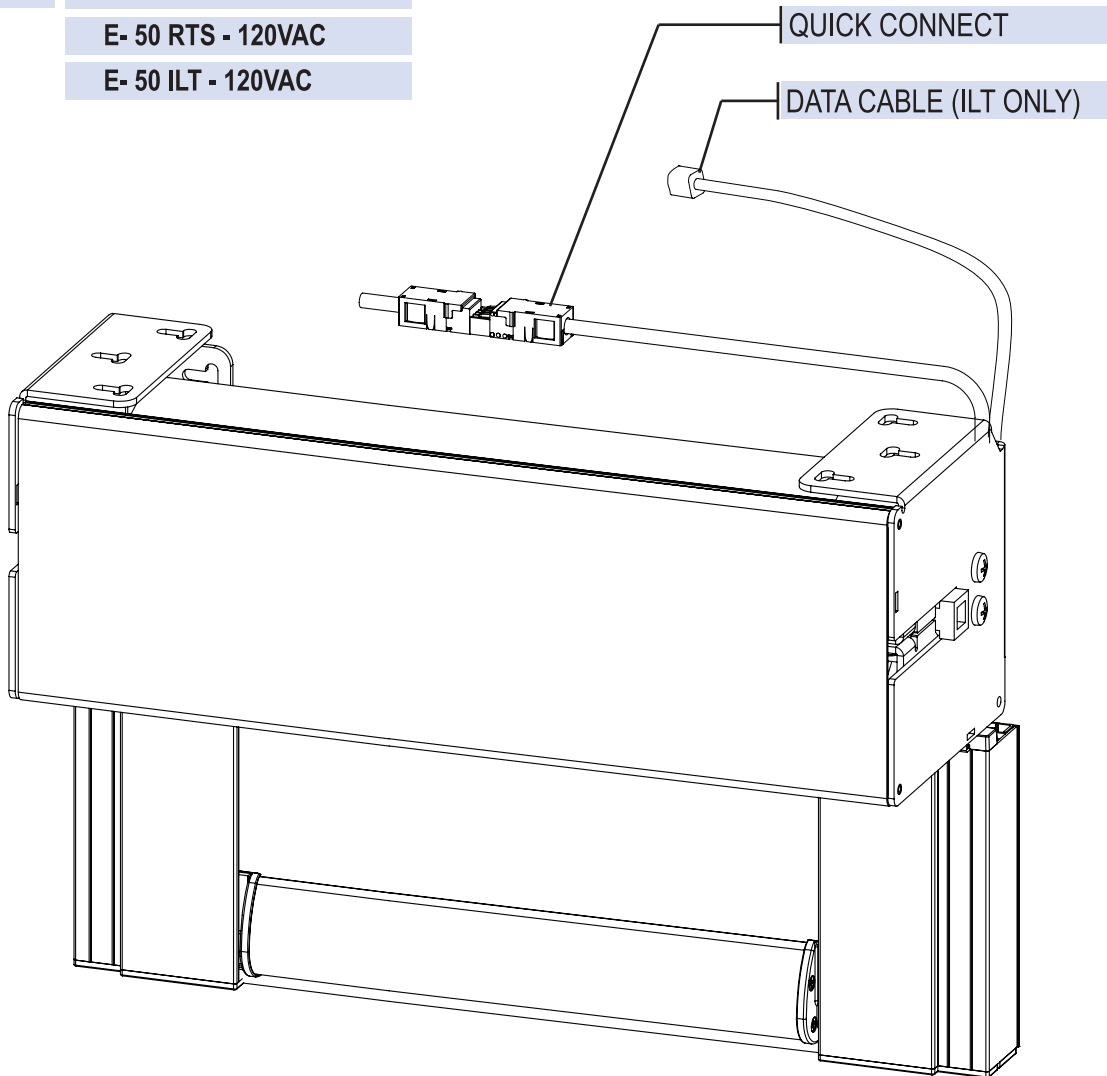
SunProject™
line of products

MODULINE[®] ELEKTRA 140 - 120VAC

E-50 / E- 50 RTS / E-50 ILT MOTOR OPERATED ROLLER SYSTEMS



ELEKTRA	REGULAR MOTOR
WITH OR WITHOUT FASCIA 140	
SHADE HOLDER: N/A	
CHANNEL: T-480	
MOTOR TYPE:	E- 50 - 120VAC
	E- 50 RTS - 120VAC
	E- 50 ILT - 120VAC



MDL4-EM-140-E50

WITH OR WITHOUT FASCIA 140

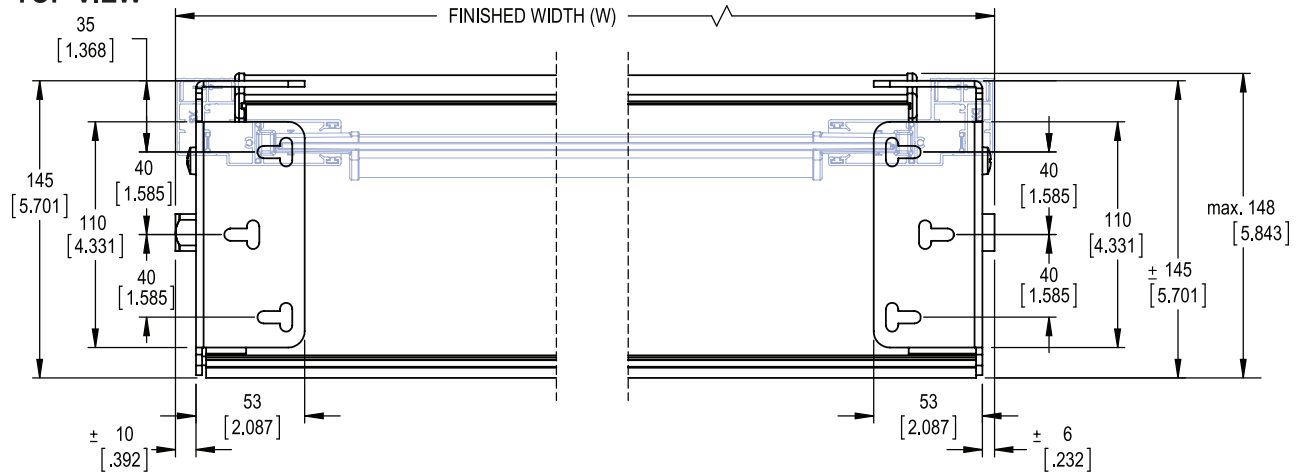


ALTEX[®]
SunProject™
line of products

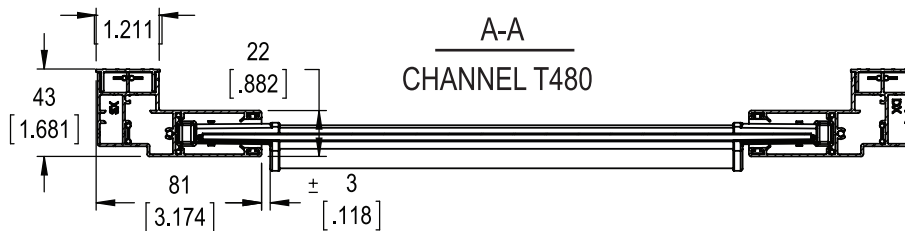
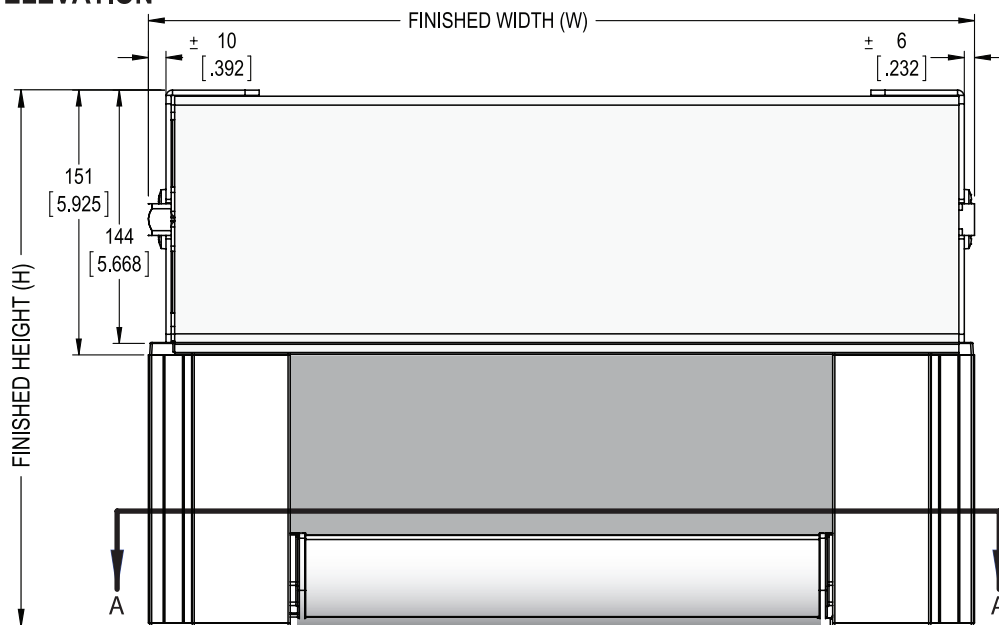
MODULINE[®] ELEKTRA 140 - 120VAC
E-50 / E- 50 RTS / E-50 ILT MOTOR OPERATED ROLLER SYSTEMS



TOP VIEW



ELEVATION

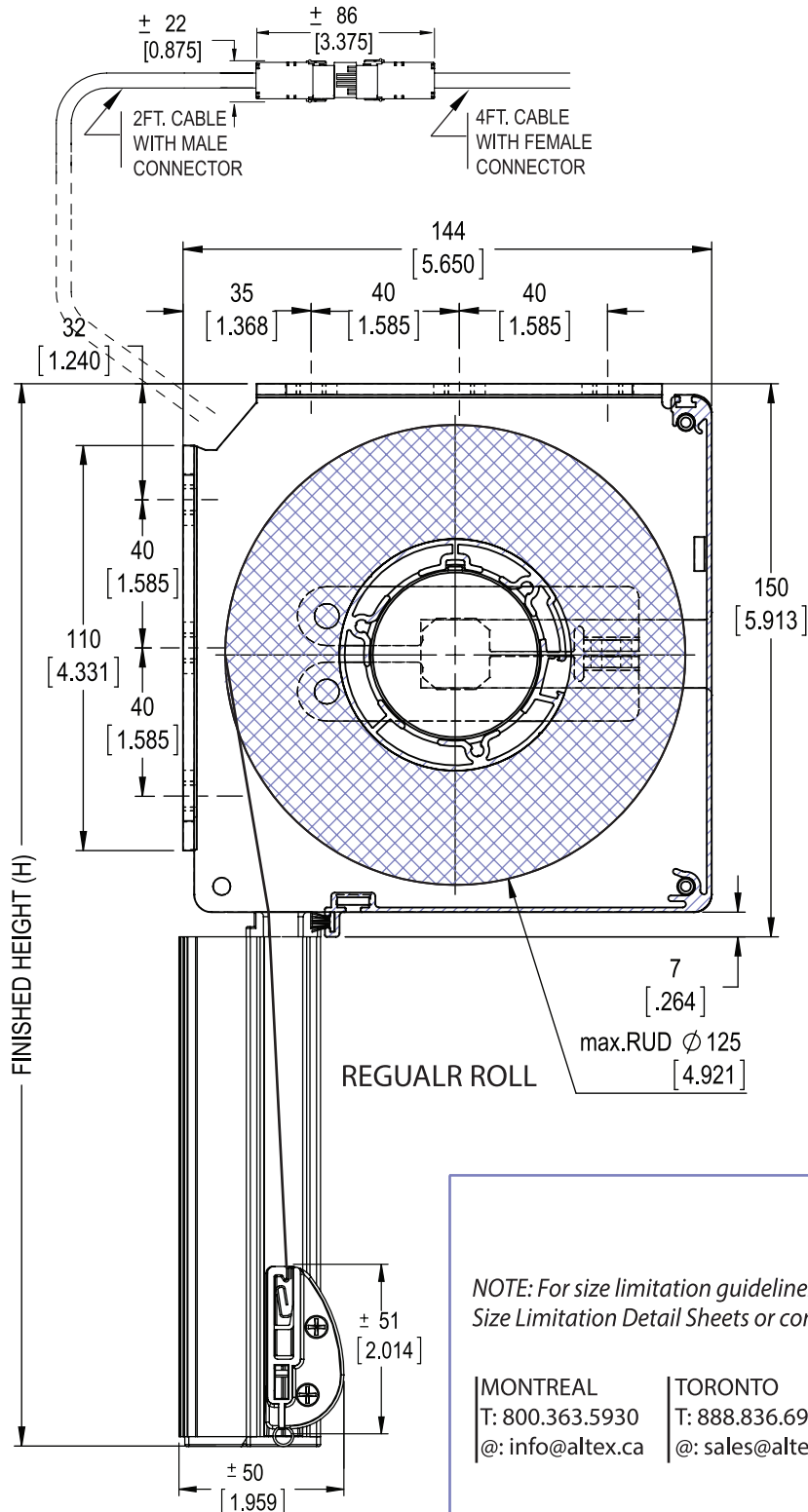


MDL4-EM-140-E50

WITH OR WITHOUT FASCIA 140



SECTION



TOLERANCE +/-1.5mm [0.0625"] DIMENSIONS mm [inches]

NOTE: For size limitation guidelines, please refer to our Size Limitation Detail Sheets or contact our Technical Department.

MONTREAL T: 800.363.5930 @: info@altex.ca	TORONTO T: 888.836.6980 @: sales@altex.ca	VANCOUVER T: 888.980.9899 @: servicewest@altex.ca
-------------------------------------------------	-------------------------------------------------	---------------------------------------------------------

MODEL MDL4-EM63-105-VS-UQM50

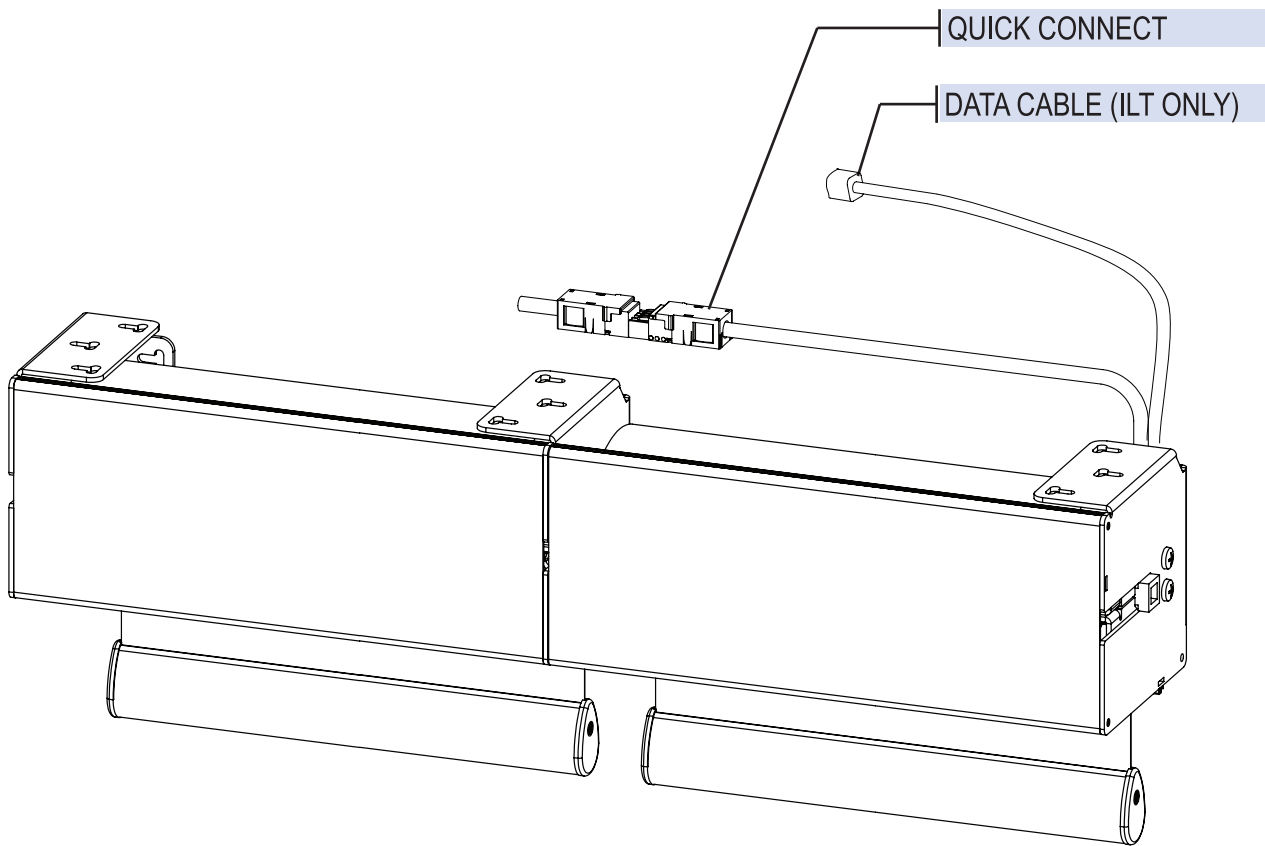


ALTEX[®]
SunProject™
line of products

MODULINE[®] ELEKTRA TANDEM 140 - 120VAC
E-50 / E-50 RTS / E50-ILT MOTOR OPERATED ROLLER SYSTEMS



ELEKTRA	REGULAR MOTOR
WITH OR WITHOUT FASCIA 140	
SHADE HOLDER: N/A	
MOTOR TYPE:	E- 50 - 120VAC
	E- 50 RTS - 120VAC
	E- 50 ILT - 120VAC



MULTIBANDS AVAILABLE IN: 2B 3B 4B

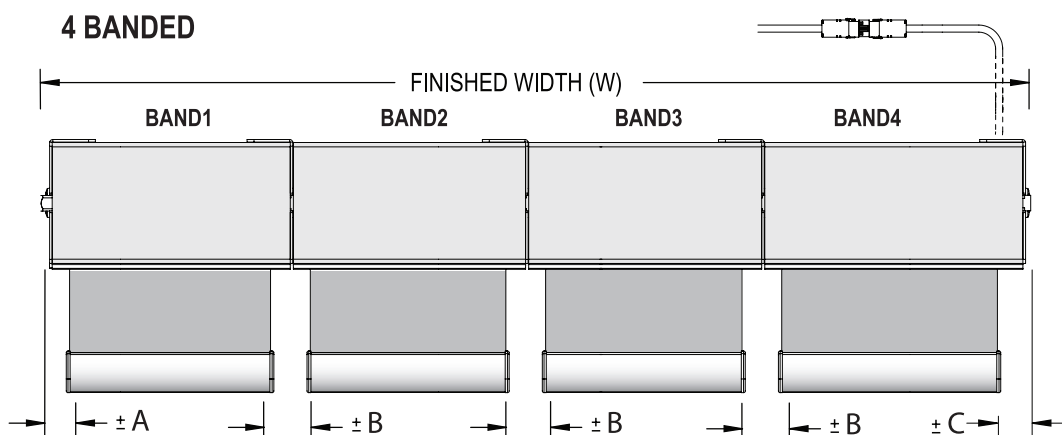
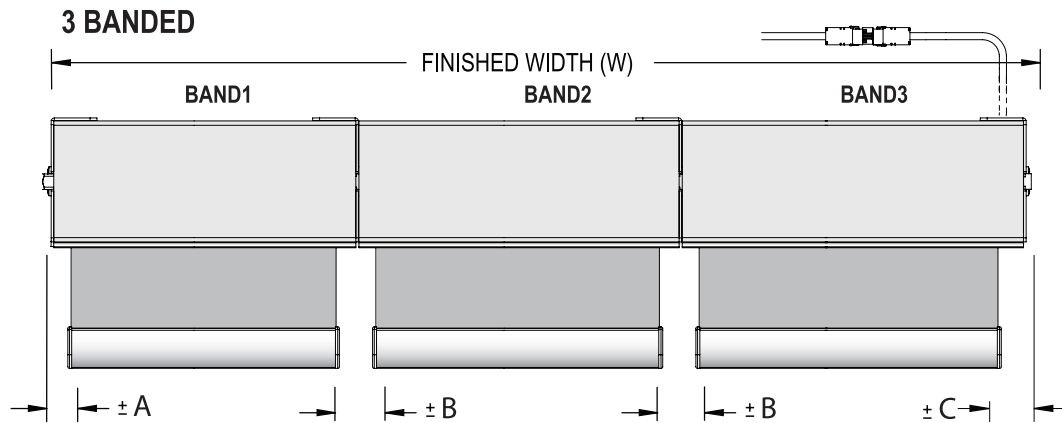
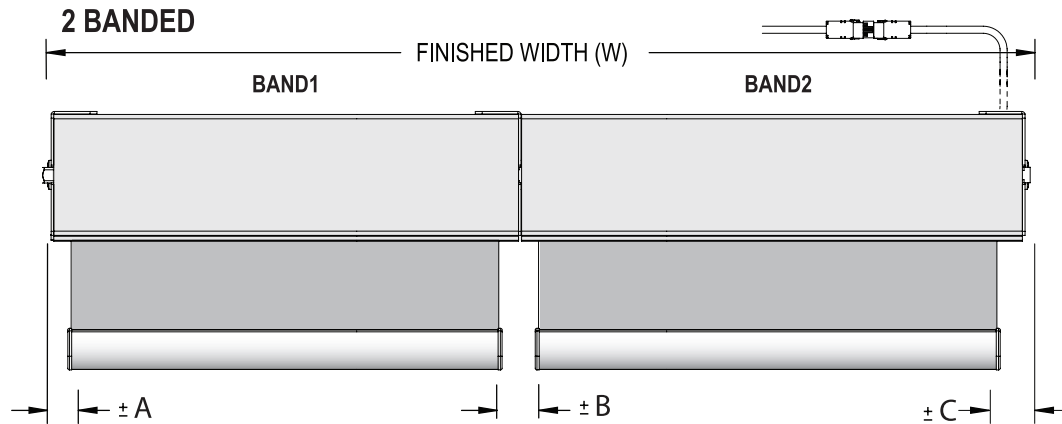
2 BANDED SYSTEM SHOWN

MDL1-EM-140-TANDEM

WITH OR WITHOUT FASCIA 140



AVAILABLE TANDEM OPTIONS



EDGE CLEARANCE	A	B	C
DIMENSION	± 34 [1.357"]	± 56 [2.204"]	± 42 [1.654"]

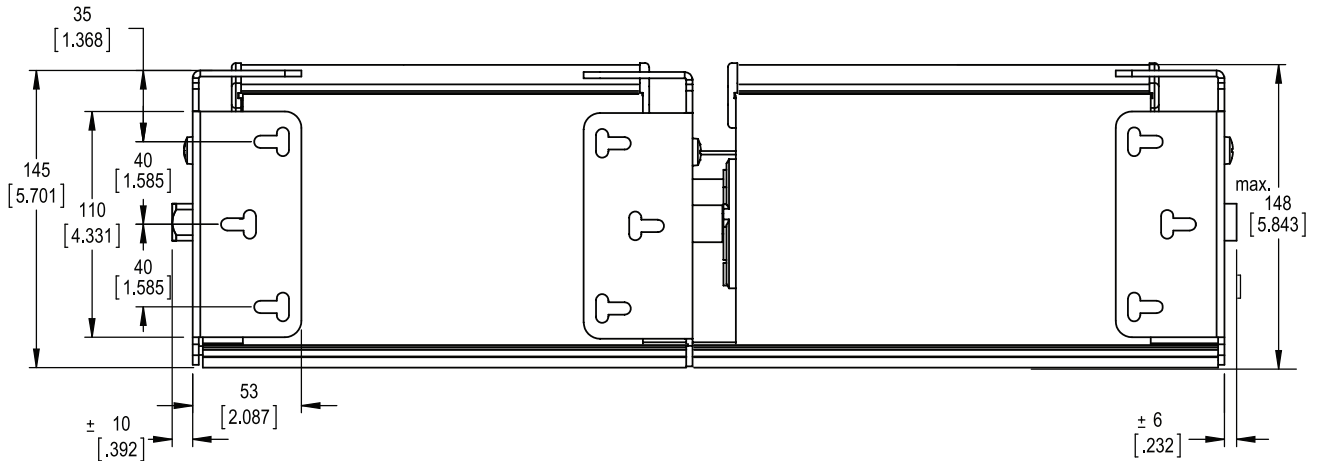


ALTEX[®]
SunProject™
line of products

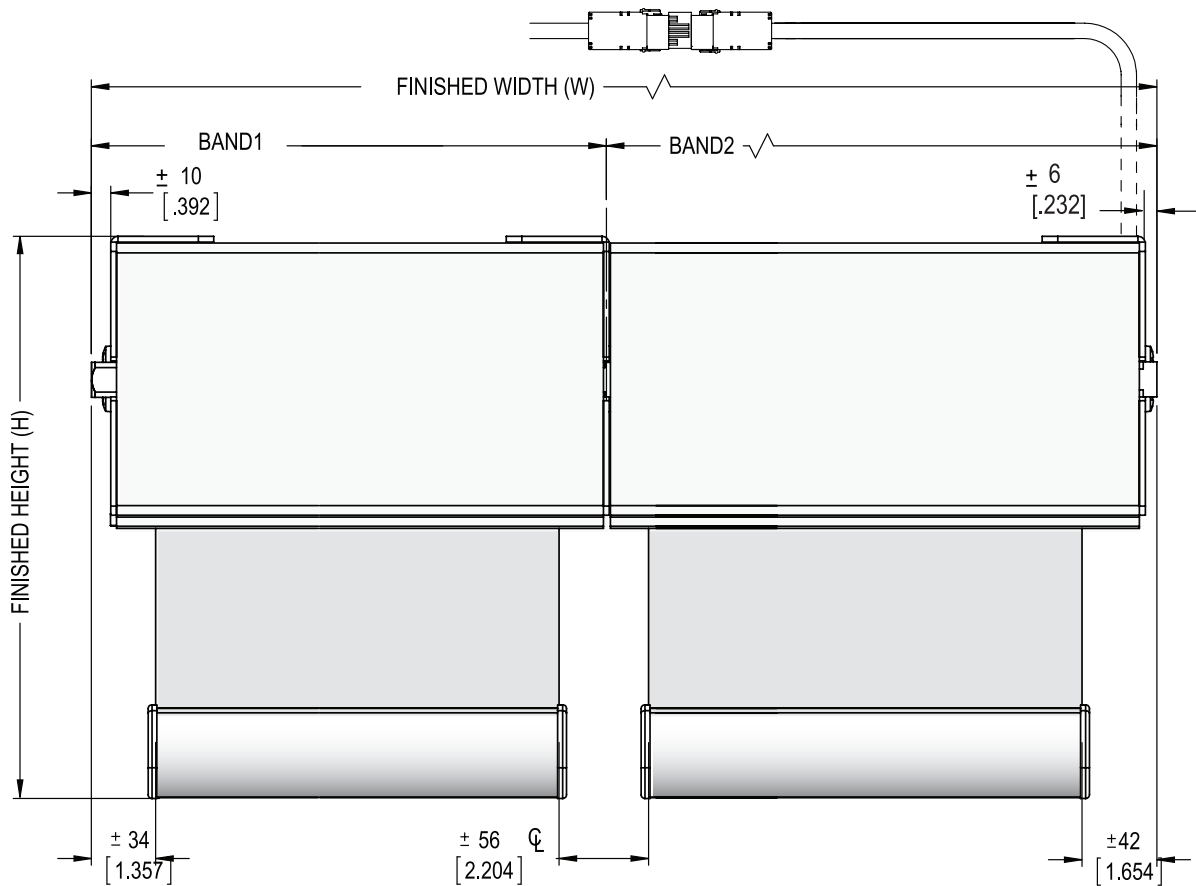
MODULINE[®] ELEKTRA TANDEM 140 - 120VAC
E-50 / E-50 RTS / E50-ILT MOTOR OPERATED ROLLER SYSTEMS



TOP VIEW



ELEVATION



MDL1-EM-140-TANDEM

WITH OR WITHOUT FASCIA 140

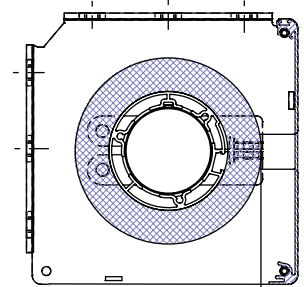
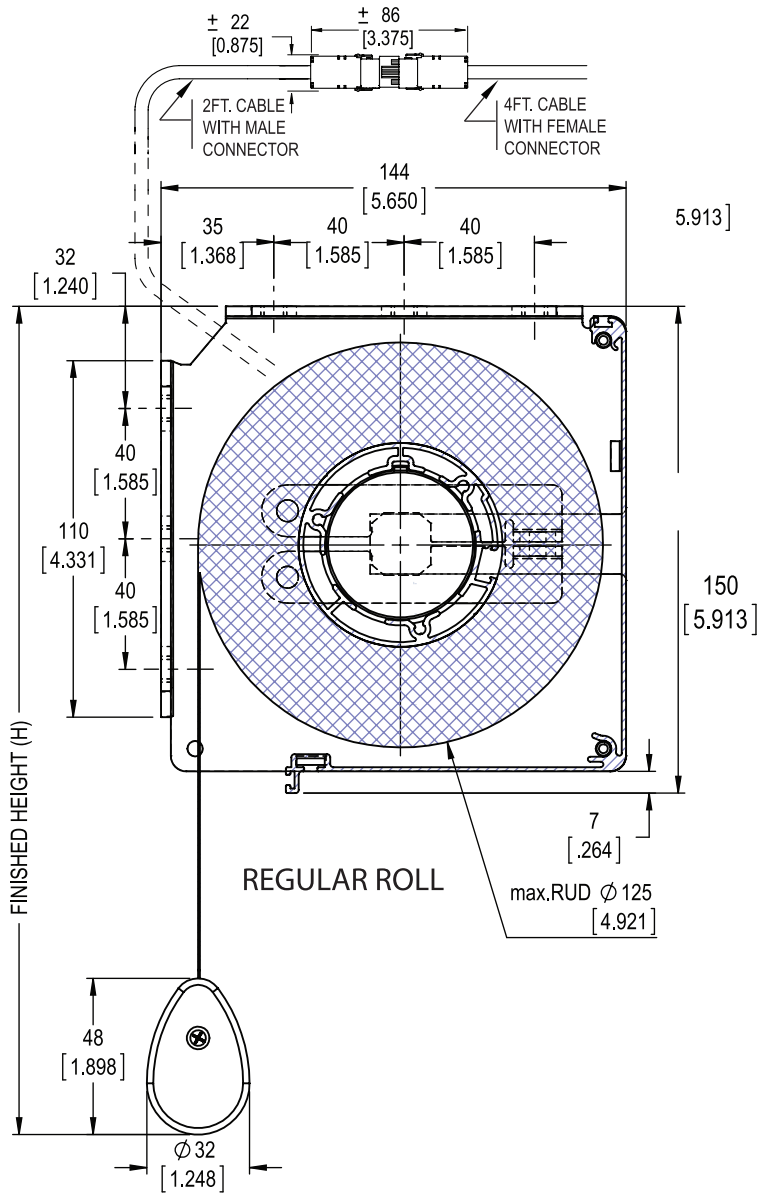


ALTEX[®]
SunProject™
line of products

MODULINE[®] ELEKTRA TANDEM 140 - 120VAC E-50 / E-50 RTS / E50-ILT MOTOR OPERATED ROLLER SYSTEMS



SECTION



REVERSE ROLL

REGULAR ROLL

NOTE: For size limitation guidelines, please refer to our Size Limitation Detail Sheets or contact our Technical Department.

MONTREAL
T: 800.363.5930
@: info@altex.ca

TORONTO
T: 888.836.6980
@: sales@altex.ca

VANCOUVER
T: 888.980.9899
@: servicewest@altex.ca

MODEL

MDL1-EM-140-TANDEM



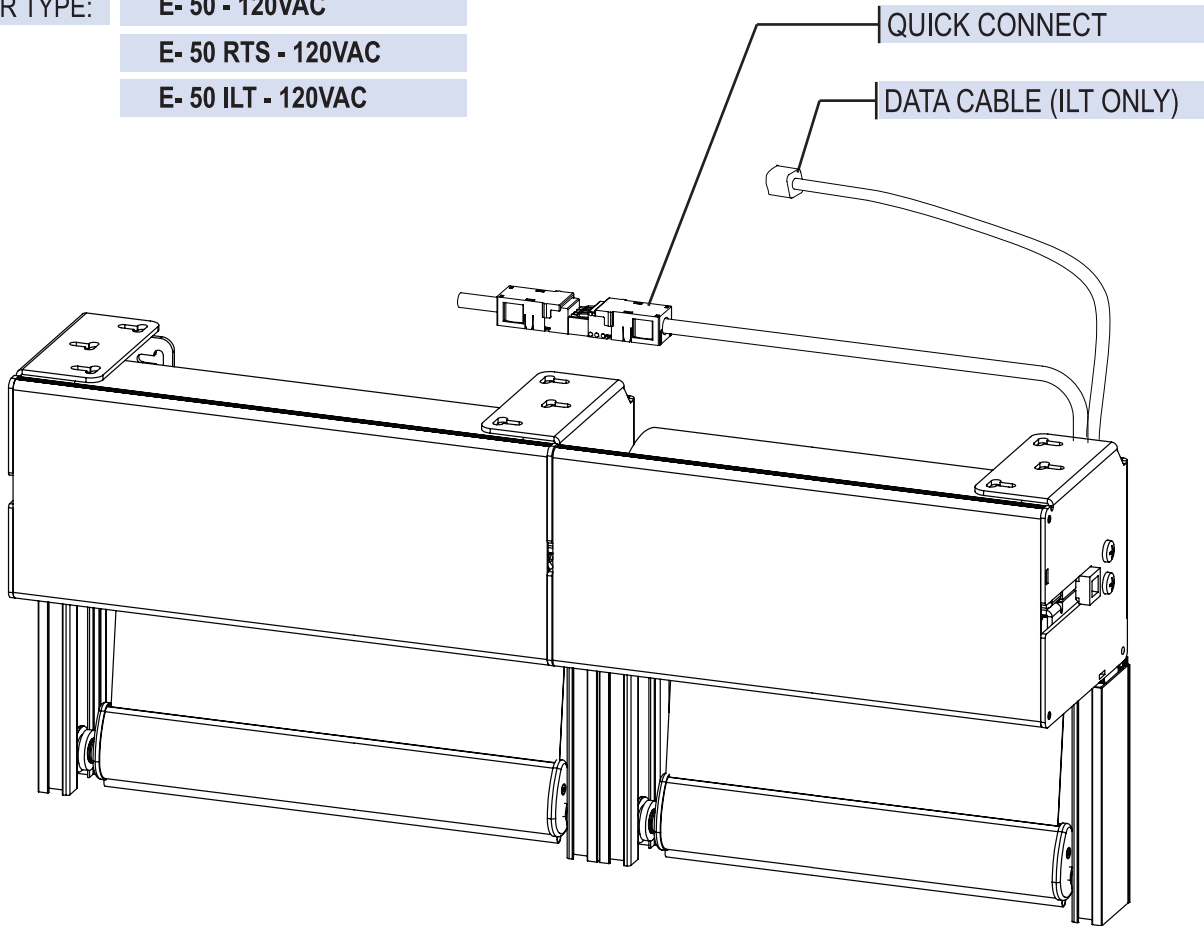
ALTEX[®]
SunProject™
line of products

MODULINE[®] ELEKTRA TANDEM 140 - 120VAC

E-50 / E-50 RTS / E50-ILT MOTOR OPERATED ROLLER SYSTEMS



ELEKTRA	REGUAL MOTOR
WITH OR WITHOUT FASCIA 140	
SHADE HOLDER: N/A	
CHANNEL: ST-3	
MOTOR TYPE:	E- 50 - 120VAC
	E- 50 RTS - 120VAC
	E- 50 ILT - 120VAC



MULTIBANDS AVAILABLE IN: 2B 3B 4B

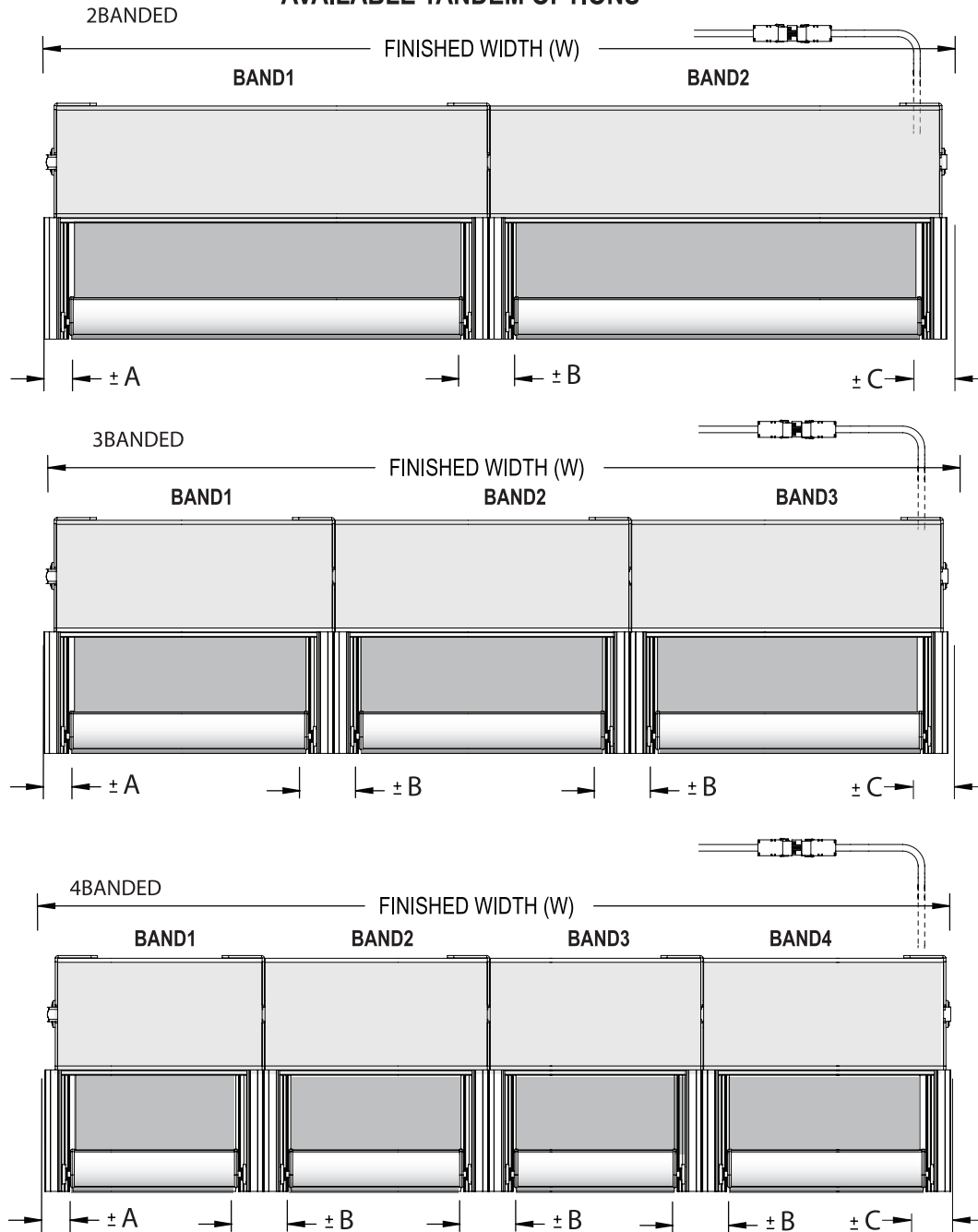
2 BANDED SYSTEM SHOWN

MDL3-EM-140-TANDEM

WITH OR WITHOUT FASCIA 140



AVAILABLE TANDEM OPTIONS



CHANNEL	A	B	C
	ST3	2 x ST3	ST3
	± 31 [1.220"]	± 62 [2.441"]	± 31 [1.220"]
DIMENSION			

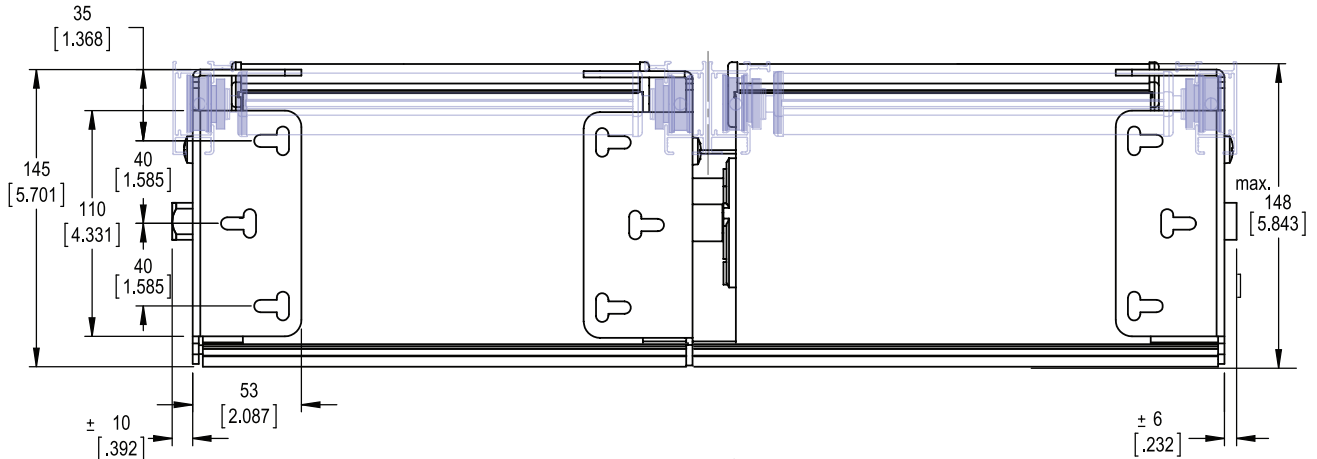


ALTEX[®]
SunProject™
line of products

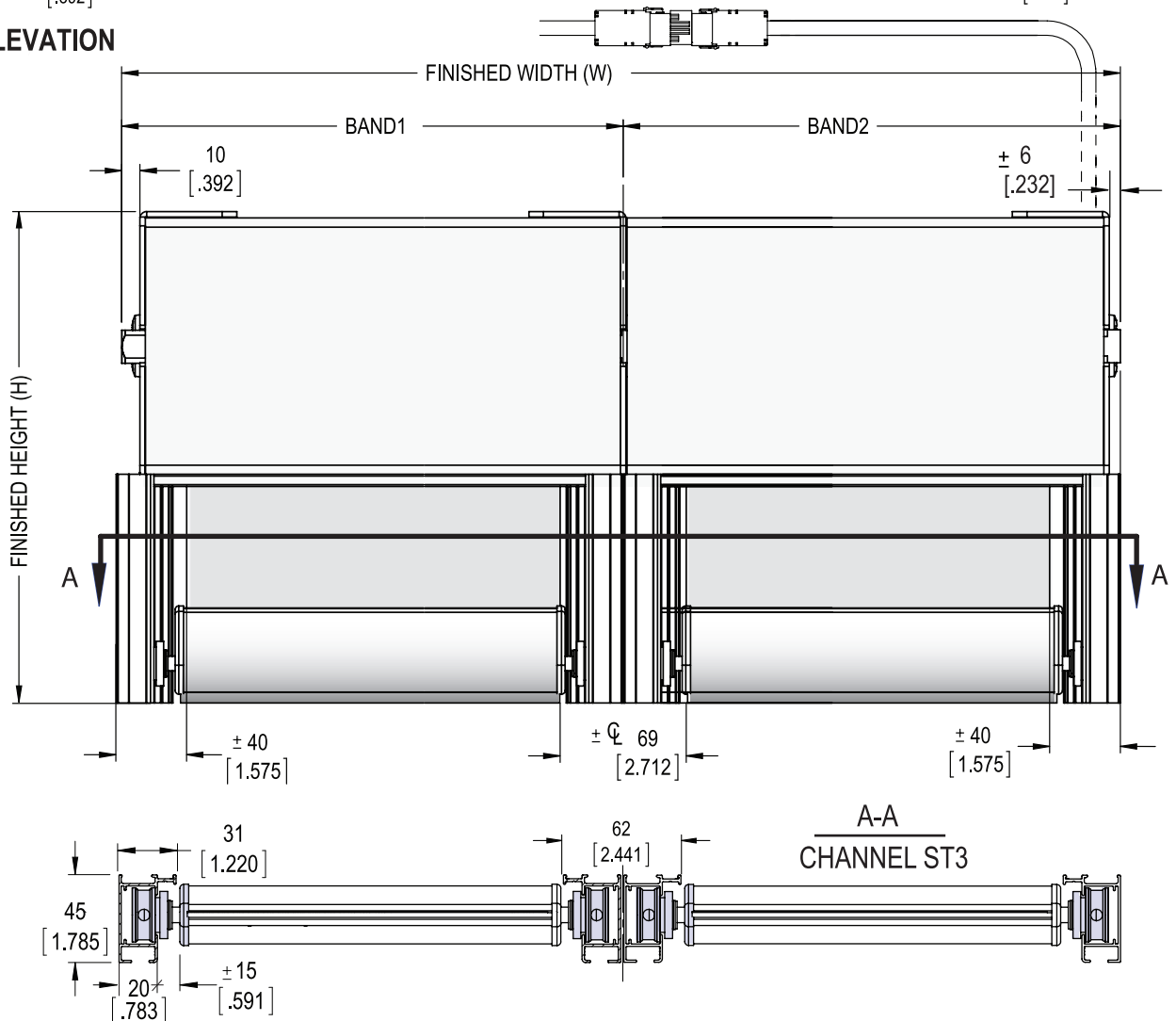
MODULINE[®] ELEKTRA TANDEM 140 - 120VAC
E-50 / E-50 RTS / E50-ILT MOTOR OPERATED ROLLER SYSTEMS



TOP VIEW



ELEVATION

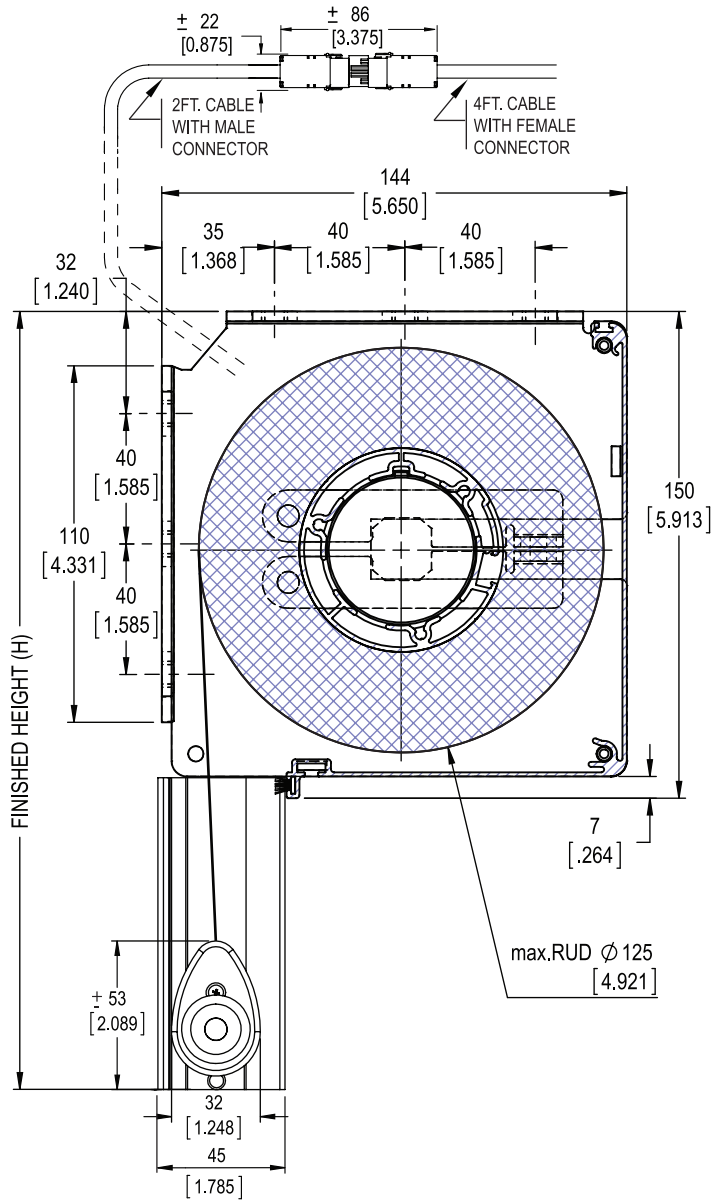


MDL3-EM-140-TANDEM

WITH OR WITHOUT FASCIA 140



SECTION



NOTE: For size limitation guidelines, please refer to our Size Limitation Detail Sheets or contact our Technical Department.

MONTREAL	TORONTO	VANCOUVER
T: 800.363.5930	T: 888.836.6980	T: 888.980.9899
@: info@altex.ca	@: sales@altex.ca	@: servicewest@altex.ca

MODEL

MDL3-EM-140-TANDEM



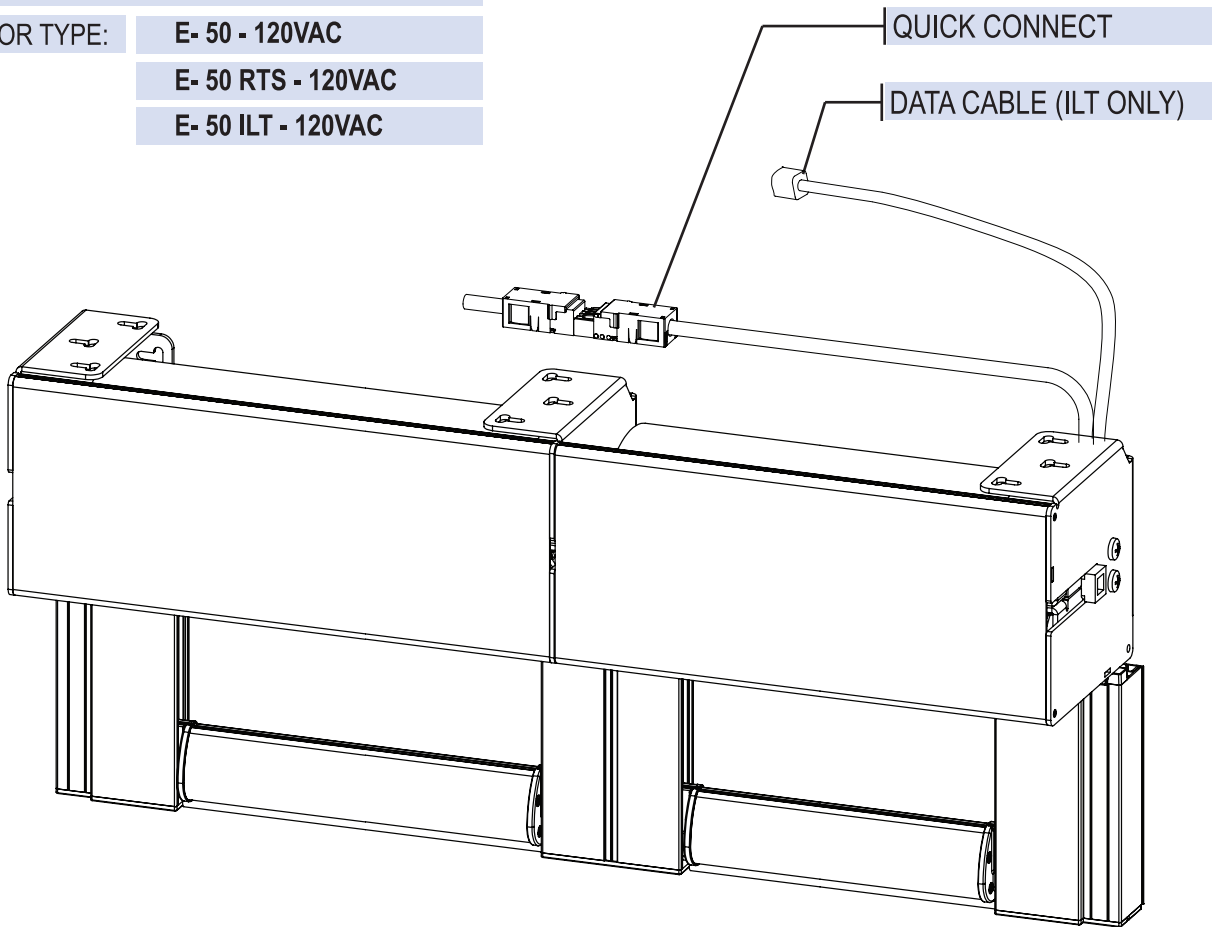
ALTEX[®]

SunProject™
line of products

MODULINE[®] ELEKTRA TANDEM 140 - 120VAC E-50 / E-50 RTS / E50-ILT MOTOR OPERATED ROLLER SYSTEMS



ELEKTRA	REGULAR MOTOR
WITH OR WITHOUT FASCIA 140	
SHADE HOLDER: N/A	
CHANNEL: T-480	
MOTOR TYPE:	E- 50 - 120VAC
	E- 50 RTS - 120VAC
	E- 50 ILT - 120VAC

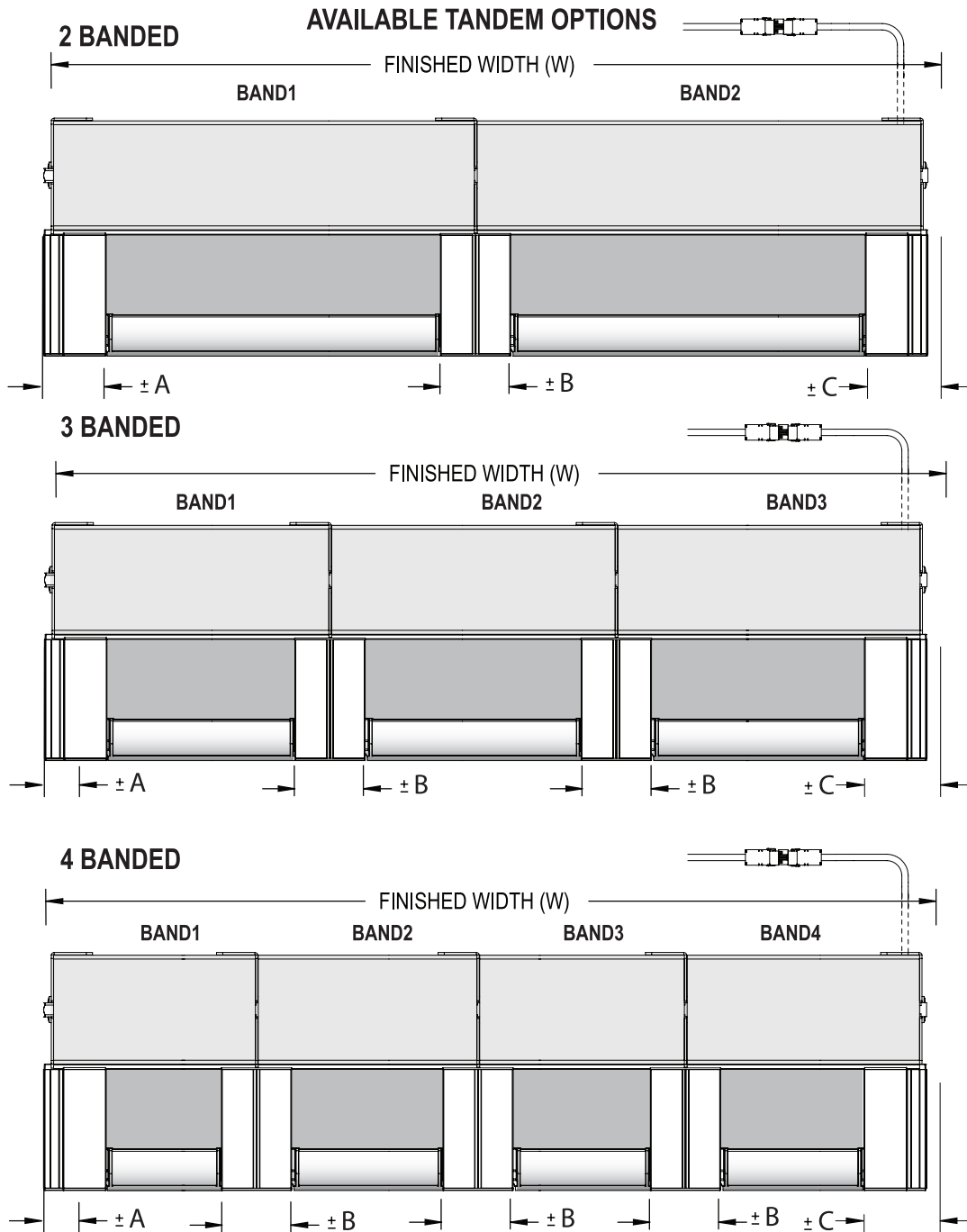


MULTIBANDS AVAILABLE IN: 2B 3B 4B

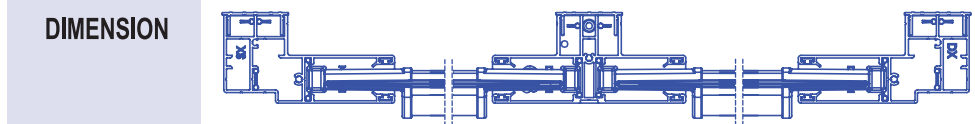
2 BANDED SYSTEM SHOWN

MDL4-EM-140-TANDEM

WITH OR WITHOUT FASCIA 140



CHANNEL	A	B	C
	T-480	T-490	T-480
	± 81 [3.174"]	± 90 [3.543"]	± 81 [3.174"]



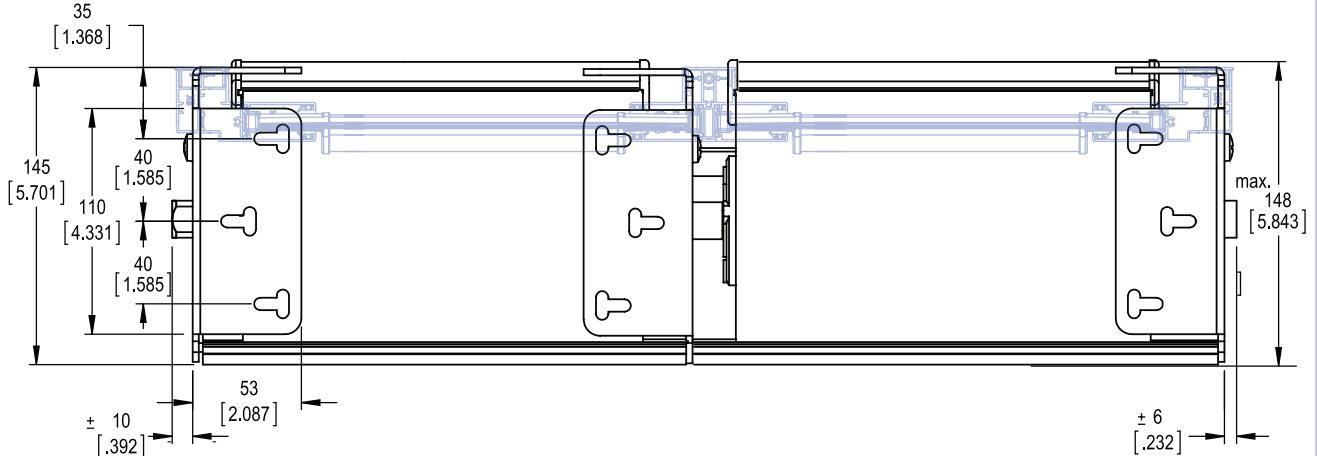


ALTEX[®]
SunProject™
line of products

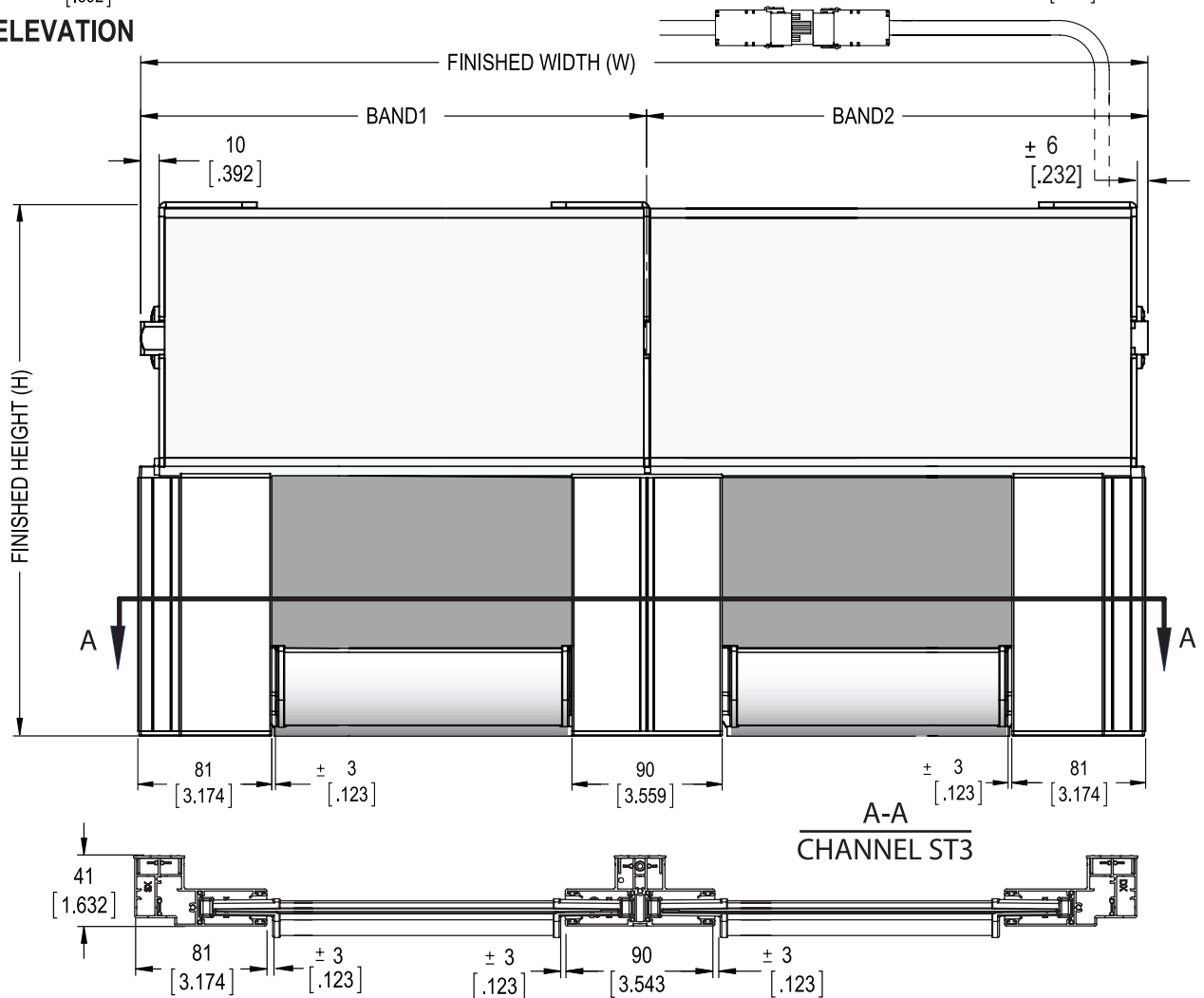
MODULINE[®] ELEKTRA TANDEM 140 - 120VAC
E-50 / E-50 RTS / E50-ILT MOTOR OPERATED ROLLER SYSTEMS



TOP VIEW



ELEVATION

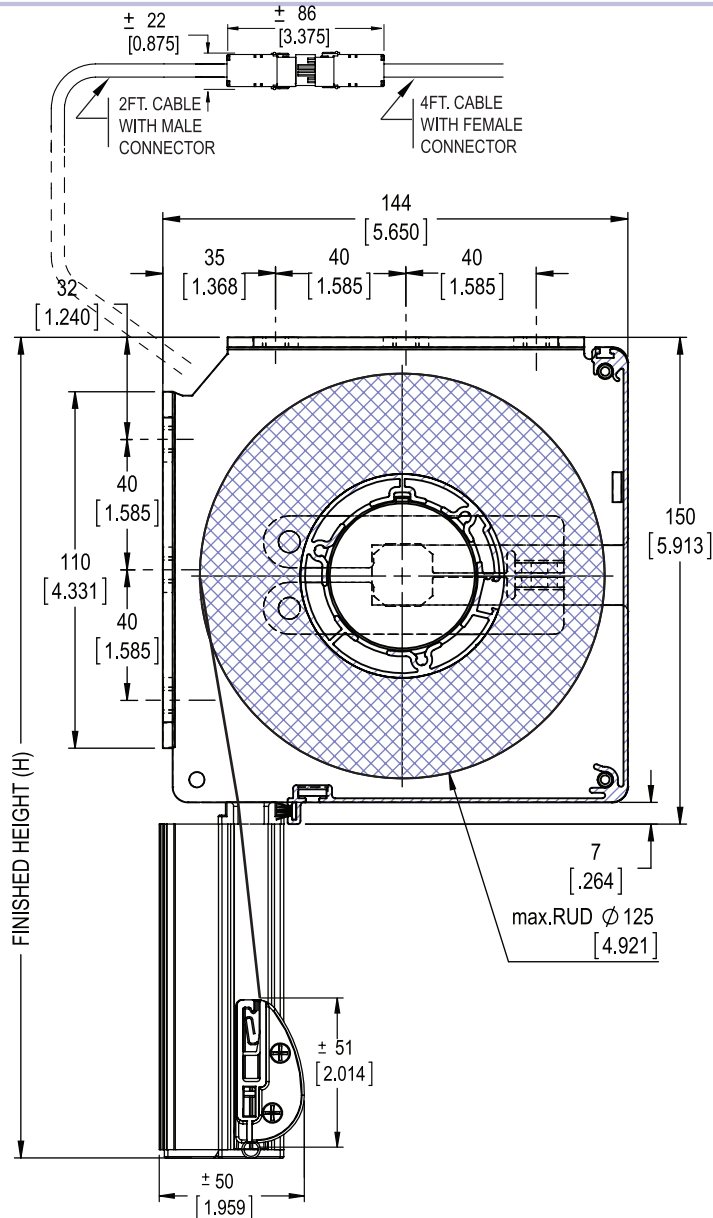


MDL4-EM-140-TANDEM

WITH OR WITHOUT FASCIA 140



SECTION



NOTE: For size limitation guidelines, please refer to our Size Limitation Detail Sheets or contact our Technical Department.

MONTREAL	TORONTO	VANCOUVER
T: 800.363.5930	T: 888.836.6980	T: 888.980.9899
@: info@altex.ca	@: sales@altex.ca	@: servicewest@altex.ca

MODEL

MDL4-EM-140-TANDEM



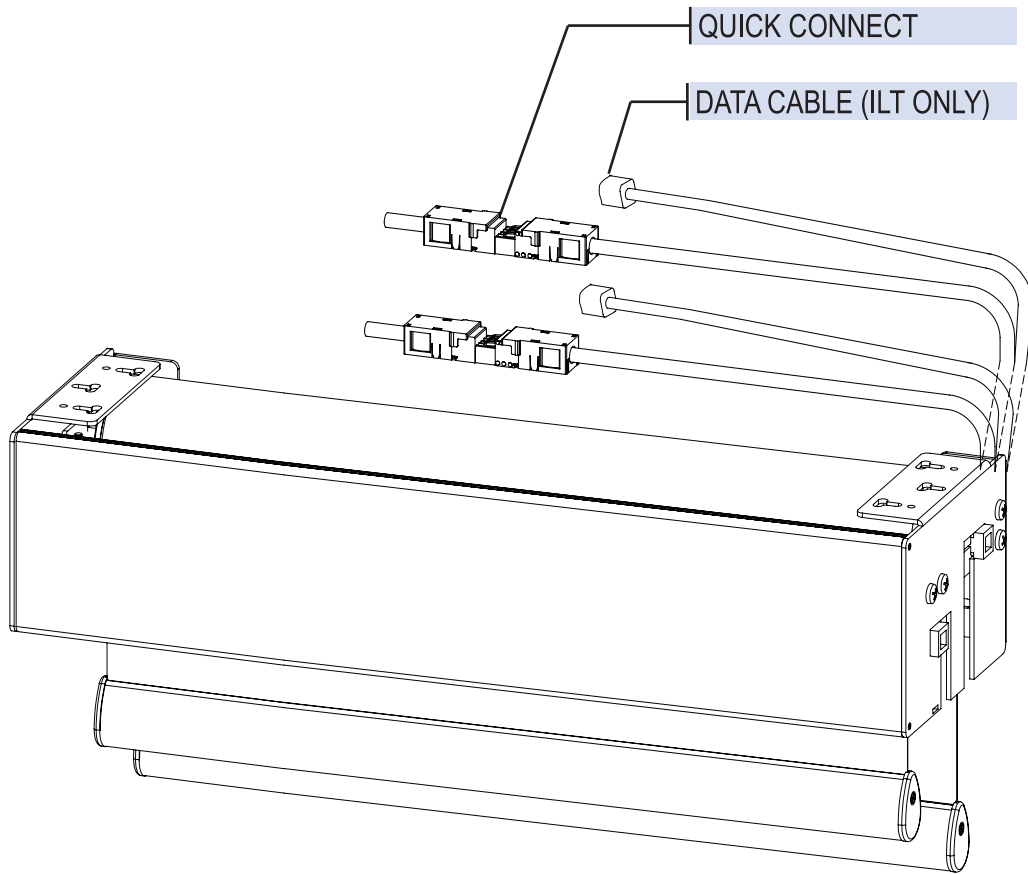
ALTEX[®]

SunProject™
line of products

MODULINE[®] ELEKTRA DUAL 140 - 120VAC E-50 / E-50 RTS / E50-ILT MOTOR OPERATED ROLLER SYSTEMS



ELEKTRA	REGULAR MOTOR
WITH OR WITHOUT FASCIA 140	
SHADE HOLDER: N/A	
MOTOR TYPE:	E- 50 - 120VAC
	E- 50 RTS - 120VAC
	E- 50 ILT - 120VAC



DUAL MDL11-140-EM/EM

WITH OR WITHOUT FASCIA 140

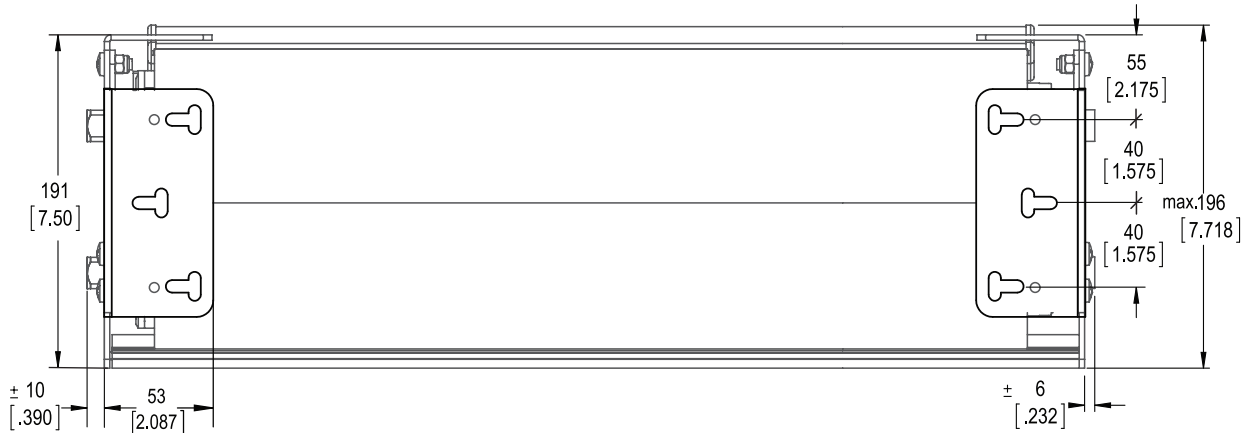


ALTEX[®]
SunProject™
line of products

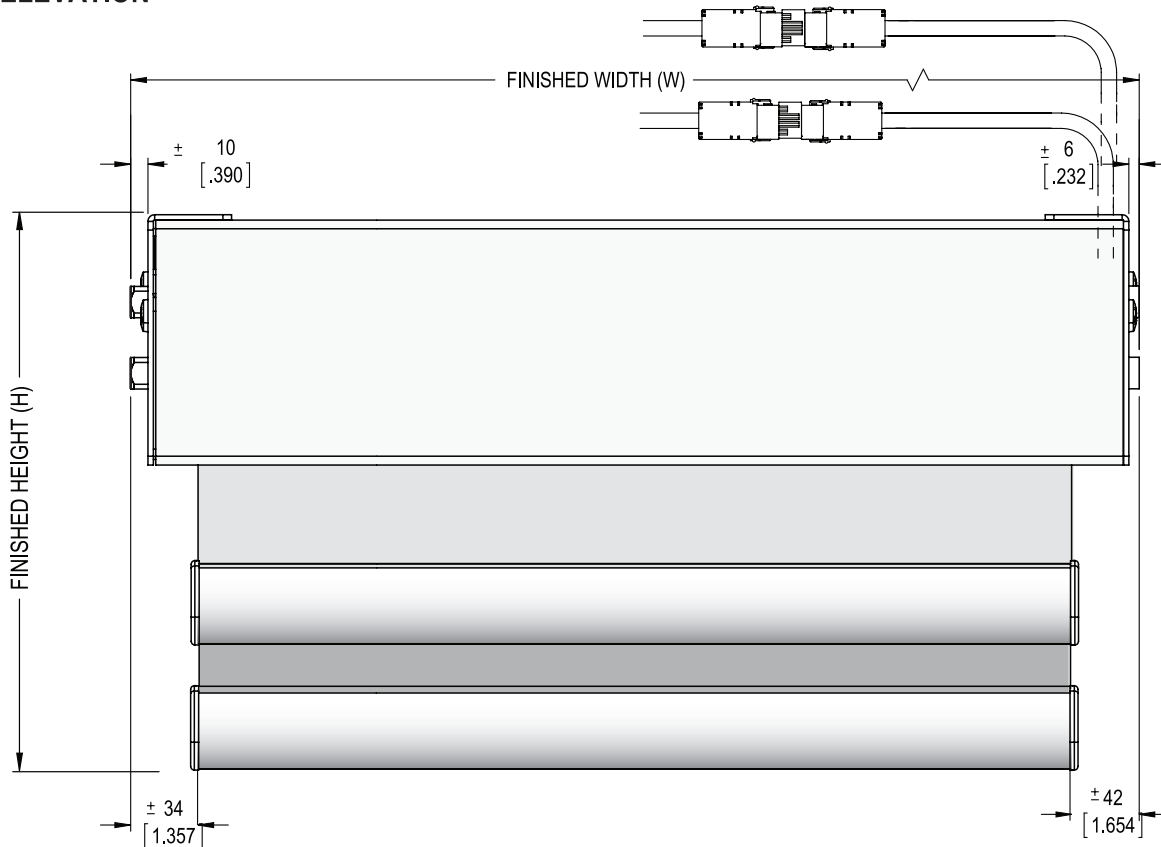
MODULINE[®] ELEKTRA DUAL 140 - 120VAC
E-50 / E-50 RTS / E50-ILT MOTOR OPERATED ROLLER SYSTEMS



TOP VIEW



ELEVATION

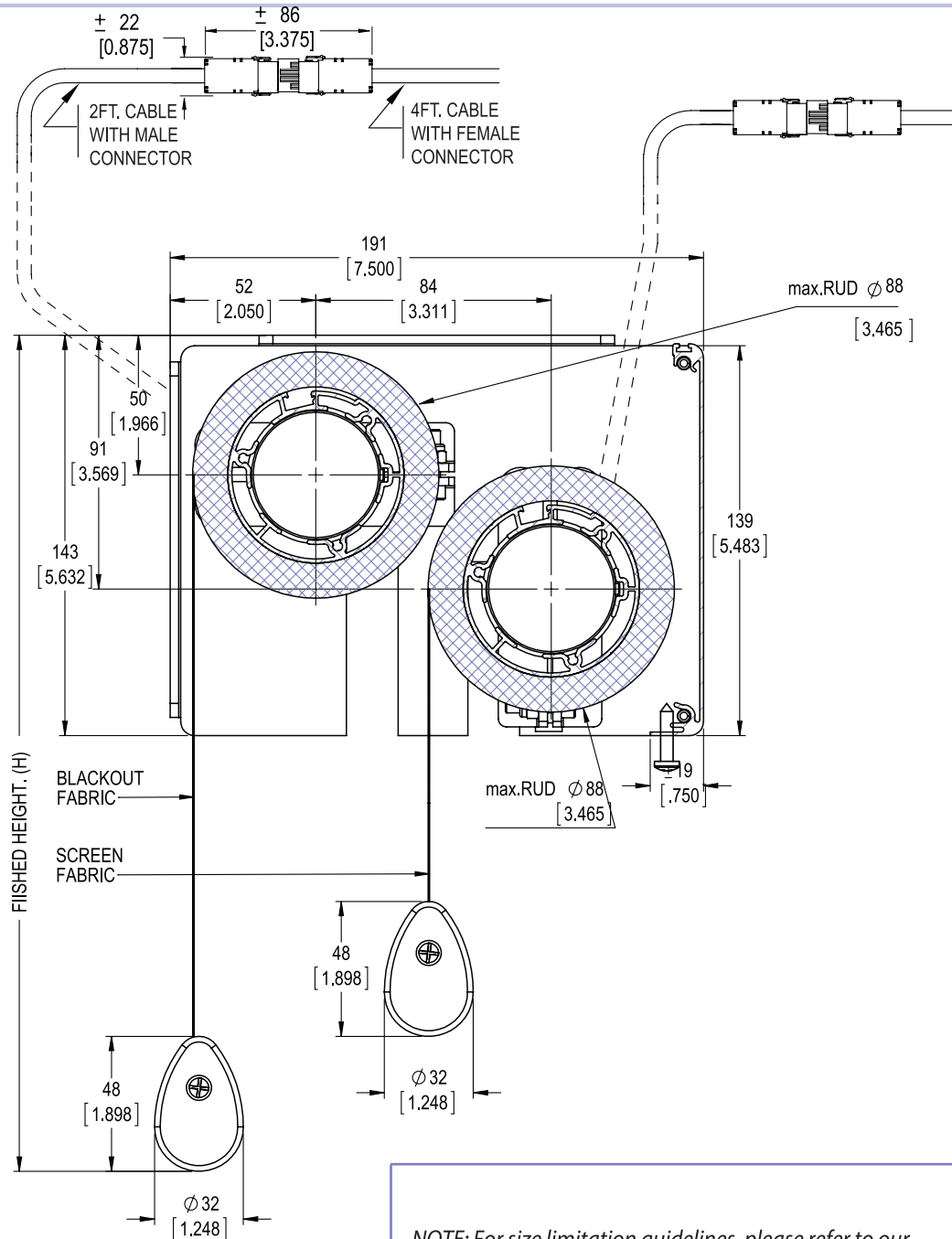


DUAL MDL11-140-EM/EM-E50

WITH OR WITHOUT FASCIA 140



SECTION



NOTE: For size limitation guidelines, please refer to our Size Limitation Detail Sheets or contact our Technical Department.

MONTREAL	TORONTO	VANCOUVER
T: 800.363.5930	T: 888.836.6980	T: 888.980.9899
@: info@altex.ca	@: sales@altex.ca	@: servicewest@altex.ca

MODEL

DUAL MDL11-140-EM/EM-E50



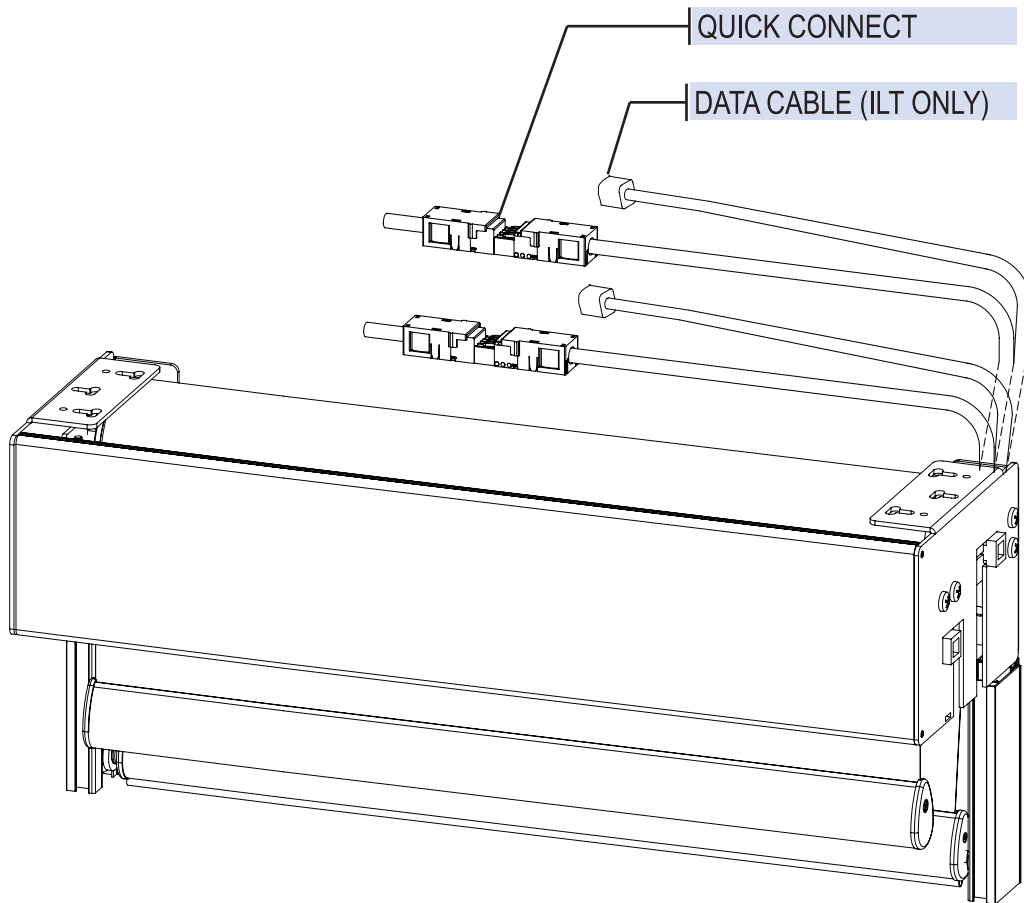
ALTEX[®]

SunProject™
line of products

MODULINE[®] ELEKTRA DUAL 140 - 120VAC E-50 / E-50 RTS / E50-ILT MOTOR OPERATED ROLLER SYSTEMS



ELEKTRA	REGUAL MOTOR
WITH OR WITHOUT FASCIA 140	
SHADE HOLDER: N/A	
CHANNEL: ST-3	
MOTOR TYPE:	E- 50 - 120VAC
	E- 50 RTS - 120VAC
	E- 50 ILT - 120VAC



DUAL MDL31-140-EM/EM

WITH OR WITHOUT FASCIA 140

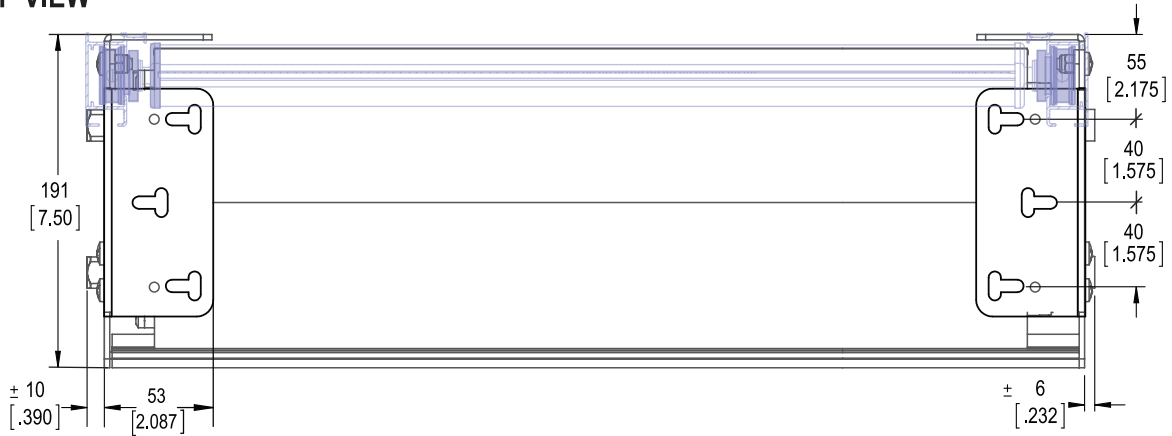


ALTEX[®]
SunProject™
line of products

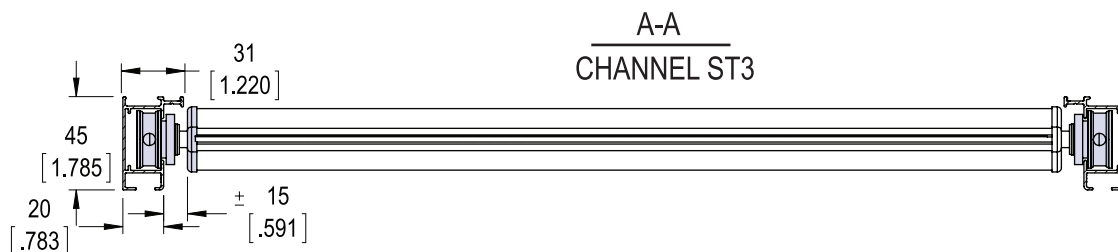
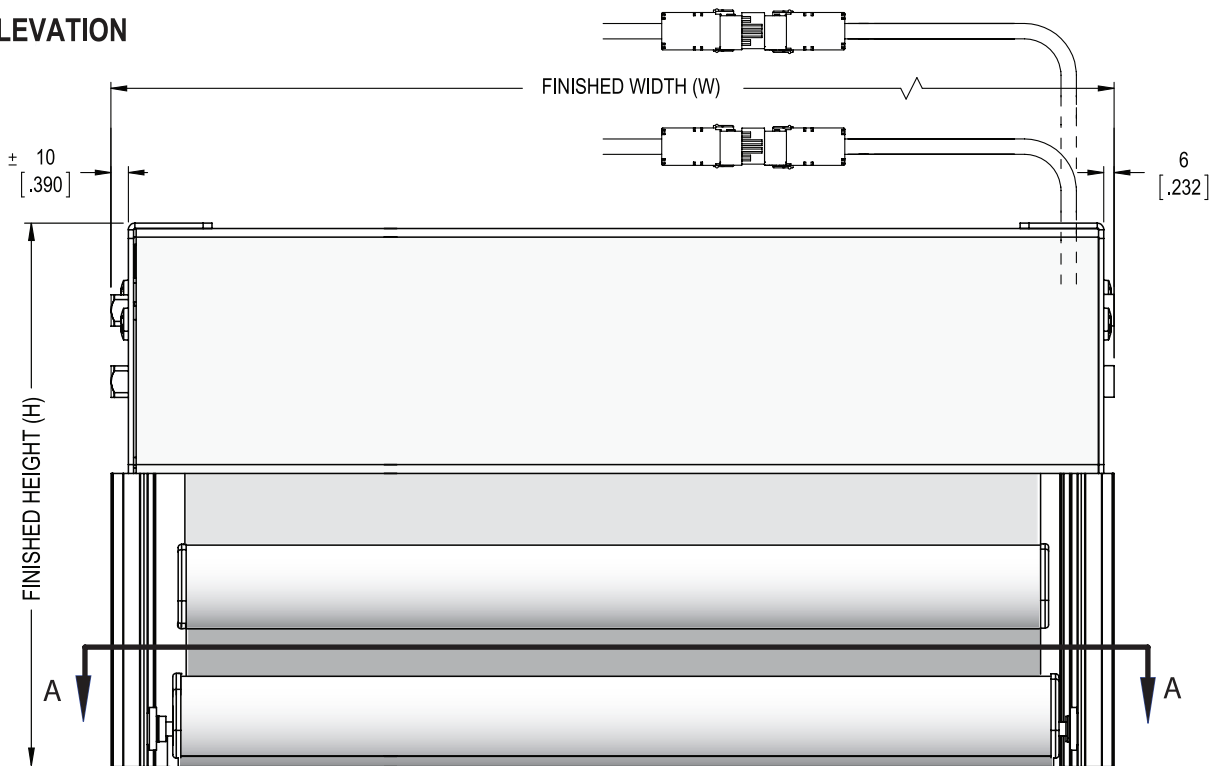
MODULINE[®] ELEKTRA DUAL 140 - 120VAC
E-50 / E-50 RTS / E50-ILT MOTOR OPERATED ROLLER SYSTEMS



TOP VIEW



ELEVATION

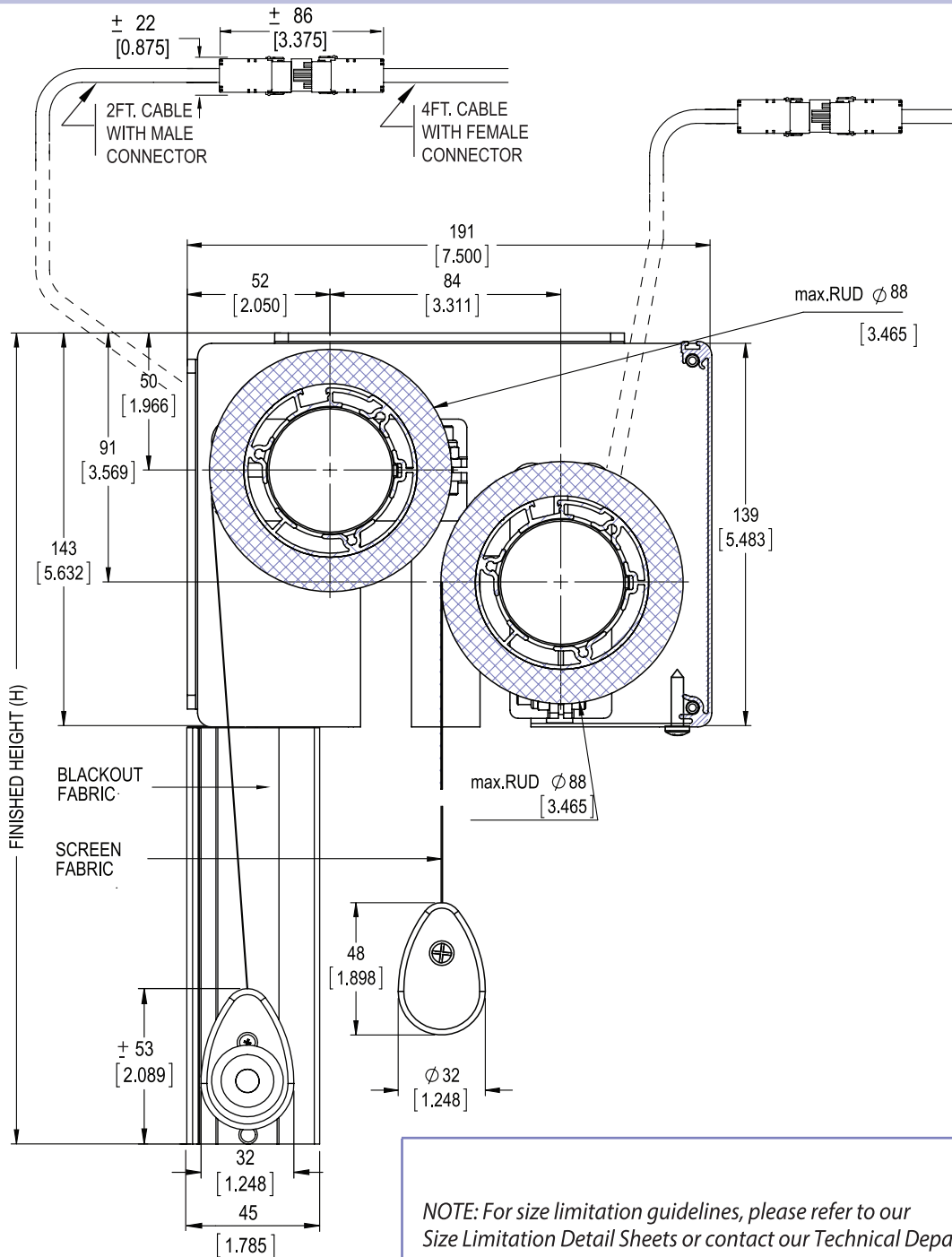


DUAL MDL31-140-EM/EM-E50

WITH OR WITHOUT FASCIA 140



SECTION



NOTE: For size limitation guidelines, please refer to our Size Limitation Detail Sheets or contact our Technical Department.

MONTREAL	TORONTO	VANCOUVER
T: 800.363.5930	T: 888.836.6980	T: 888.980.9899
@: info@altex.ca	@: sales@altex.ca	@: servicewest@altex.ca

MODEL

DUAL MDL31-140-EM/EM-E50

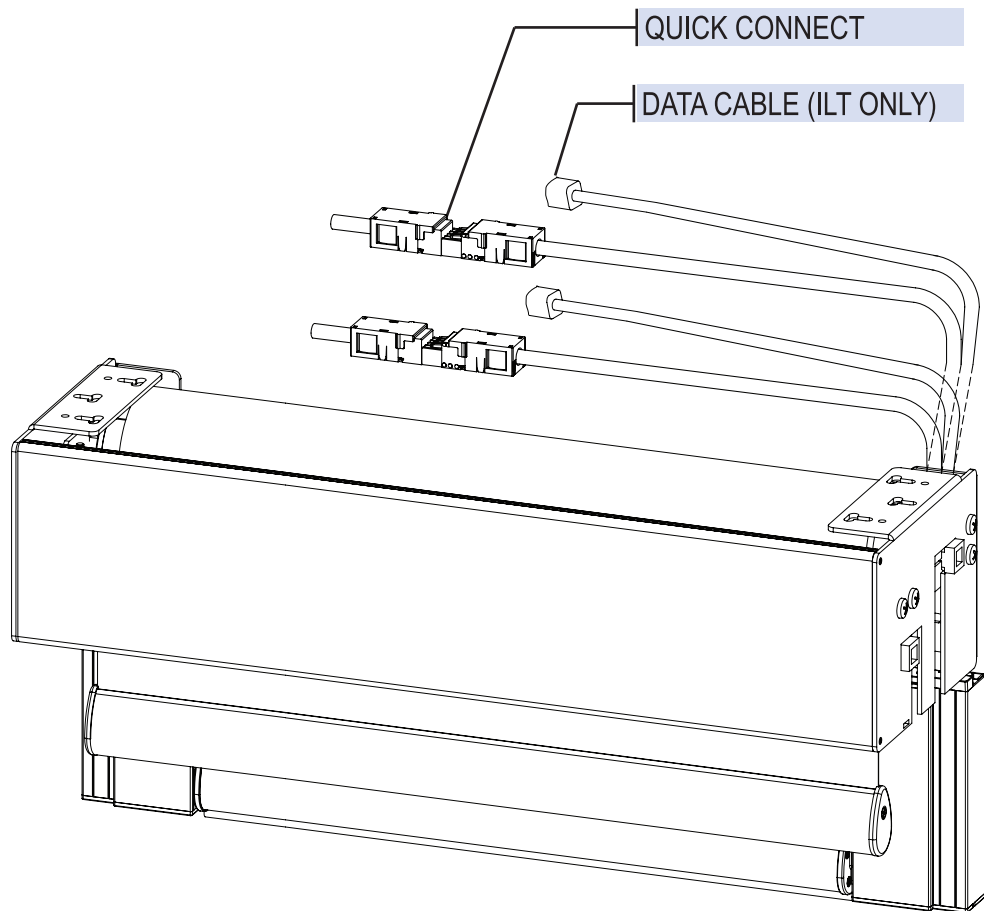


ALTEX[®]
SunProject™
line of products

MODULINE[®] ELEKTRA DUAL 140 - 120VAC
E-50 / E-50 RTS / E50-ILT MOTOR OPERATED ROLLER SYSTEMS



ELEKTRA	REGULAR MOTOR
WITH OR WITHOUT FASCIA 140	
SHADE HOLDER: N/A	
CHANNEL: T-480	
MOTOR TYPE:	E- 50 - 120VAC
	E- 50 RTS - 120VAC
	E- 50 ILT - 120VAC



DUAL MDL41-140-EM/EM

WITH OR WITHOUT FASCIA 140

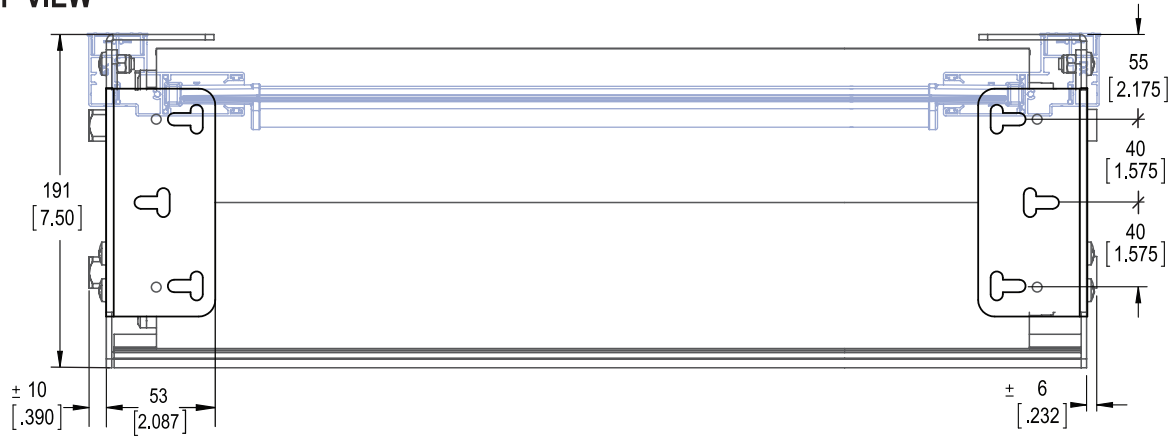


ALTEX[®]
SunProject™
line of products

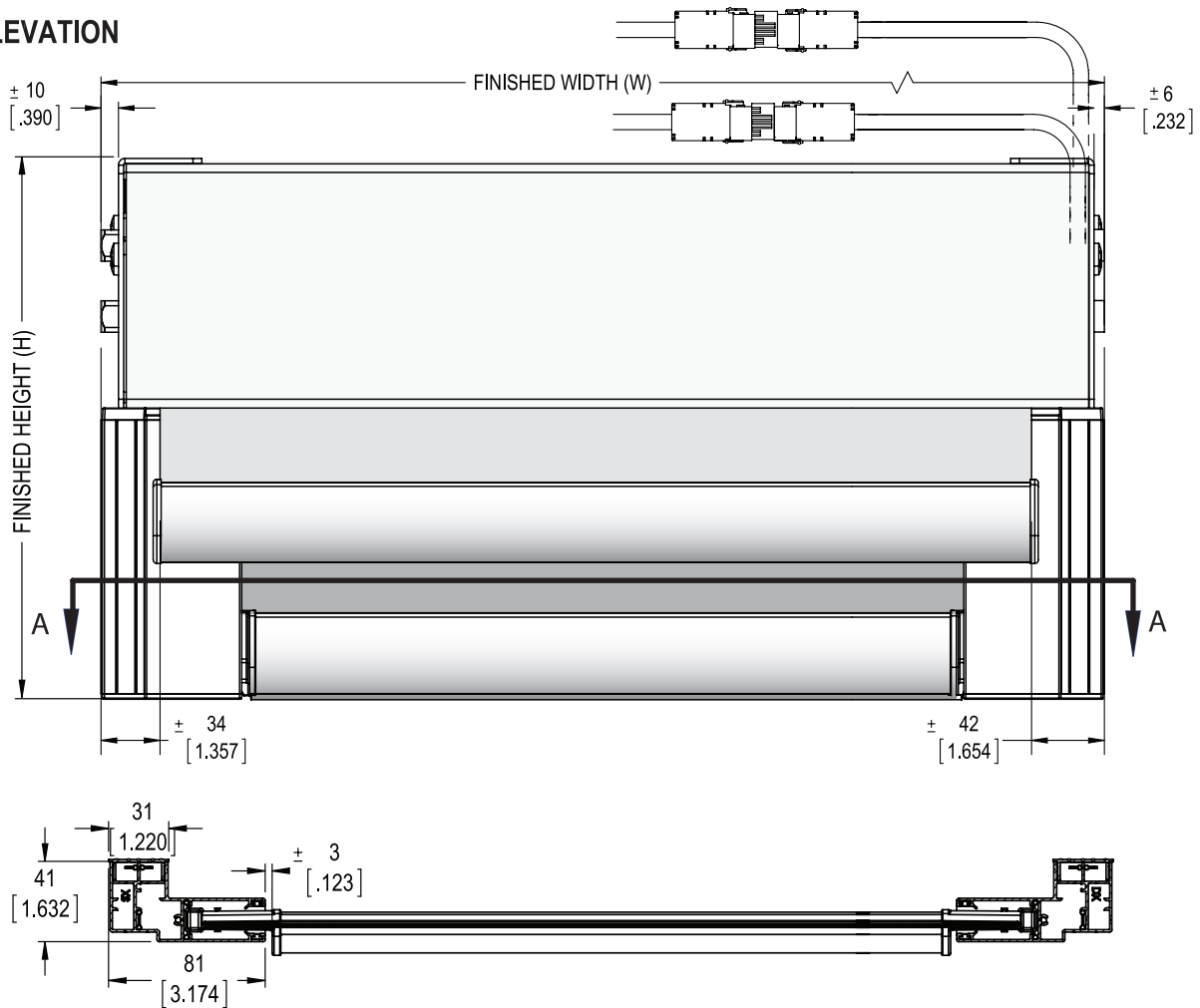
MODULINE[®] ELEKTRA DUAL 140 - 120VAC
E-50 / E-50 RTS / E50-ILT MOTOR OPERATED ROLLER SYSTEMS



TOP VIEW



ELEVATION

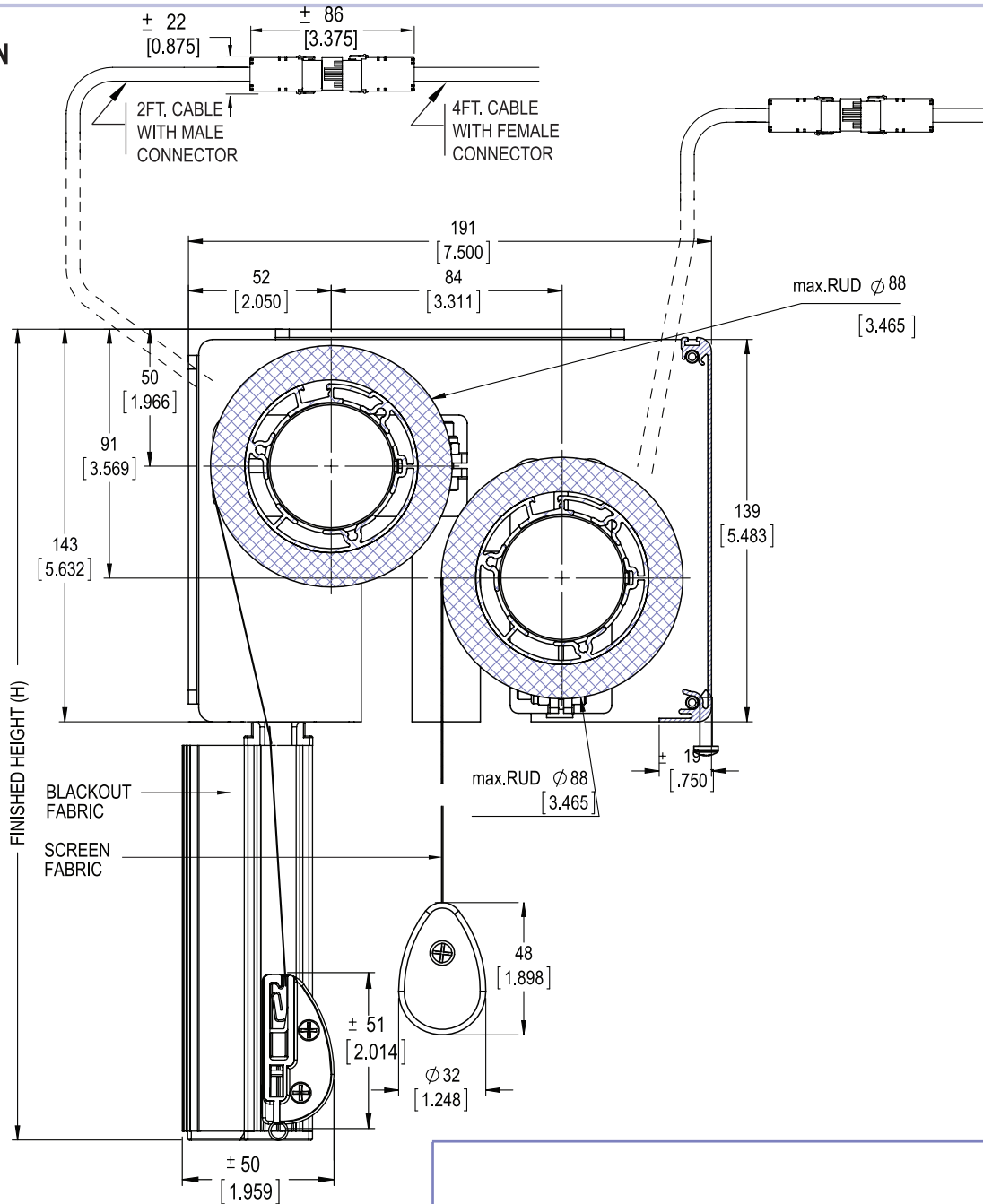


DUAL MDL41-140-EM/EM-E50

WITH OR WITHOUT FASCIA 140



SECTION



NOTE: For size limitation guidelines, please refer to our Size Limitation Detail Sheets or contact our Technical Department.

MONTREAL	TORONTO	VANCOUVER
T: 800.363.5930	T: 888.836.6980	T: 888.980.9899
@: info@altex.ca	@: sales@altex.ca	@: servicewest@altex.ca

MODEL

DUAL MDL41-140-EM/EM-E50



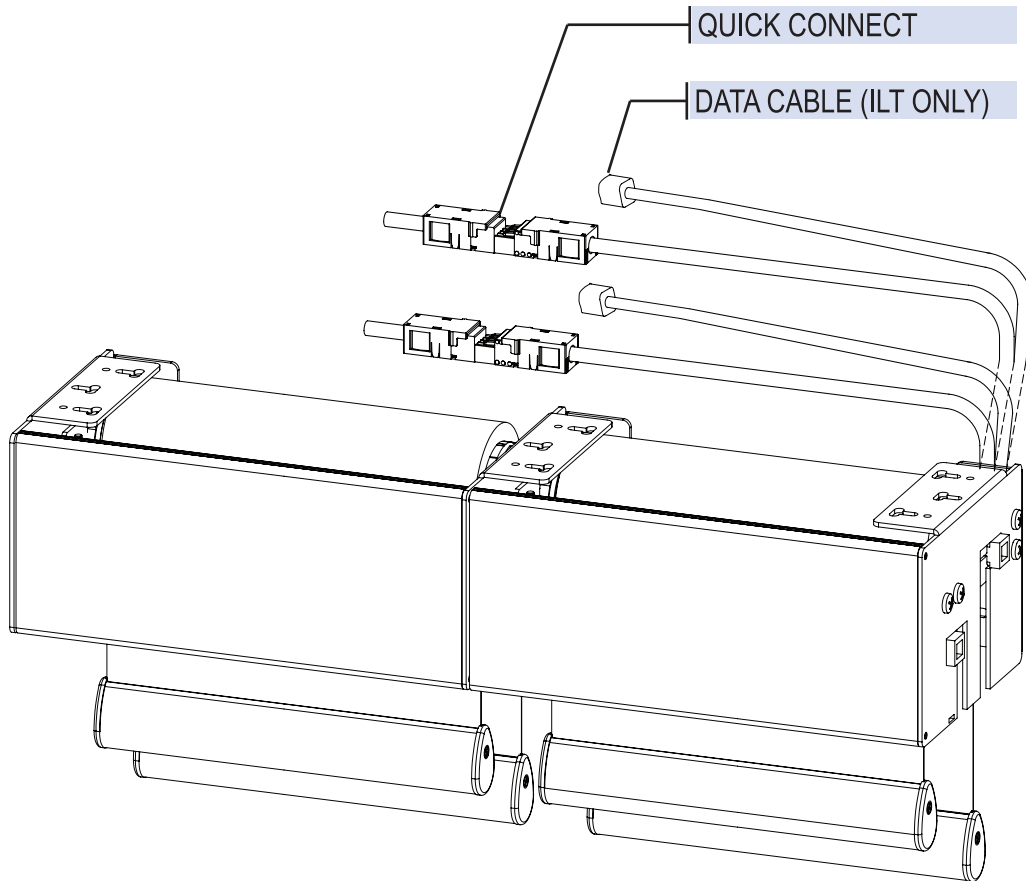
ALTEX[®]
SunProject™
line of products

MODULINE[®] ELEKTRA DUAL TANDEM 140 - 120VAC

E-50 / E-50 RTS / E50-ILT MOTOR OPERATED ROLLER SYSTEMS



ELEKTRA	REGULAR MOTOR
WITH OR WITHOUT FASCIA 140	
SHADE HOLDER: N/A	
MOTOR TYPE:	E- 50 - 120VAC
	E- 50 RTS - 120VAC
	E- 50 ILT - 120VAC



MULTIBANDS AVAILABLE IN: 2B 3B 4B

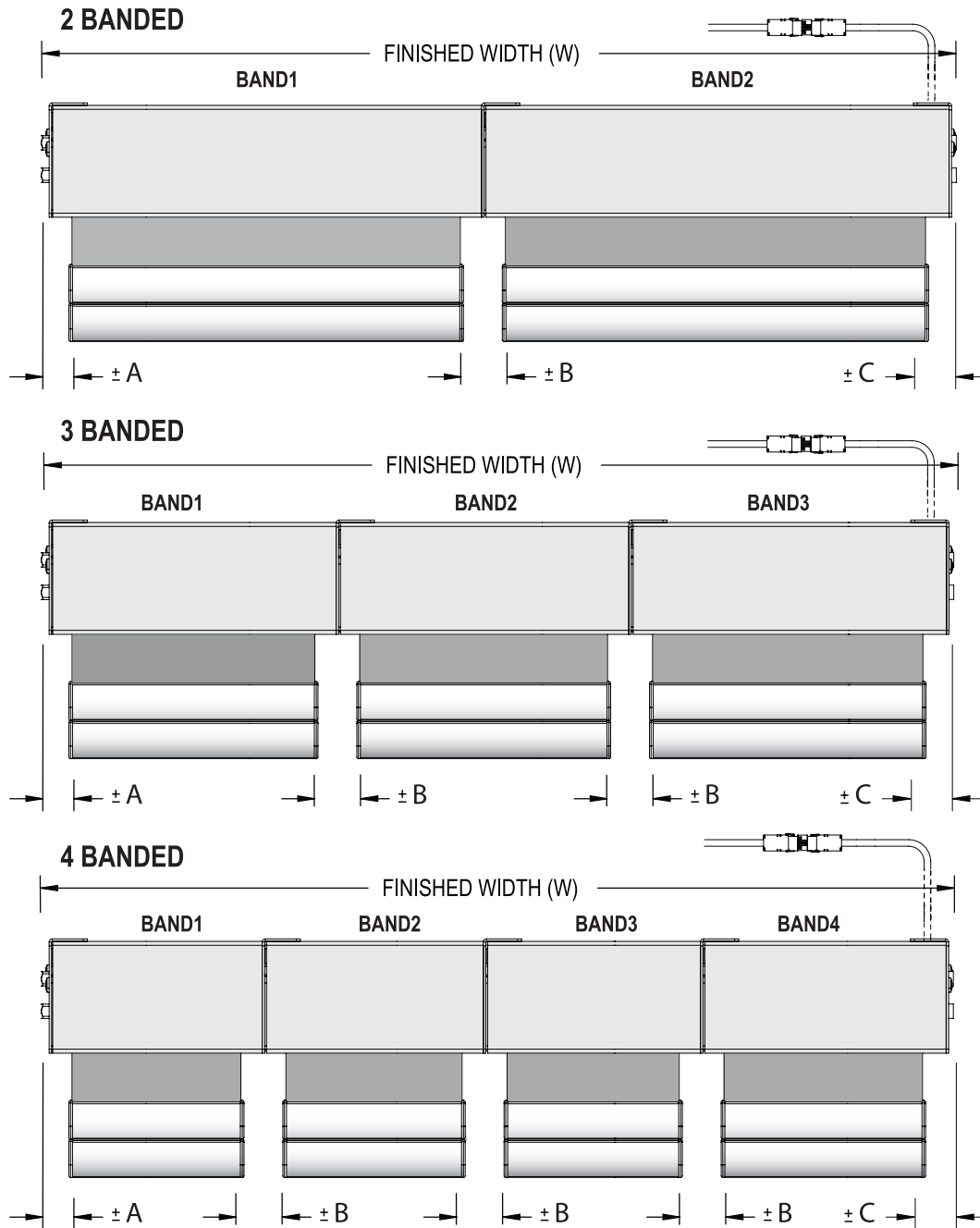
2 BANDED SYSTEM SHOWN

DUAL MDL11-140-EM/EM-TANDEM

WITH OR WITHOUT FASCIA 140



AVAILABLE TANDEM OPTIONS



EDGE CLEARANCE	A	B	C
DIMENSION	± 34 [1.339"]	± 56 [2.205"]	± 42 [1.654"]



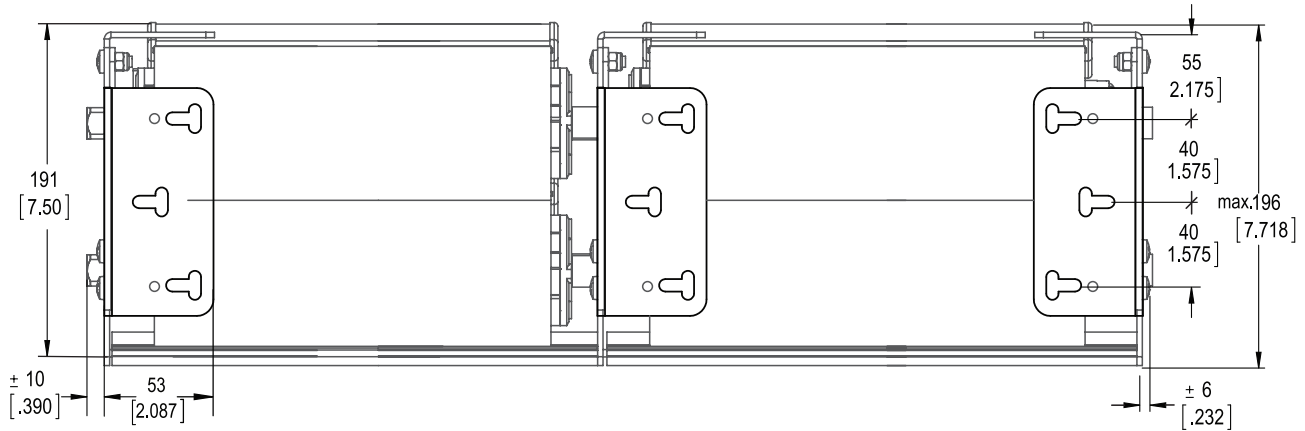
ALTEX[®]
SunProject™
line of products

MODULINE[®] ELEKTRA DUAL TANDEM 140 - 120VAC

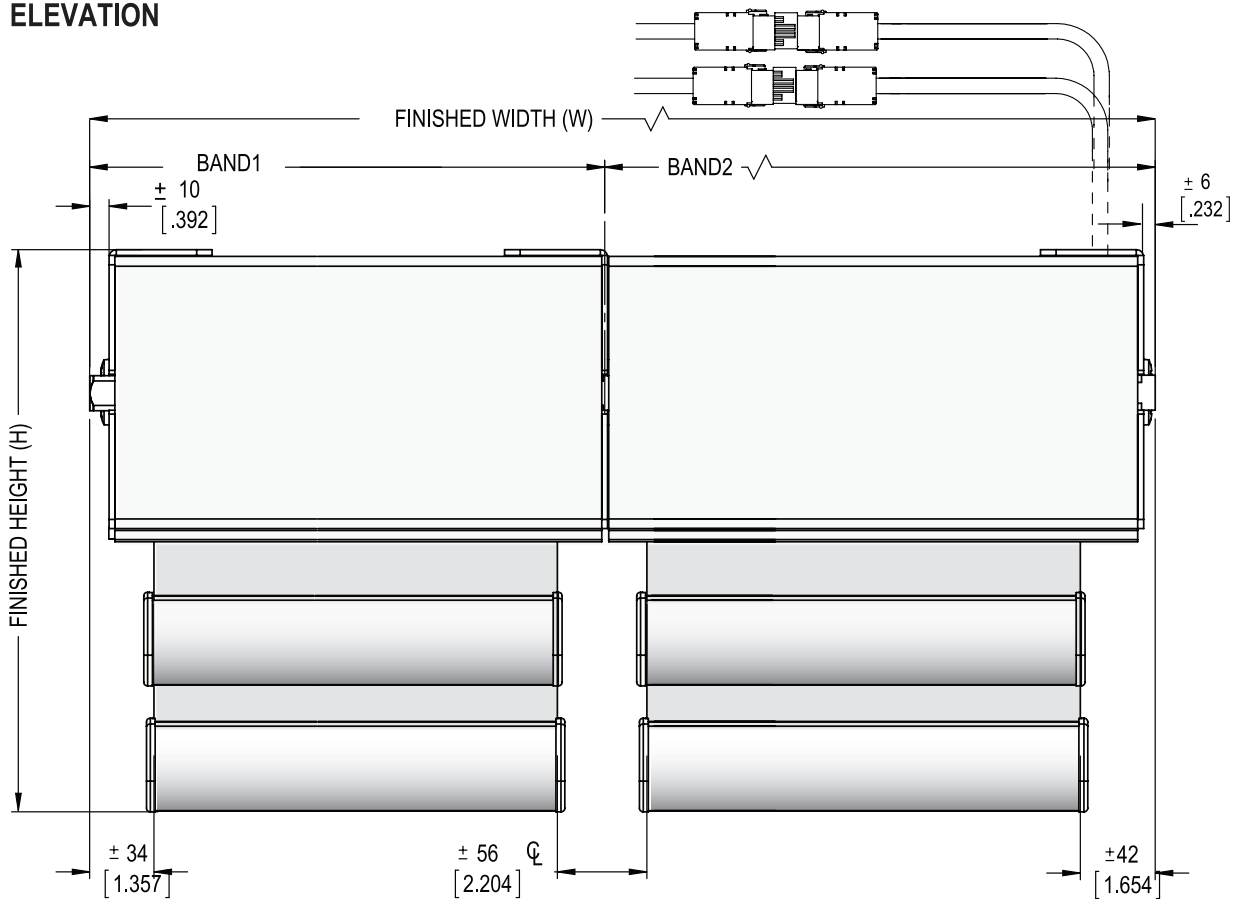
E-50 / E-50 RTS / E50-ILT MOTOR OPERATED ROLLER SYSTEMS



TOP VIEW



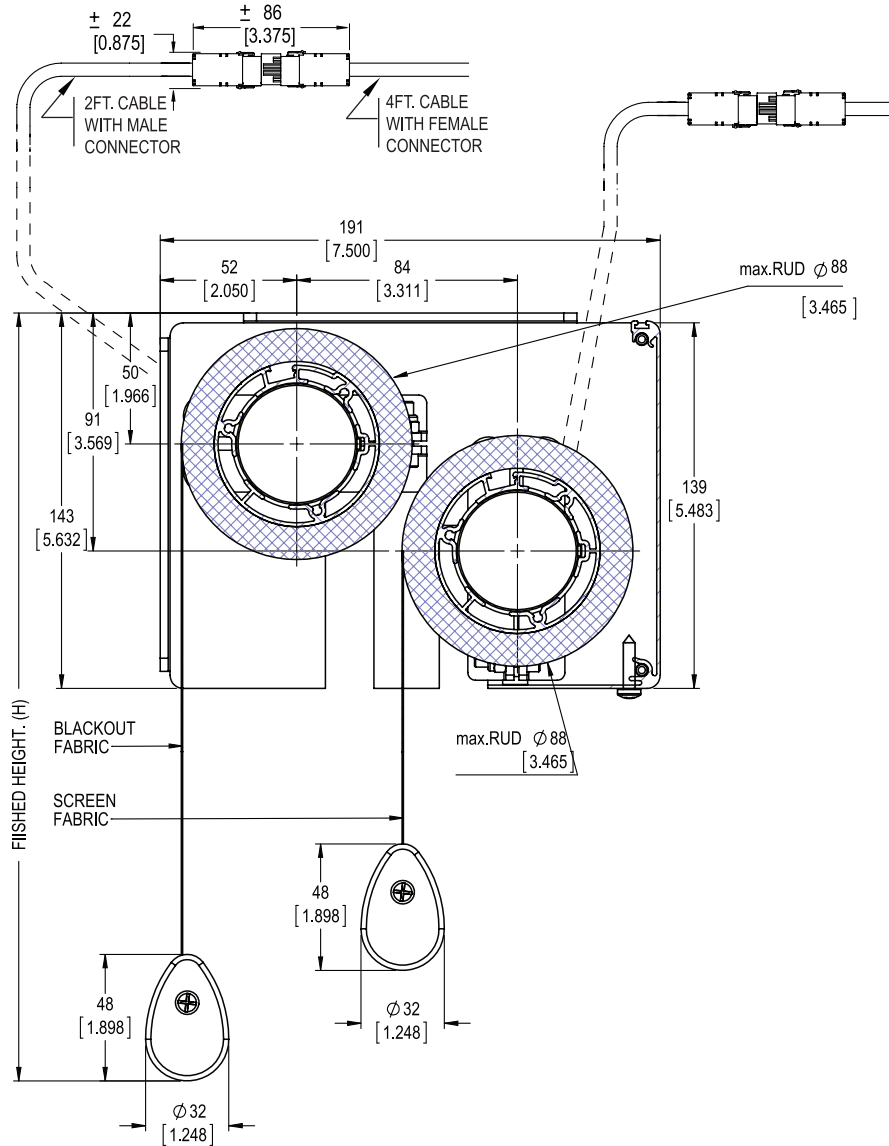
ELEVATION



DUAL MDL11-140-EM/EM-E50-TANDEM WITH OR WITHOUT FASCIA 140



SECTION



NOTE: For size limitation guidelines, please refer to our Size Limitation Detail Sheets or contact our Technical Department.

MONTREAL	TORONTO	VANCOUVER
T: 800.363.5930	T: 888.836.6980	T: 888.980.9899
@: info@altex.ca	@: sales@altex.ca	@: servicewest@altex.ca

MODEL

DUAL MDL11-140-EM/EM-E50-TANDEM



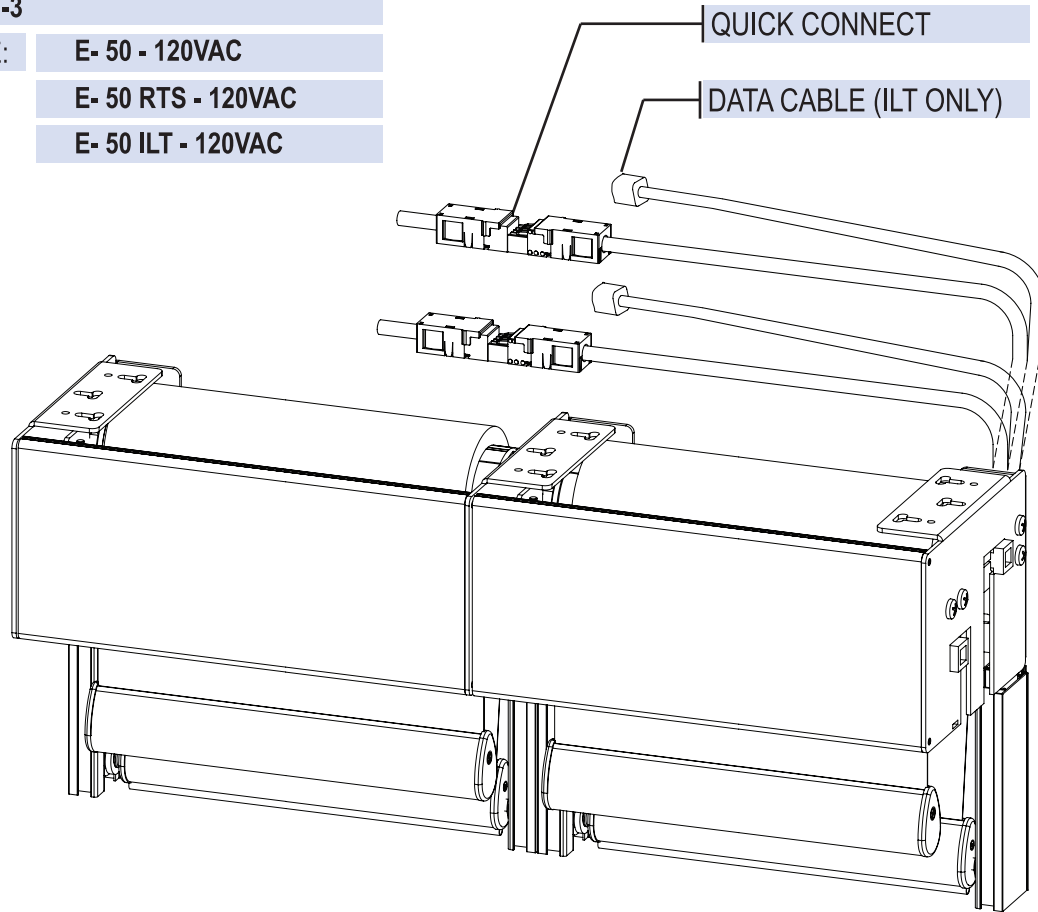
ALTEX[®]
SunProject™
line of products

MODULINE[®] ELEKTRA DUAL TANDEM 140 - 120VAC

E-50 / E-50 RTS / E50-ILT MOTOR OPERATED ROLLER SYSTEMS



ELEKTRA	REGUAL MOTOR
WITH OR WITHOUT FASCIA 140	
SHADE HOLDER: N/A	
CHANNEL: ST-3	
MOTOR TYPE:	E- 50 - 120VAC
	E- 50 RTS - 120VAC
	E- 50 ILT - 120VAC



MULTIBANDS AVAILABLE IN: 2B 3B 4B

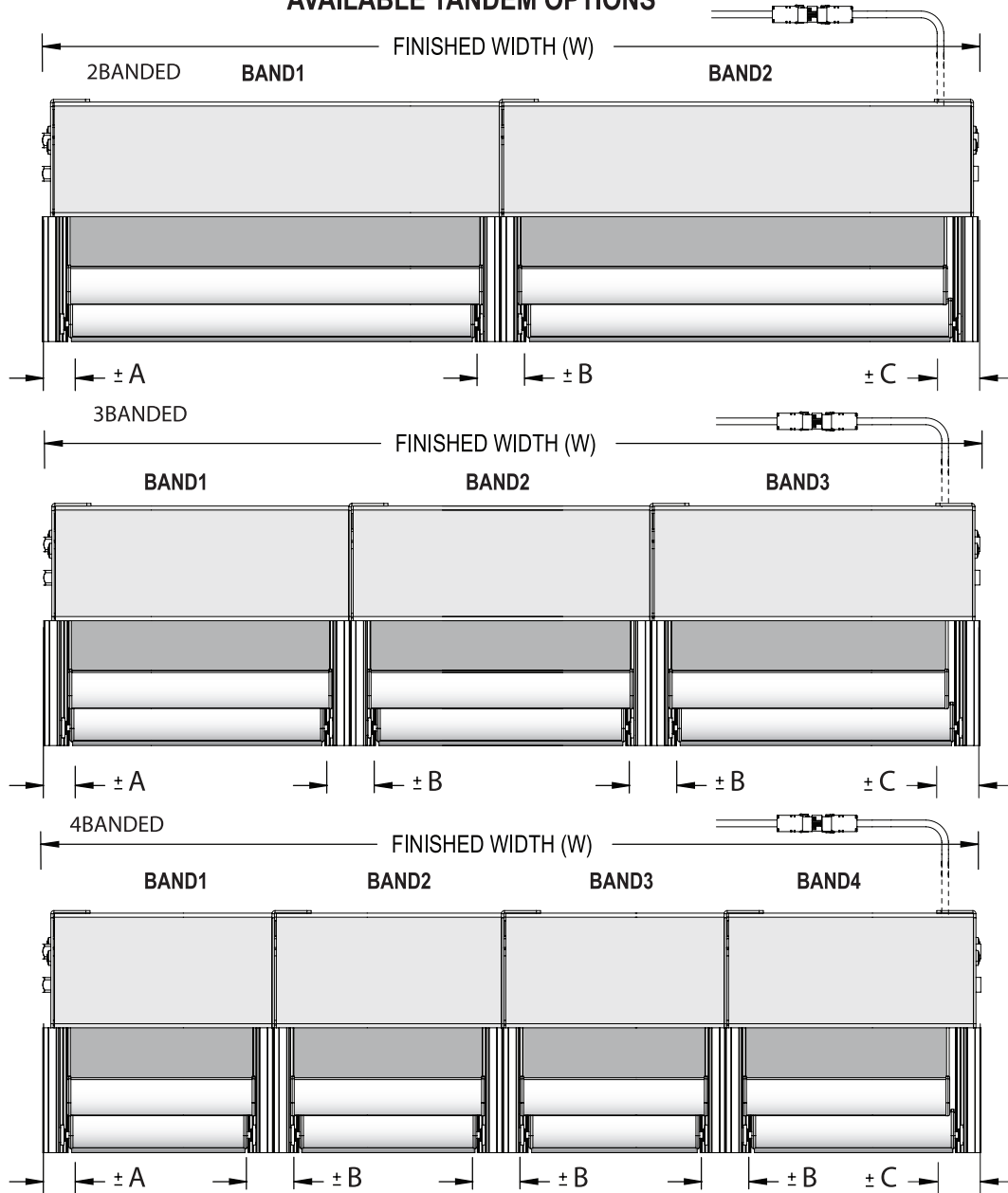
2 BANDED SYSTEM SHOWN

DUAL MDL31-140-EM/EM-TANDEM

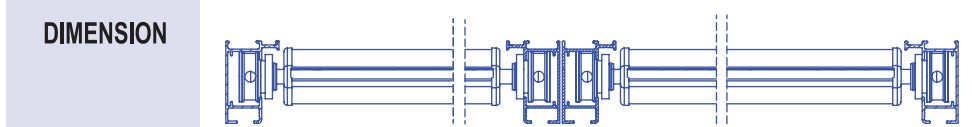
WITH OR WITHOUT FASCIA 140



AVAILABLE TANDEM OPTIONS



CHANNEL	A	B	C
	ST3	2 x ST3	ST3
	± 31 [1.220"]	± 62 [2.441"]	± 31 [1.220"]



DUAL MDL11-140-EM/EM-E50-TANDEM WITH OR WITHOUT FASCIA 140

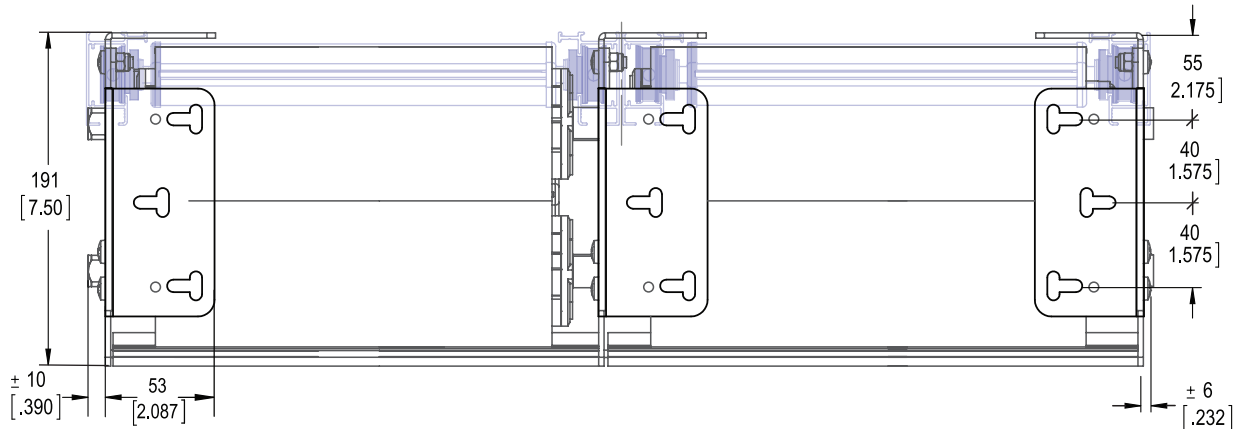


ALTEX[®]
SunProject™
line of products

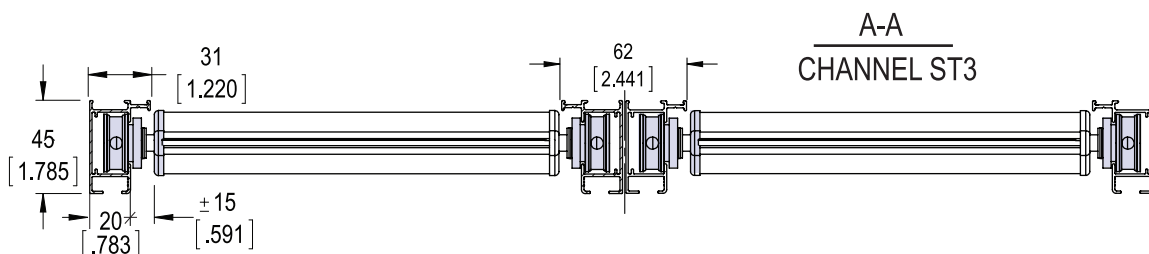
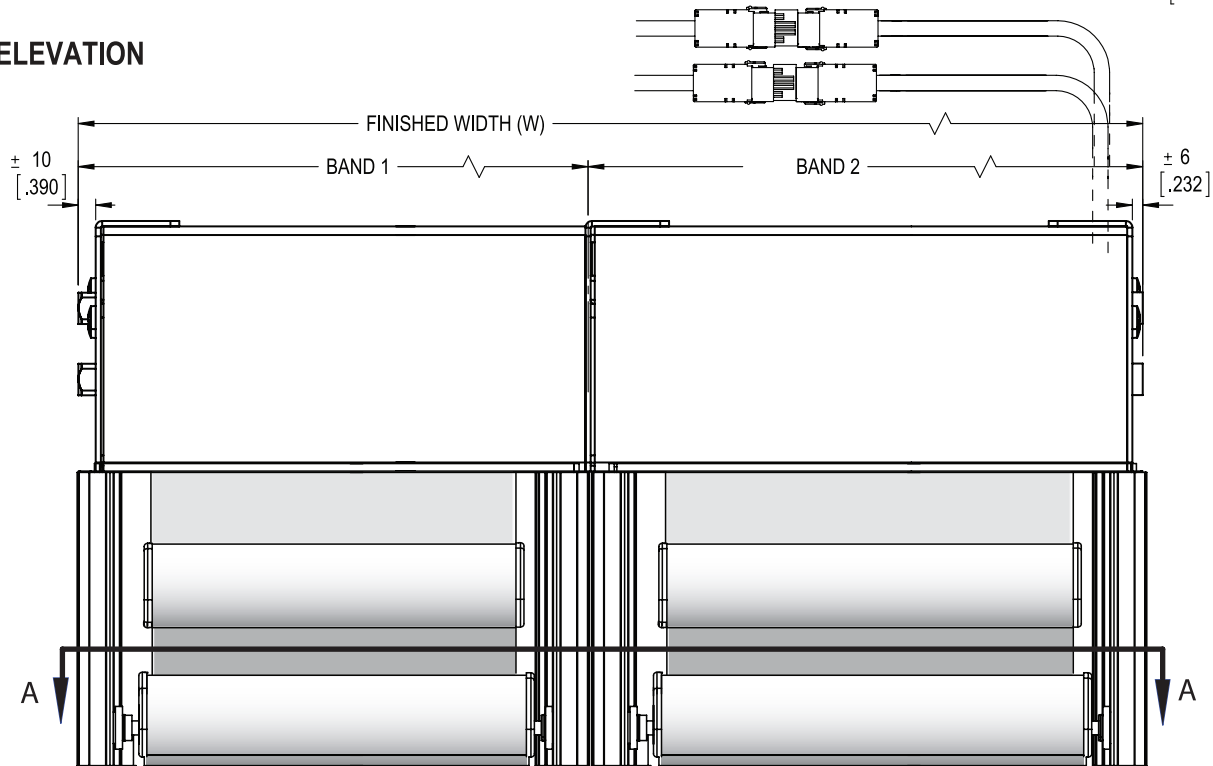
MODULINE[®] ELEKTRA DUAL TANDEM 140 - 120VAC
E-50 / E-50 RTS / E50-ILT MOTOR OPERATED ROLLER SYSTEMS



TOP VIEW



ELEVATION



DUAL MDL31-140-EM/EM-TANDEM

WITH OR WITHOUT FASCIA 140

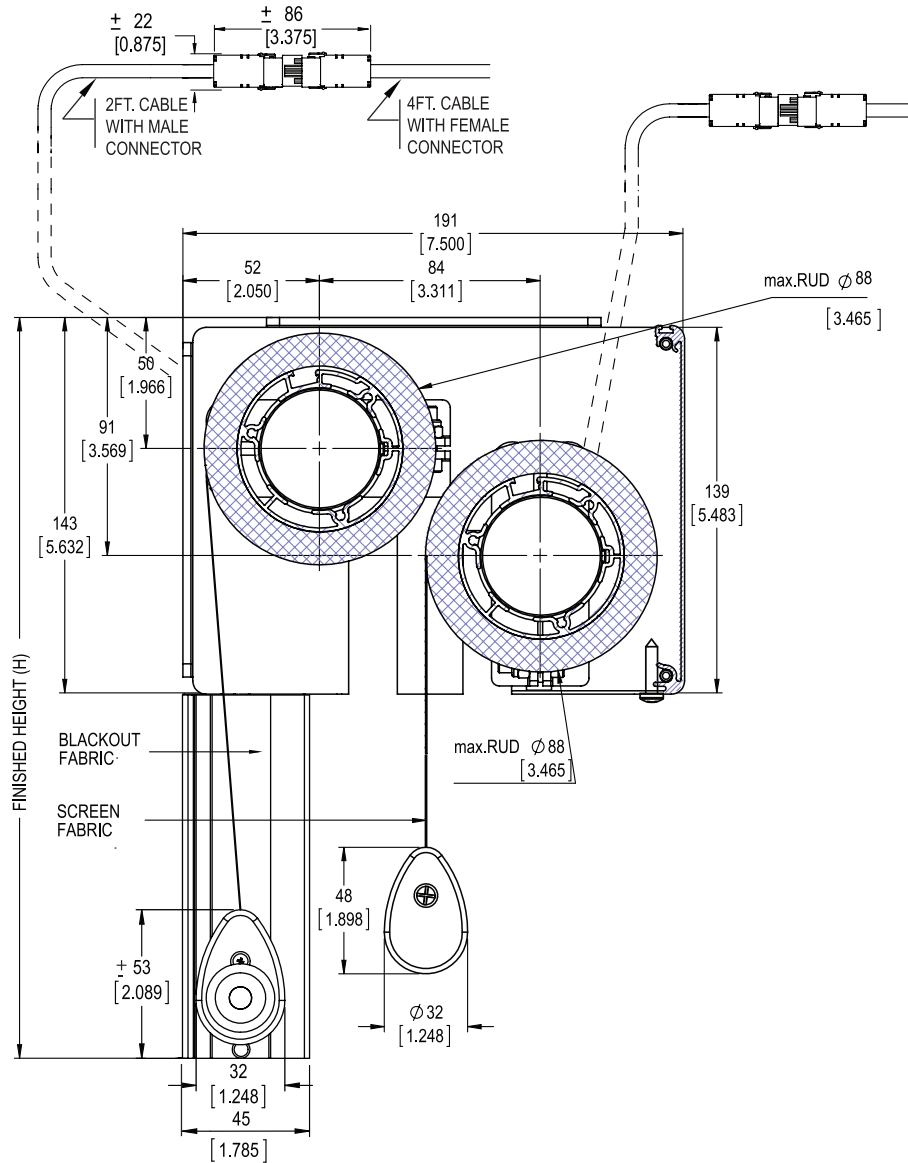


ALTEX[®]
SunProject™
line of products

MODULINE[®] ELEKTRA DUAL TANDEM 140 - 120VAC E-50 / E-50 RTS / E50-ILT MOTOR OPERATED ROLLER SYSTEMS



SECTION



NOTE: For size limitation guidelines, please refer to our Size Limitation Detail Sheets or contact our Technical Department.

MONTREAL	TORONTO	VANCOUVER
T: 800.363.5930	T: 888.836.6980	T: 888.980.9899
@: info@altex.ca	@: sales@altex.ca	@: servicewest@altex.ca

MODEL

DUAL MDL31-140-EM/EM-E50-TANDEM



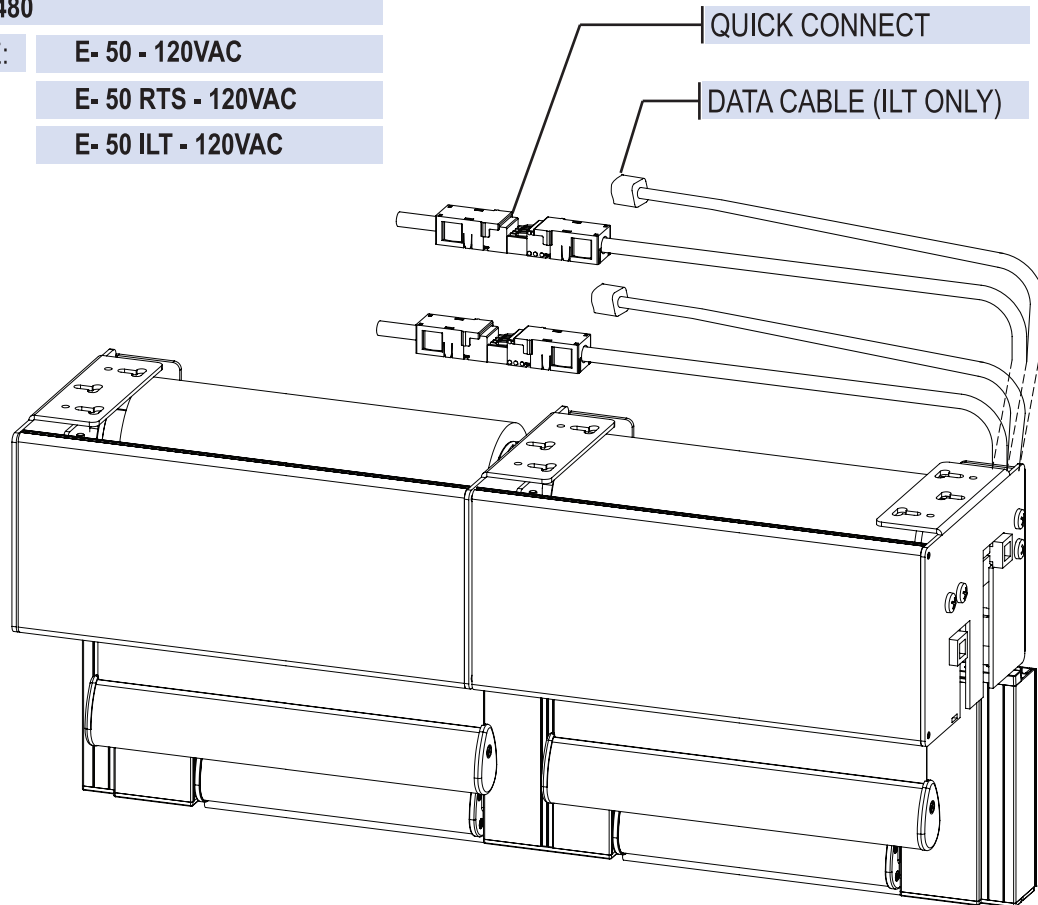
ALTEX[®]
SunProject™
line of products

MODULINE[®] ELEKTRA DUAL TANDEM 140 - 120VAC

E-50 / E-50 RTS / E50-ILT MOTOR OPERATED ROLLER SYSTEMS



ELEKTRA	REGULAR MOTOR
WITH OR WITHOUT FASCIA 140	
SHADE HOLDER: N/A	
CHANNEL: T-480	
MOTOR TYPE:	E- 50 - 120VAC
	E- 50 RTS - 120VAC
	E- 50 ILT - 120VAC

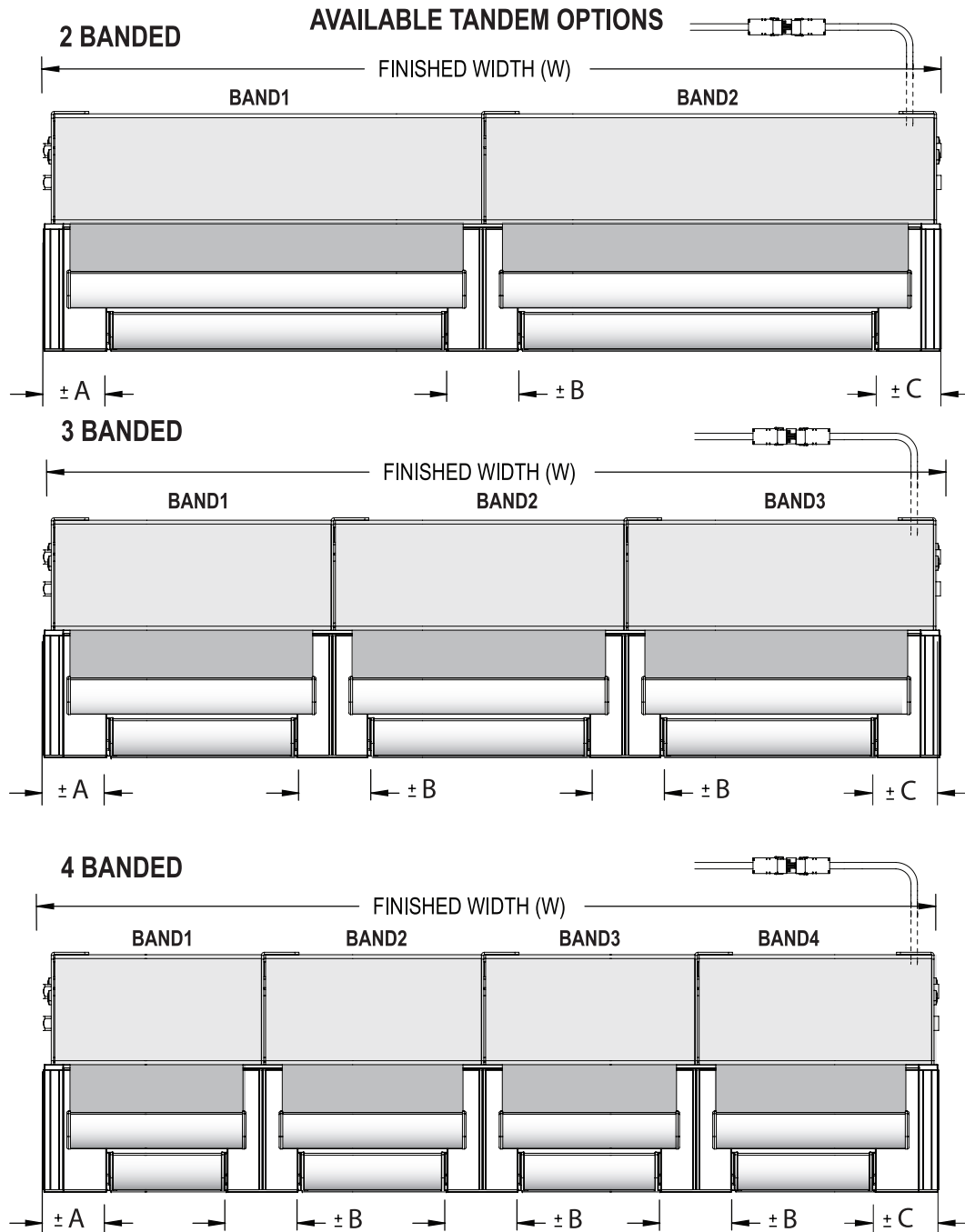


MULTIBANDS AVAILABLE IN: 2B 3B 4B

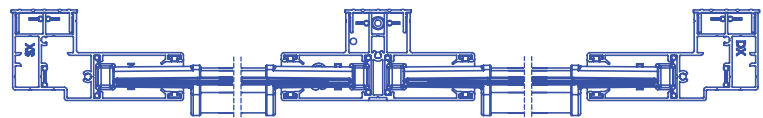
2 BANDED SYSTEM SHOWN

DUAL MDL41-140-EM/EM-TANDEM

WITH OR WITHOUT FASCIA 140



	A	B	C
CHANNEL	T-480	T-490	T-480
DIMENSION	± 81 [3.174"]	± 90 [3.543"]	± 81 [3.174"]



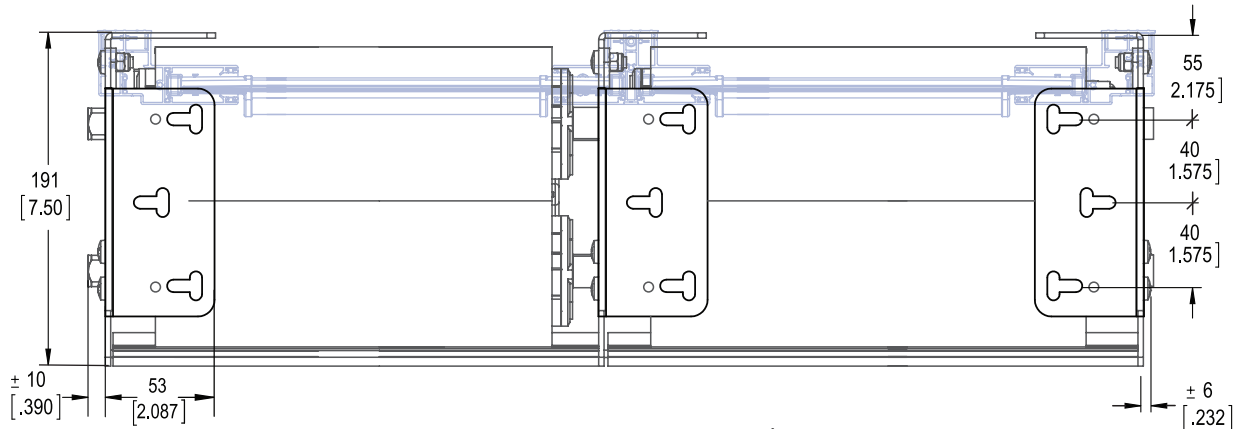


ALTEX[®]
SunProject™
line of products

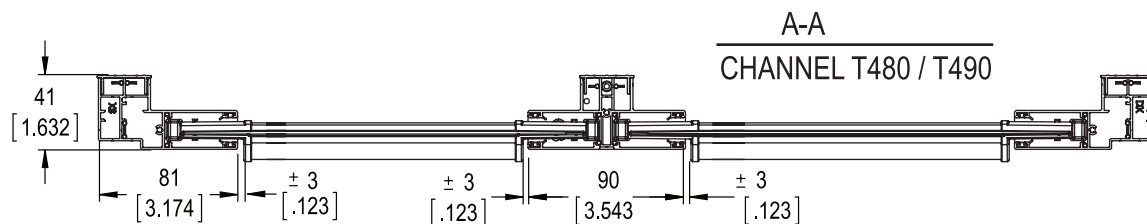
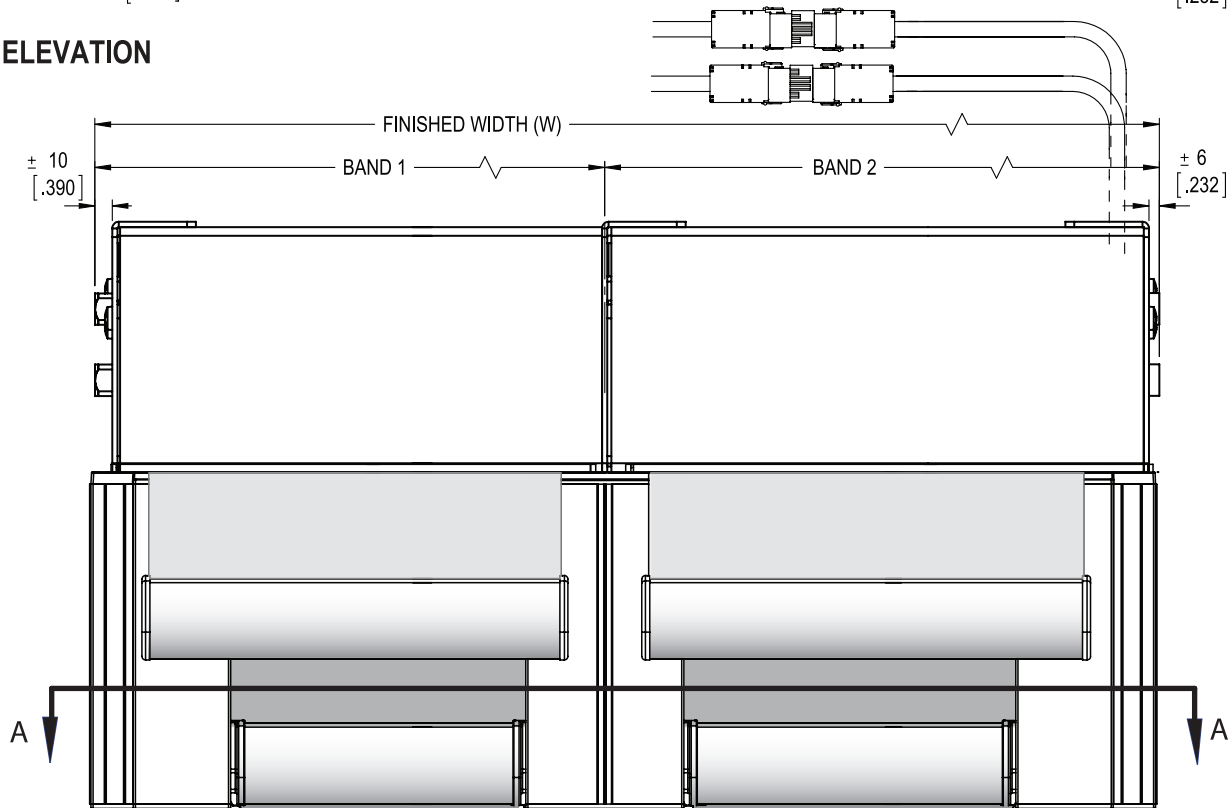
MODULINE[®] ELEKTRA DUAL TANDEM 140 - 120VAC
E-50 / E-50 RTS / E50-ILT MOTOR OPERATED ROLLER SYSTEMS



TOP VIEW



ELEVATION



DUAL MDL41-140-EM/EM-E50-TANDEM WITH OR WITHOUT FASCIA 140

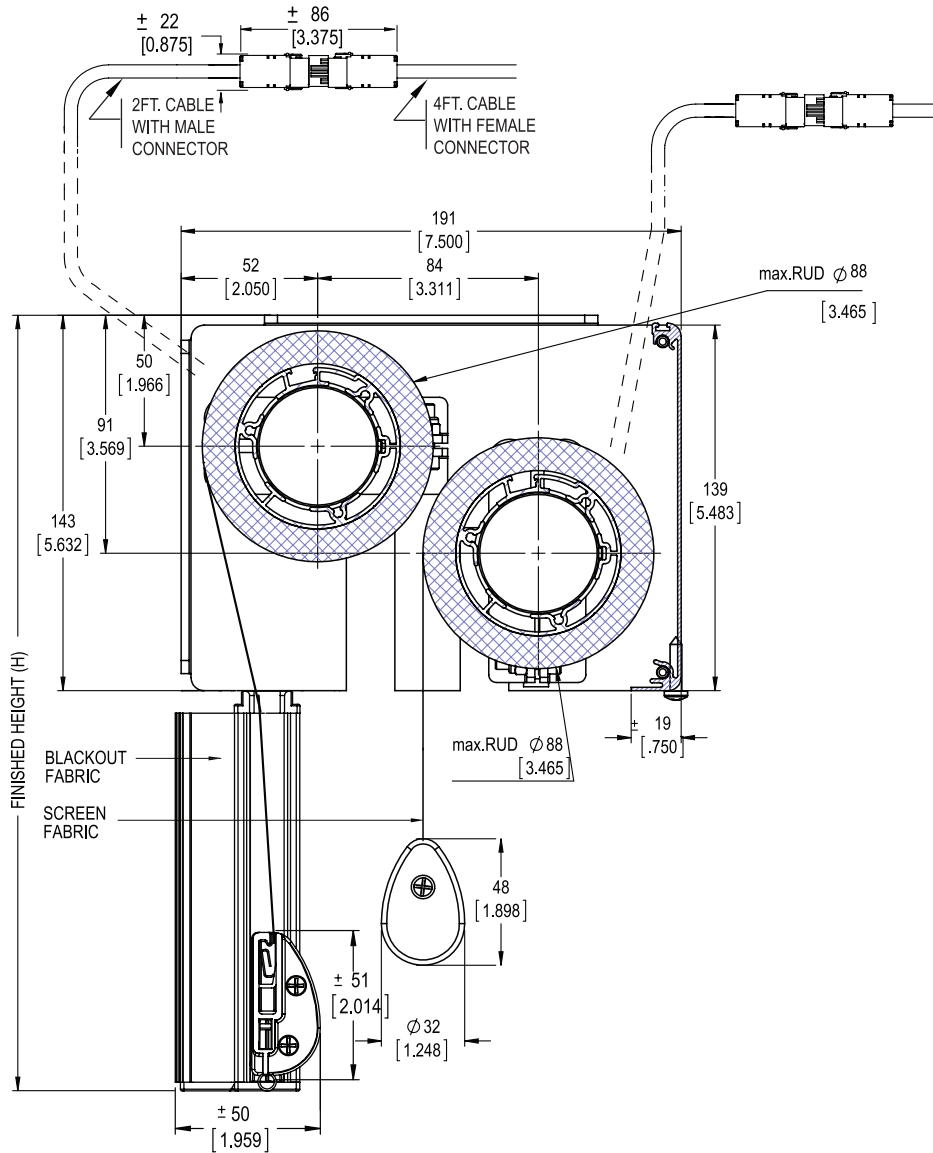


ALTEX[®]
SunProject™
line of products

MODULINE[®] ELEKTRA DUAL TANDEM 140 - 120VAC E-50 / E-50 RTS / E50-ILT MOTOR OPERATED ROLLER SYSTEMS



SECTION



NOTE: For size limitation guidelines, please refer to our Size Limitation Detail Sheets or contact our Technical Department.

MONTREAL	TORONTO	VANCOUVER
T: 800.363.5930	T: 888.836.6980	T: 888.980.9899
@: info@altex.ca	@: sales@altex.ca	@: servicewest@altex.ca

MODEL

DUAL MDL41-140-EM/EM-E50-TANDEM



ALTEX[®]
SunProject[™]
line of products

A series of horizontal blue lines spanning the width of the page, providing a template for writing or drawing.



ALTEX[®]

SunProject[™]
line of products

MONTREAL

3530, boul. des Entreprises

Terrebonne (Québec)

Canada J6X 4J8

Phone: 450-968-0880

Toll free: 800-363-5930

TORONTO

500 Applewood Crescent

Vaughan, Ontario

Canada L4K 4B4

Phone: 905-660-3117

Toll free: 888-836-6980

VANCOUVER

1160-21331 Gordon Way

Richmond, British Columbia

Canada V6W 1J9

Phone: 604-980-9899

Toll free: 888-980-9899



ALTEX[®]

SunProject[™]

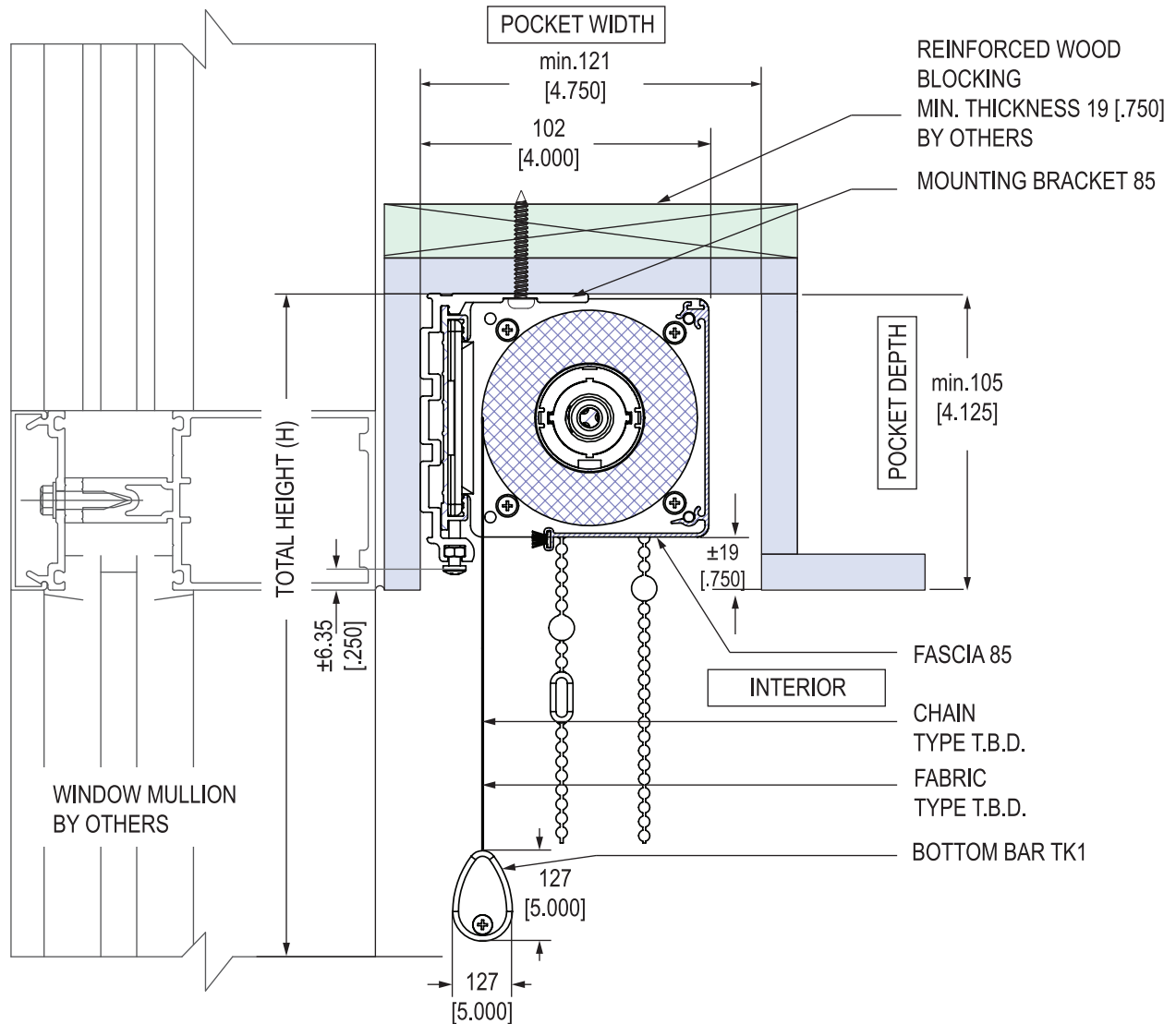
line of products

ROLLER SHADING SYSTEMS

LITE-LIFT[®] **ELEKTRA**

 **MODULINE**[®] system

RECESSED APPLICATION



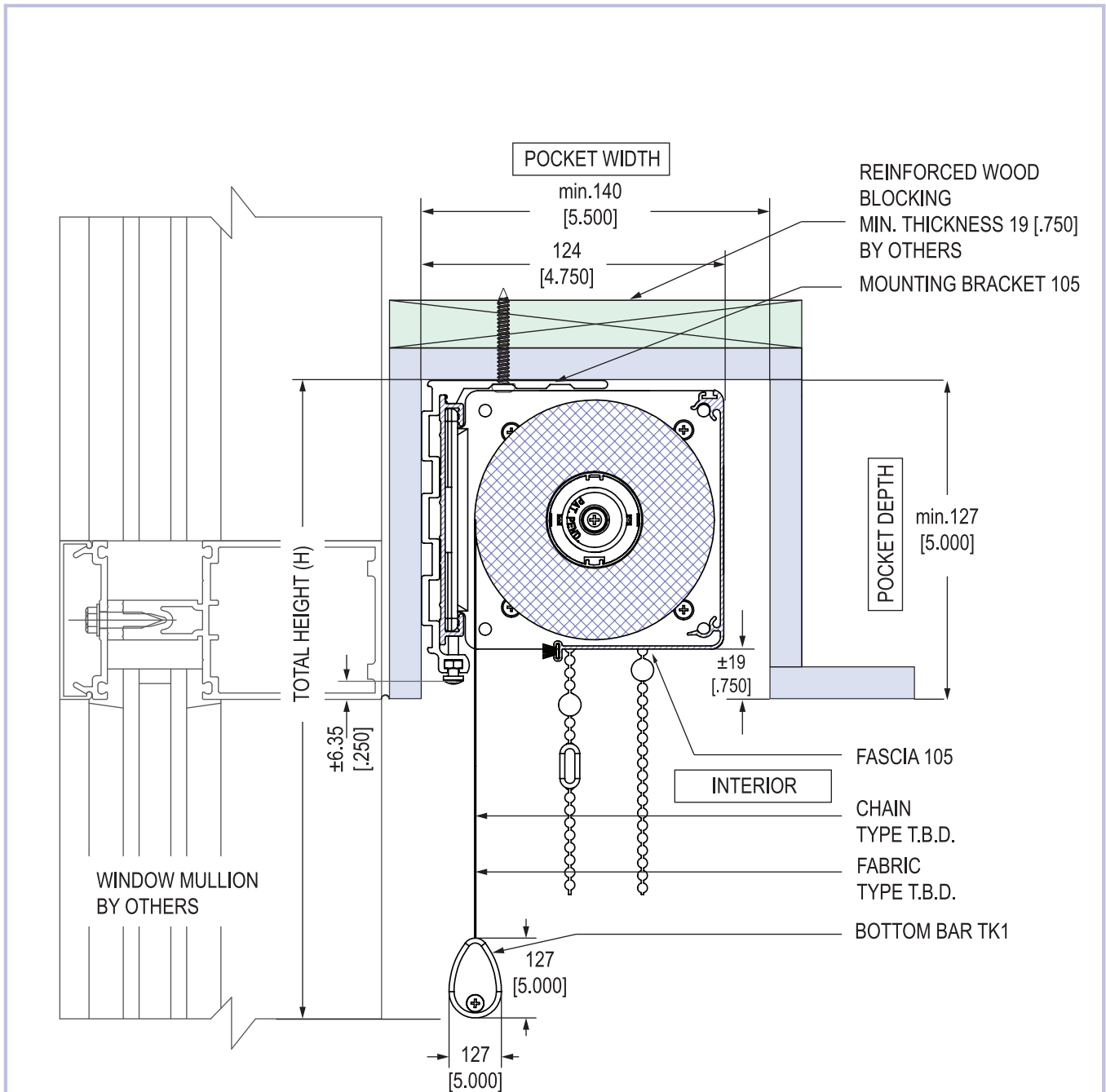
NOTE: For size limitation guidelines, please refer to our Size Limitation Detail Sheets or contact our Technical Department.

NOTES:
1) POCKET SHOWN CONCEPTUAL. POCKET - BY OTHERS.
2) DRAWING SHOWN FOR REFERENCE. CONTACT TECH. DEPT. FOR SITE SPECIFIC DRAWINGS

MONTREAL T: 800.363.5930 @: info@altex.ca	TORONTO T: 888.836.6980 @: sales@altex.ca	VANCOUVER T: 888.980.9899 @: servicewest@altex.ca
-------------------------------------------------	-------------------------------------------------	---------------------------------------------------------

MDL1-LL-85-PKT

WITH FASCIA 85

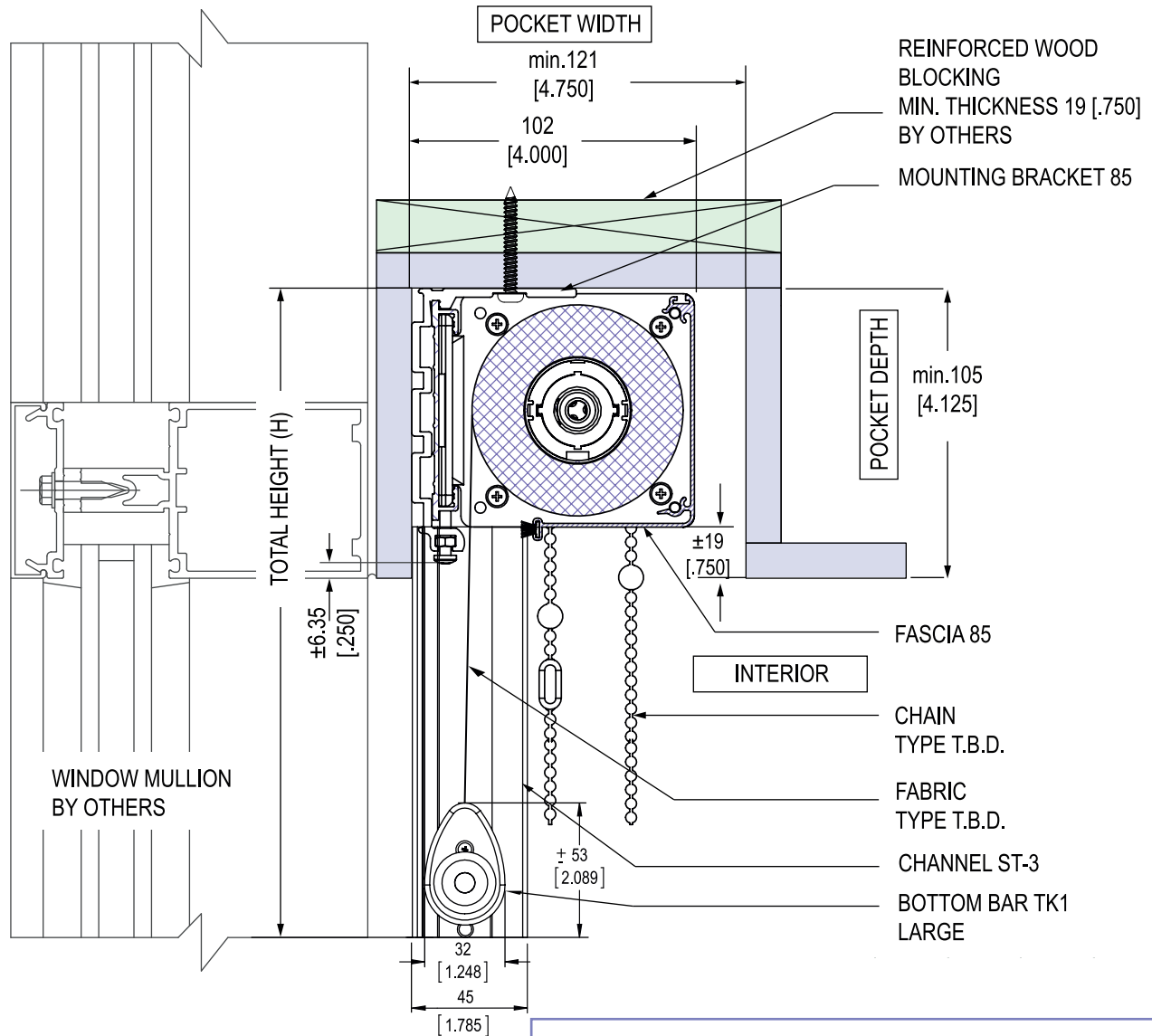


NOTE: For size limitation guidelines, please refer to our Size Limitation Detail Sheets or contact our Technical Department.

NOTES:
1) POCKET SHOWN CONCEPTUAL. POCKET - BY OTHERS.
2) DRAWING SHOWN FOR REFERENCE. CONTACT TECH. DEPT. FOR SITE SPECIFIC DRAWINGS

MONTREAL T: 800.363.5930 @: info@altex.ca	TORONTO T: 888.836.6980 @: sales@altex.ca	VANCOUVER T: 888.980.9899 @: servicewest@altex.ca
--------------------------------------------------------	--------------------------------------------------------	----------------------------------------------------------------

MDL1-LL-105-PKT **WITH FASCIA 105**



NOTE: For size limitation guidelines, please refer to our Size Limitation Detail Sheets or contact our Technical Department.

NOTES:

- 1) POCKET SHOWN CONCEPTUAL. POCKET - BY OTHERS.
- 2) DRAWING SHOWN FOR REFERENCE. CONTACT TECH. DEPT. FOR SITE SPECIFIC DRAWINGS

MONTREAL

T: 800.363.5930

@: info@altex.ca

TORONTO

T: 888.836.6980

@: sales@altex.ca

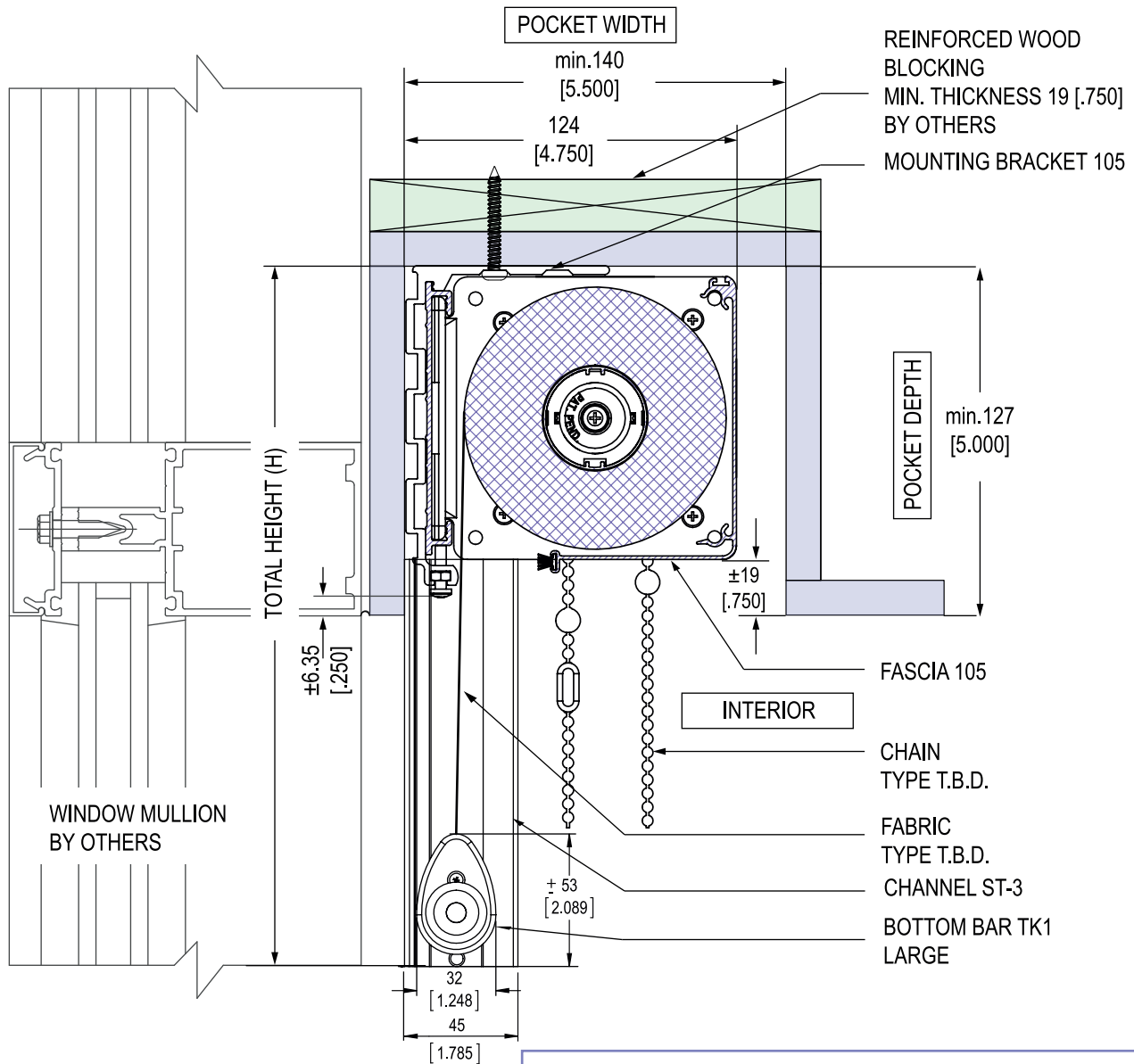
VANCOUVER

T: 888.980.9899

@: servicewest@altex.ca

MDL3-LL-85-PKT

WITH FASCIA 85



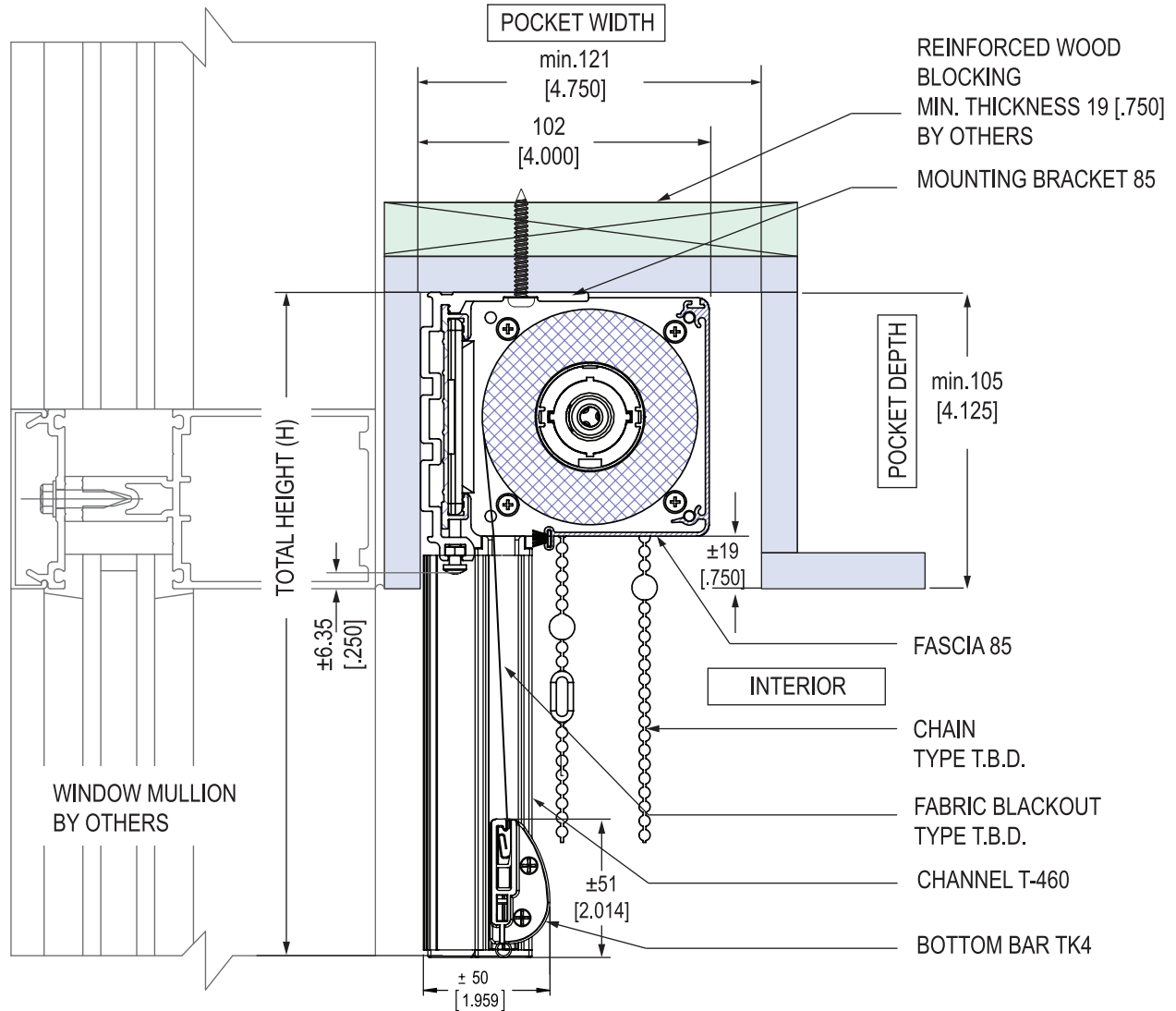
NOTE: For size limitation guidelines, please refer to our Size Limitation Detail Sheets or contact our Technical Department.

NOTES:
1) POCKET SHOWN CONCEPTUAL. POCKET - BY OTHERS.
2) DRAWING SHOWN FOR REFERENCE. CONTACT TECH. DEPT. FOR SITE SPECIFIC DRAWINGS

MONTREAL T: 800.363.5930 @: info@altex.ca	TORONTO T: 888.836.6980 @: sales@altex.ca	VANCOUVER T: 888.980.9899 @: servicewest@altex.ca
-------------------------------------------------	-------------------------------------------------	---------------------------------------------------------

MDL3-LL-105-PKT

WITH FASCIA 105



NOTE: For size limitation guidelines, please refer to our Size Limitation Detail Sheets or contact our Technical Department.

NOTES:

- 1) POCKET SHOWN CONCEPTUAL. POCKET - BY OTHERS.
- 2) DRAWING SHOWN FOR REFERENCE. CONTACT TECH. DEPT. FOR SITE SPECIFIC DRAWINGS

MONTREAL

T: 800.363.5930

@: info@altex.ca

TORONTO

T: 888.836.6980

@: sales@altex.ca

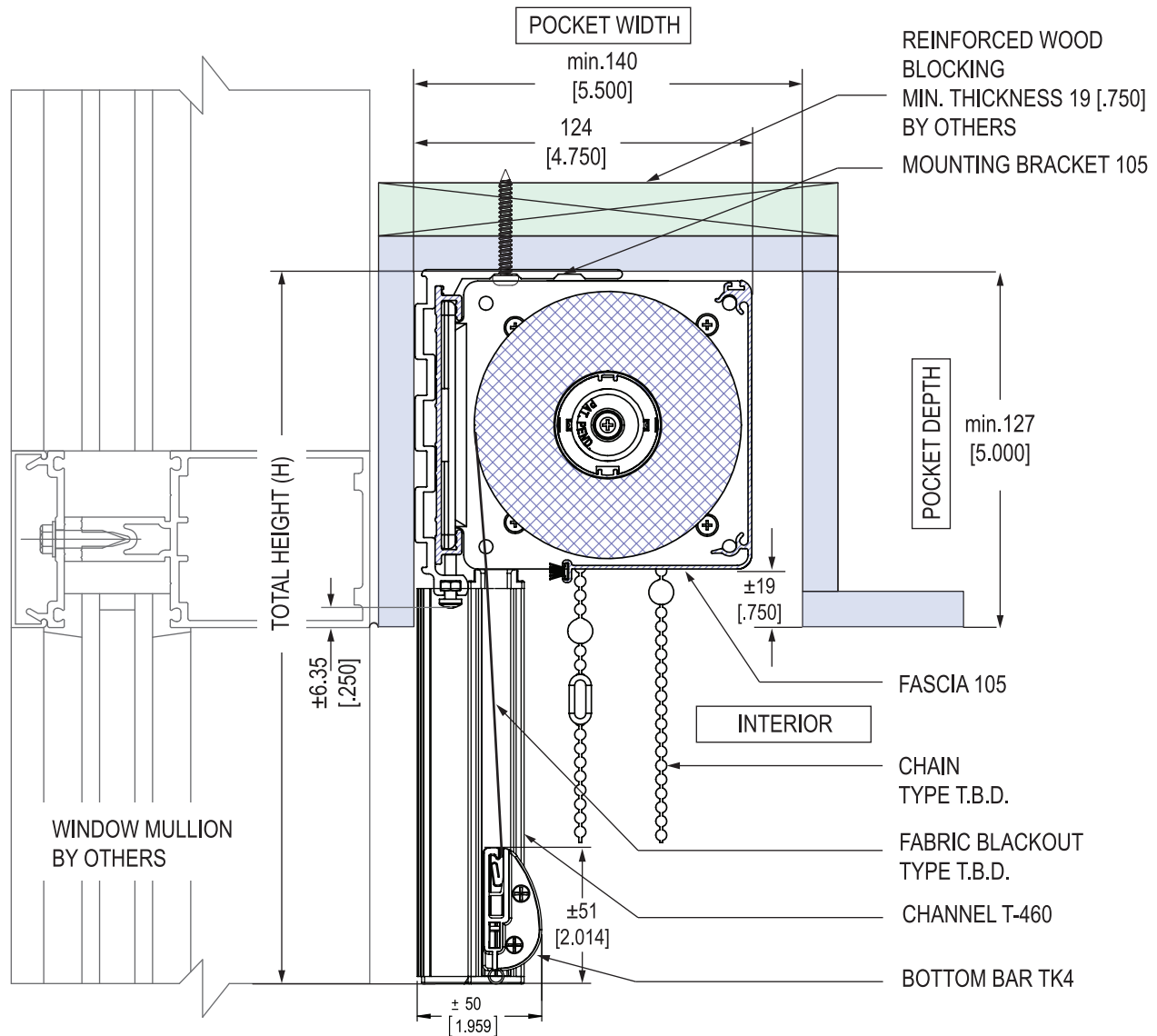
VANCOUVER

T: 888.980.9899

@: servicewest@altex.ca

MDL4-LL-85-PKT

WITH FASCIA 85



NOTES:

- 1) POCKET SHOWN CONCEPTUAL. POCKET - BY OTHERS.
- 2) DRAWING SHOWN FOR REFERENCE. CONTACT TECH. DEPT. FOR SITE SPECIFIC DRAWINGS

NOTE: For size limitation guidelines, please refer to our Size Limitation Detail Sheets or contact our Technical Department.

MONTREAL

T: 800.363.5930

@: info@altex.ca

TORONTO

T: 888.836.6980

@: sales@altex.ca

VANCOUVER

T: 888.980.9899

@: servicewest@altex.ca

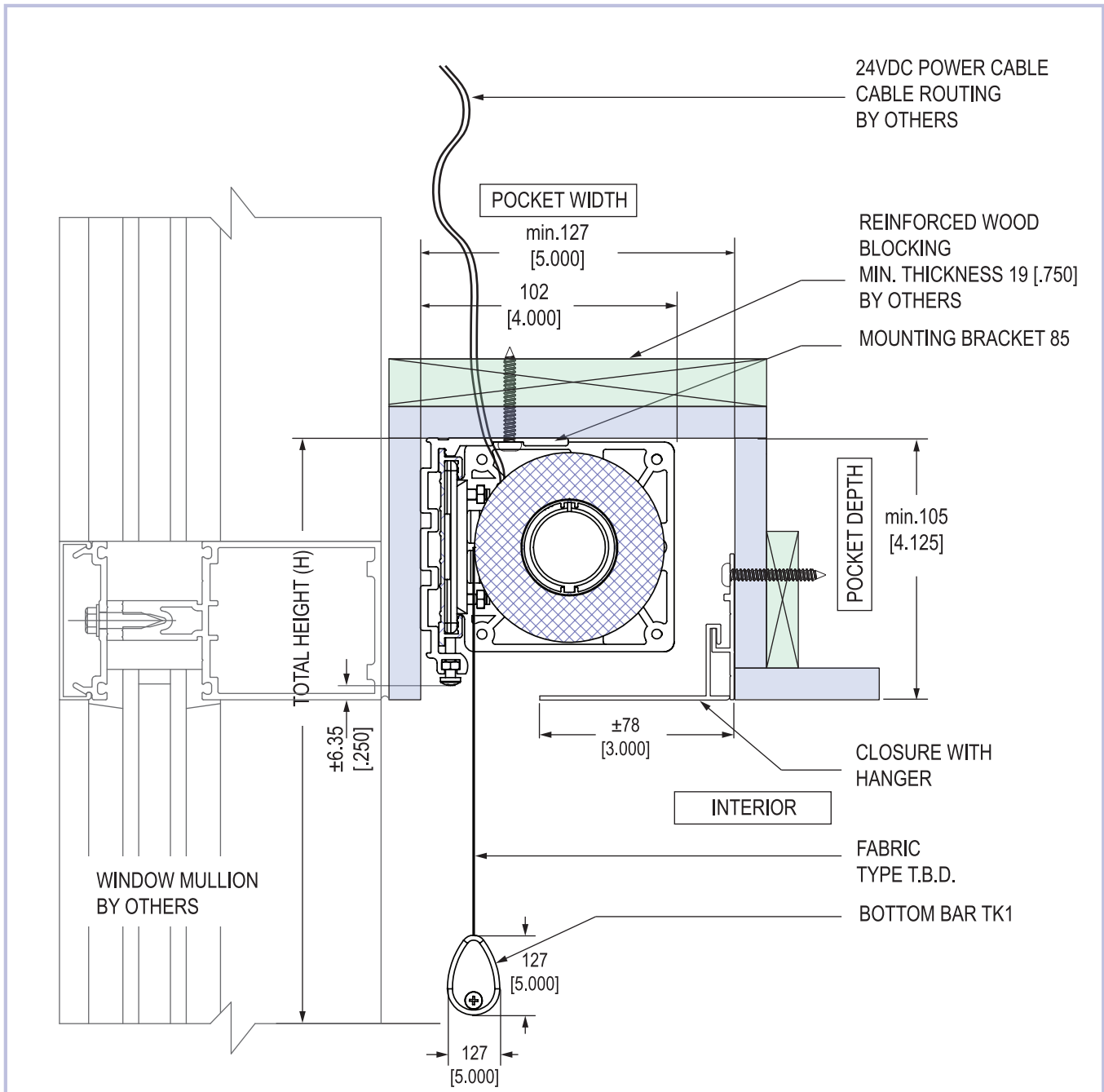
MDL4-LL-105-PKT

WITH FASCIA 105



ALTEX[®]
SunProject™
line of products

MODULINE[®] ELEKTRA 85 MOTOR OPERATED 24VDC RECESSED APPLICATION



NOTES:

- 1) POCKET SHOWN CONCEPTUAL. POCKET - BY OTHERS.
- 2) DRAWING SHOWN FOR REFERENCE. CONTACT TECH. DEPT. FOR SITE SPECIFIC DRAWINGS
- 3) CABLE ROUTING MUST BE DETERMINED PRIOR SHADE INSTALLATION. COORDINATE WITH TECH. DEPT.
- 4) 24VDC AND DATA WIRING - BY OTHERS

NOTE: For size limitation guidelines, please refer to our Size Limitation Detail Sheets or contact our Technical Department.

MONTREAL

T: 800.363.5930

@: info@altex.ca

TORONTO

T: 888.836.6980

@: sales@altex.ca

VANCOUVER

T: 888.980.9899

@: servicewest@altex.ca

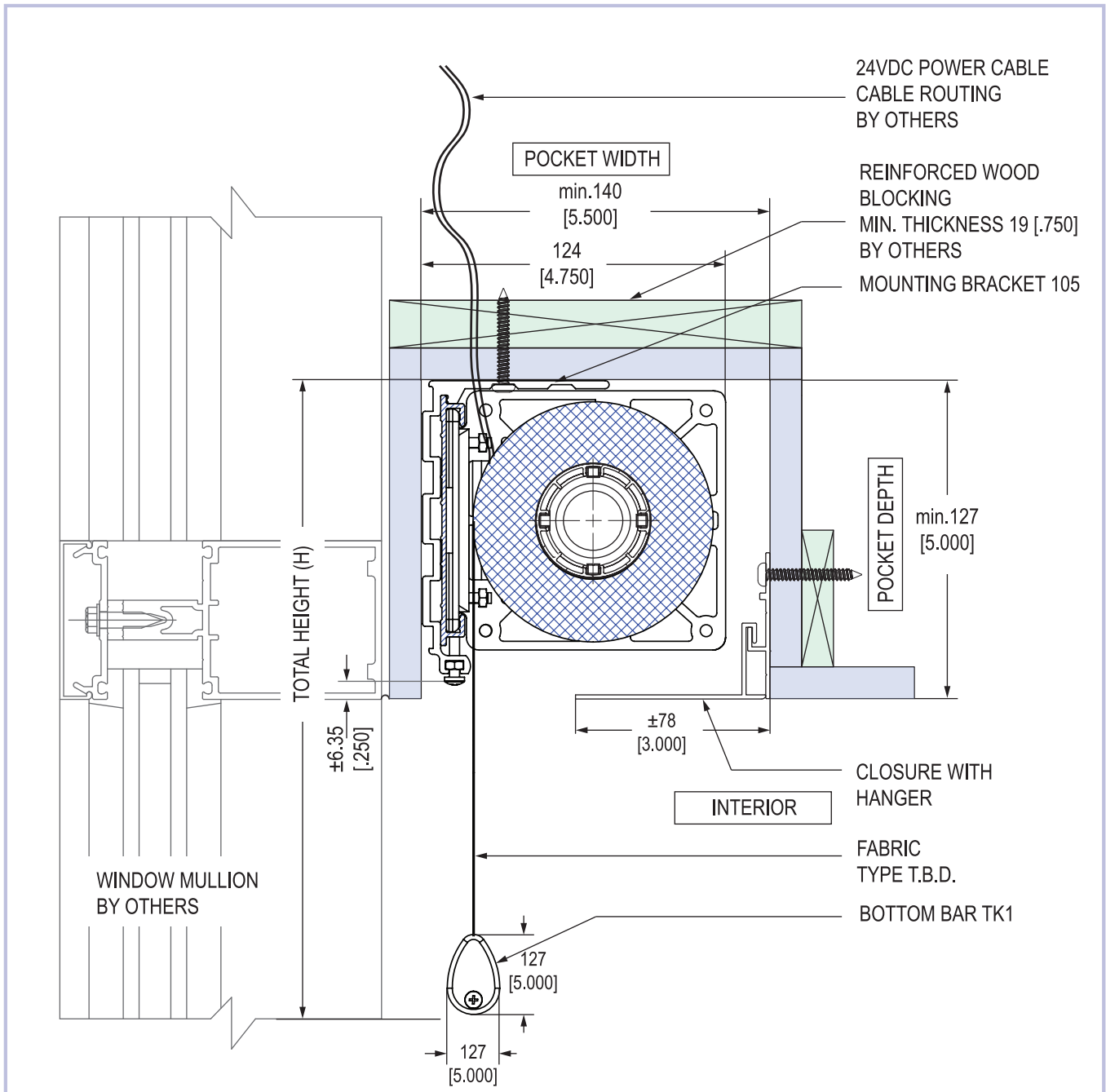
MDL1-EM-85-UQM30-PKT

WITHOUT FASCIA 85



ALTEX[®]
SunProject™
line of products

MODULINE[®] ELEKTRA 105 MOTOR OPERATED 24VDC RECESSED APPLICATION



NOTES:

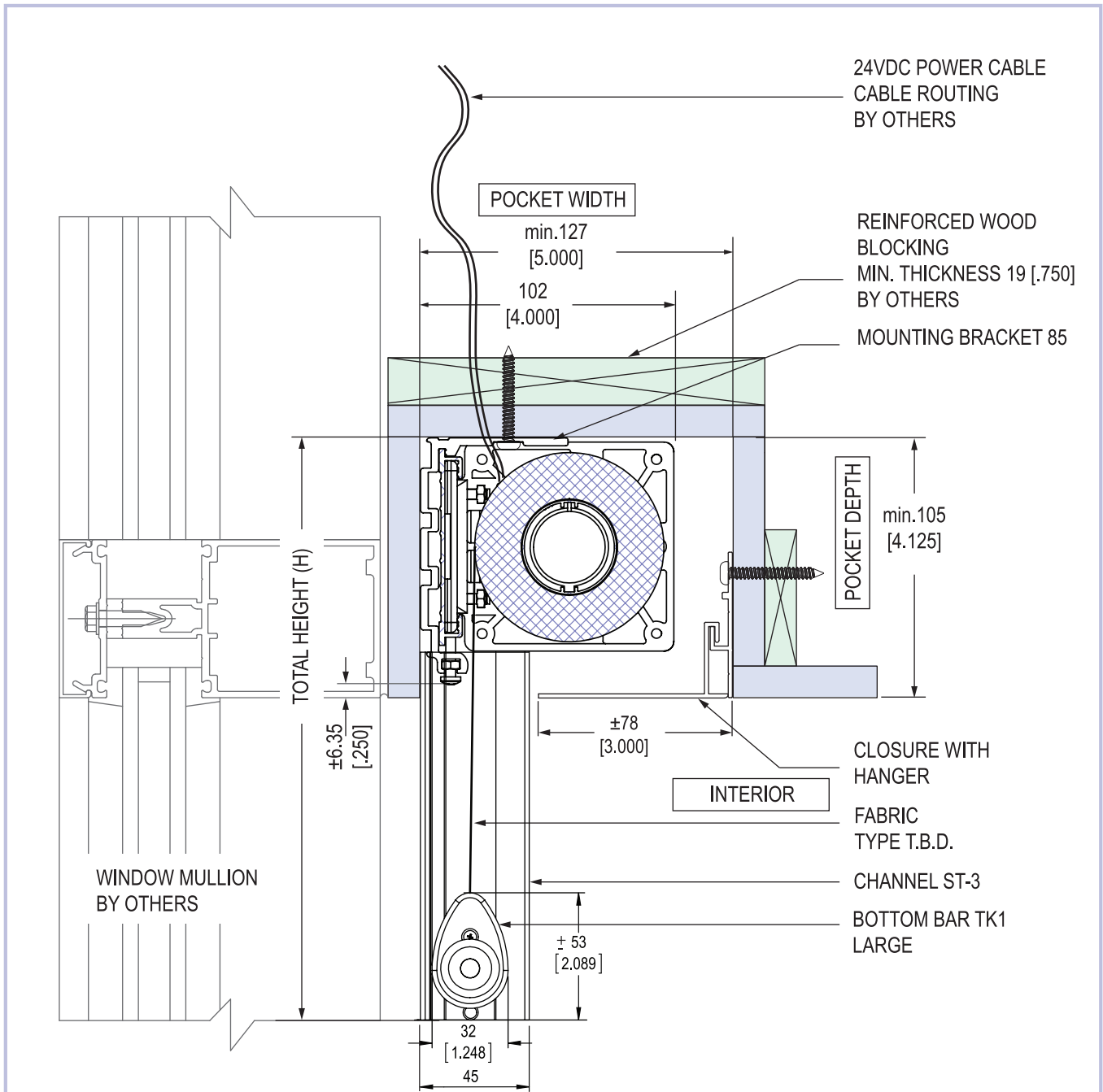
- 1) POCKET SHOWN CONCEPTUAL. POCKET - BY OTHERS.
- 2) DRAWING SHOWN FOR REFERENCE. CONTACT TECH. DEPT. FOR SITE SPECIFIC DRAWINGS
- 3) CABLE ROUTING MUST BE DETERMINED PRIOR SHADE INSTALLATION. COORDINATE WITH TECH. DEPT.
- 4) 24VDC AND DATA WIRING - BY OTHERS

NOTE: For size limitation guidelines, please refer to our Size Limitation Detail Sheets or contact our Technical Department.

MONTREAL T: 800.363.5930 @: info@altex.ca	TORONTO T: 888.836.6980 @: sales@altex.ca	VANCOUVER T: 888.980.9899 @: servicewest@altex.ca
--------------------------------------------------------	--------------------------------------------------------	----------------------------------------------------------------

MDL1-EM-105-UQM30-PKT

WITHOUT FASCIA 105



NOTES:

- 1) POCKET SHOWN CONCEPTUAL. POCKET - BY OTHERS.
- 2) DRAWING SHOWN FOR REFERENCE. CONTACT TECH. DEPT. FOR SITE SPECIFIC DRAWINGS
- 3) CABLE ROUTING MUST BE DETERMINED PRIOR SHADE INSTALLATION. COORDINATE WITH TECH. DEPT.
- 4) 24VDC AND DATA WIRING - BY OTHERS

NOTE: For size limitation guidelines, please refer to our Size Limitation Detail Sheets or contact our Technical Department.

MONTREAL

T: 800.363.5930

@: info@altex.ca

TORONTO

T: 888.836.6980

@: sales@altex.ca

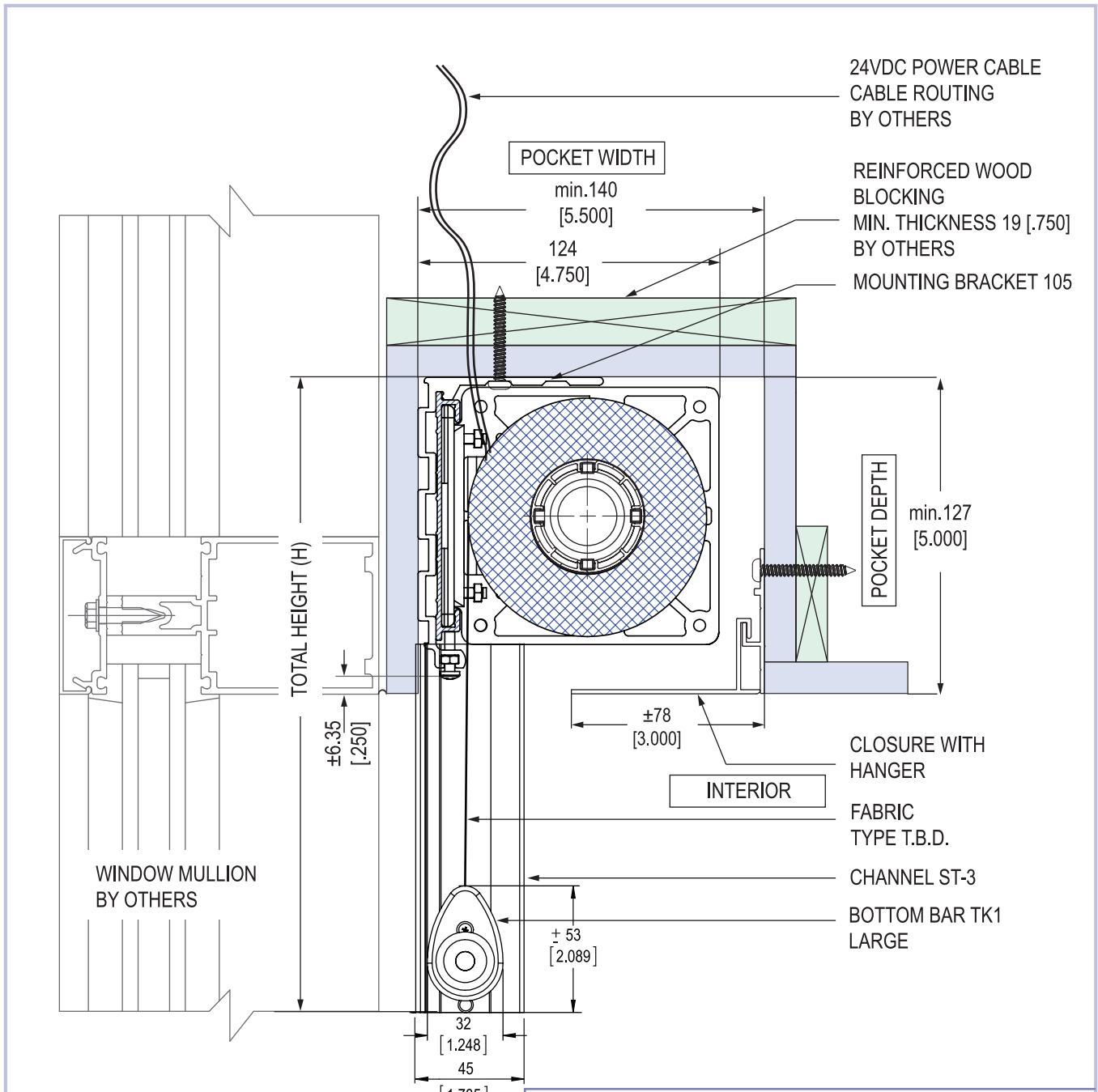
VANCOUVER

T: 888.980.9899

@: servicewest@altex.ca

MDL3-EM-85-UQM30-PKT

WITHOUT FASCIA 85



NOTES:

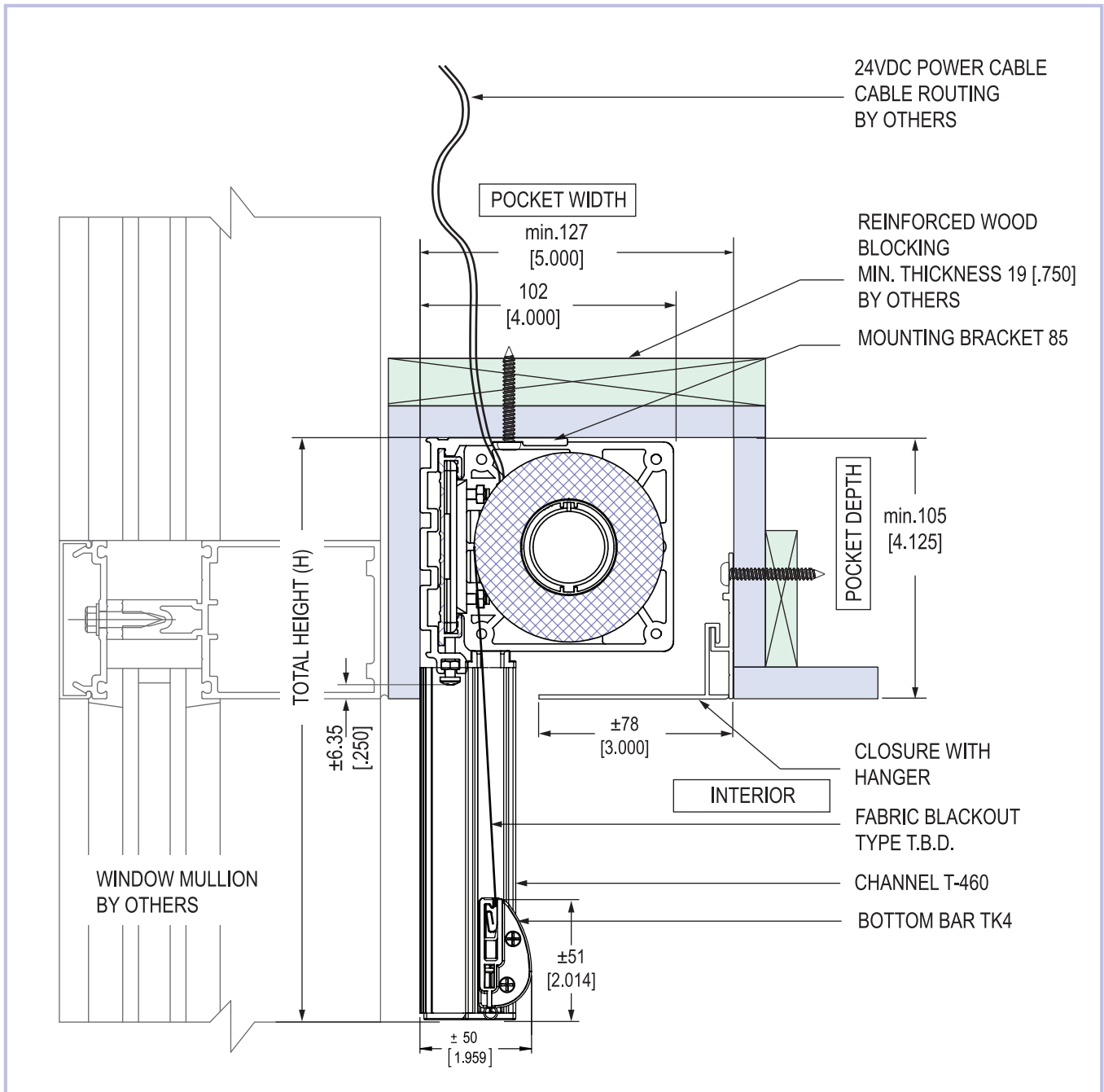
- 1) POCKET SHOWN CONCEPTUAL. POCKET - BY OTHERS.
- 2) DRAWING SHOWN FOR REFERENCE. CONTACT TECH. DEPT. FOR SITE SPECIFIC DRAWINGS
- 3) CABLE ROUTING MUST BE DETERMINED PRIOR SHADE INSTALLATION. COORDINATE WITH TECH. DEPT.
- 4) 24VDC AND DATA WIRING - BY OTHERS

NOTE: For size limitation guidelines, please refer to our Size Limitation Detail Sheets or contact our Technical Department.

MONTREAL T: 800.363.5930 @: info@altex.ca	TORONTO T: 888.836.6980 @: sales@altex.ca	VANCOUVER T: 888.980.9899 @: servicewest@altex.ca
-------------------------------------------------	-------------------------------------------------	---------------------------------------------------------

MDL3-EM-105-UQM30-PKT

WITHOUT FASCIA 105



NOTES:

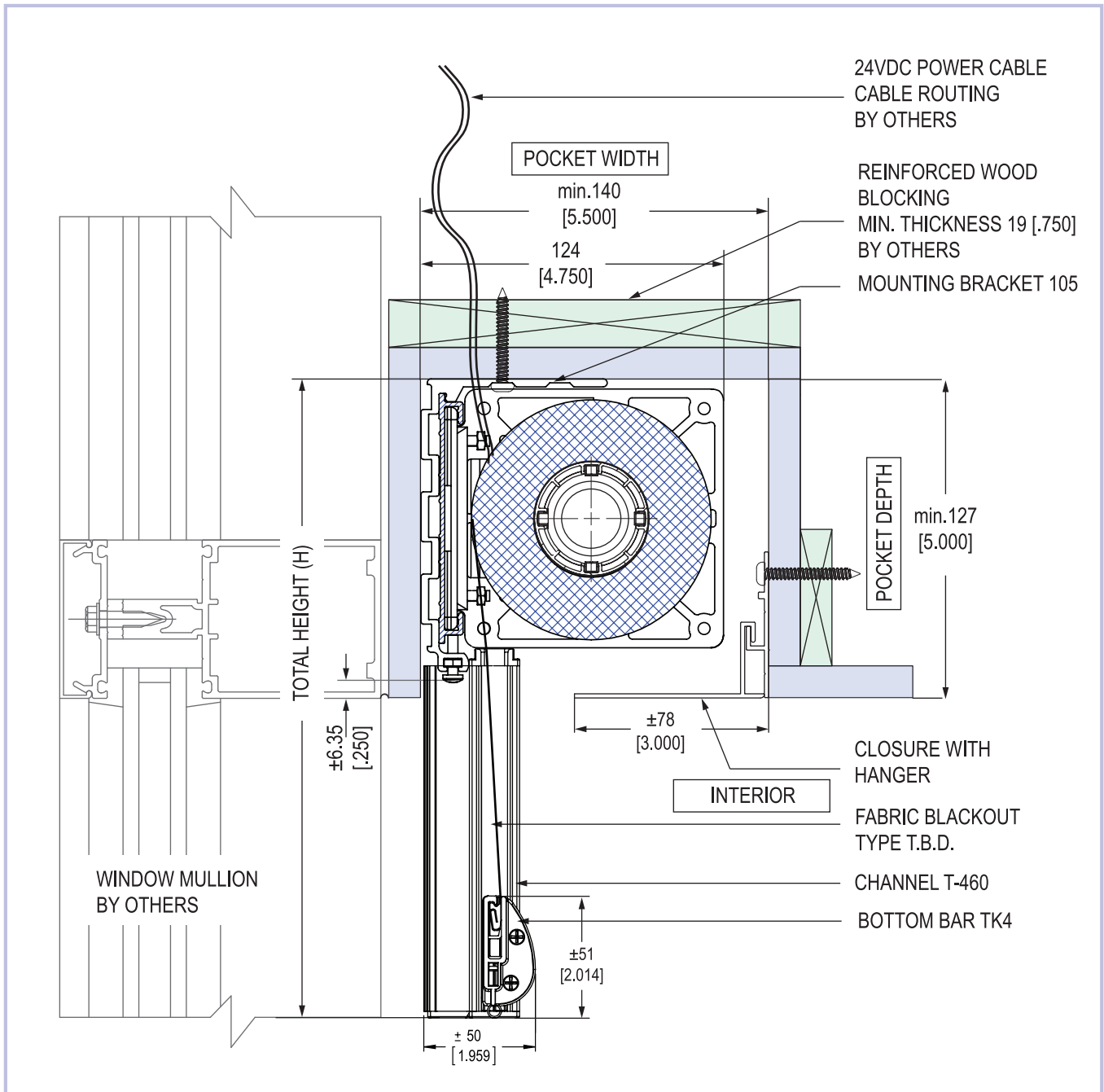
- 1) POCKET SHOWN CONCEPTUAL. POCKET - BY OTHERS.
- 2) DRAWING SHOWN FOR REFERENCE. CONTACT TECH. DEPT. FOR SITE SPECIFIC DRAWINGS
- 3) CABLE ROUTING MUST BE DETERMINED PRIOR SHADE INSTALLATION. COORDINATE WITH TECH. DEPT.
- 4) 24VDC AND DATA WIRING - BY OTHERS

NOTE: For size limitation guidelines, please refer to our Size Limitation Detail Sheets or contact our Technical Department.

MONTREAL T: 800.363.5930 @: info@altex.ca	TORONTO T: 888.836.6980 @: sales@altex.ca	VANCOUVER T: 888.980.9899 @: servicewest@altex.ca
-------------------------------------------------	-------------------------------------------------	---------------------------------------------------------

MDL4-EM-85-UQM30-PKT

WITHOUT FASCIA 85



NOTES:

- 1) POCKET SHOWN CONCEPTUAL. POCKET - BY OTHERS.
- 2) DRAWING SHOWN FOR REFERENCE. CONTACT TECH. DEPT. FOR SITE SPECIFIC DRAWINGS
- 3) CABLE ROUTING MUST BE DETERMINED PRIOR SHADE INSTALLATION. COORDINATE WITH TECH. DEPT.
- 4) 24VDC AND DATA WIRING - BY OTHERS

NOTE: For size limitation guidelines, please refer to our Size Limitation Detail Sheets or contact our Technical Department.

MONTREAL T: 800.363.5930 @: info@altex.ca	TORONTO T: 888.836.6980 @: sales@altex.ca	VANCOUVER T: 888.980.9899 @: servicewest@altex.ca
-------------------------------------------------	-------------------------------------------------	---------------------------------------------------------

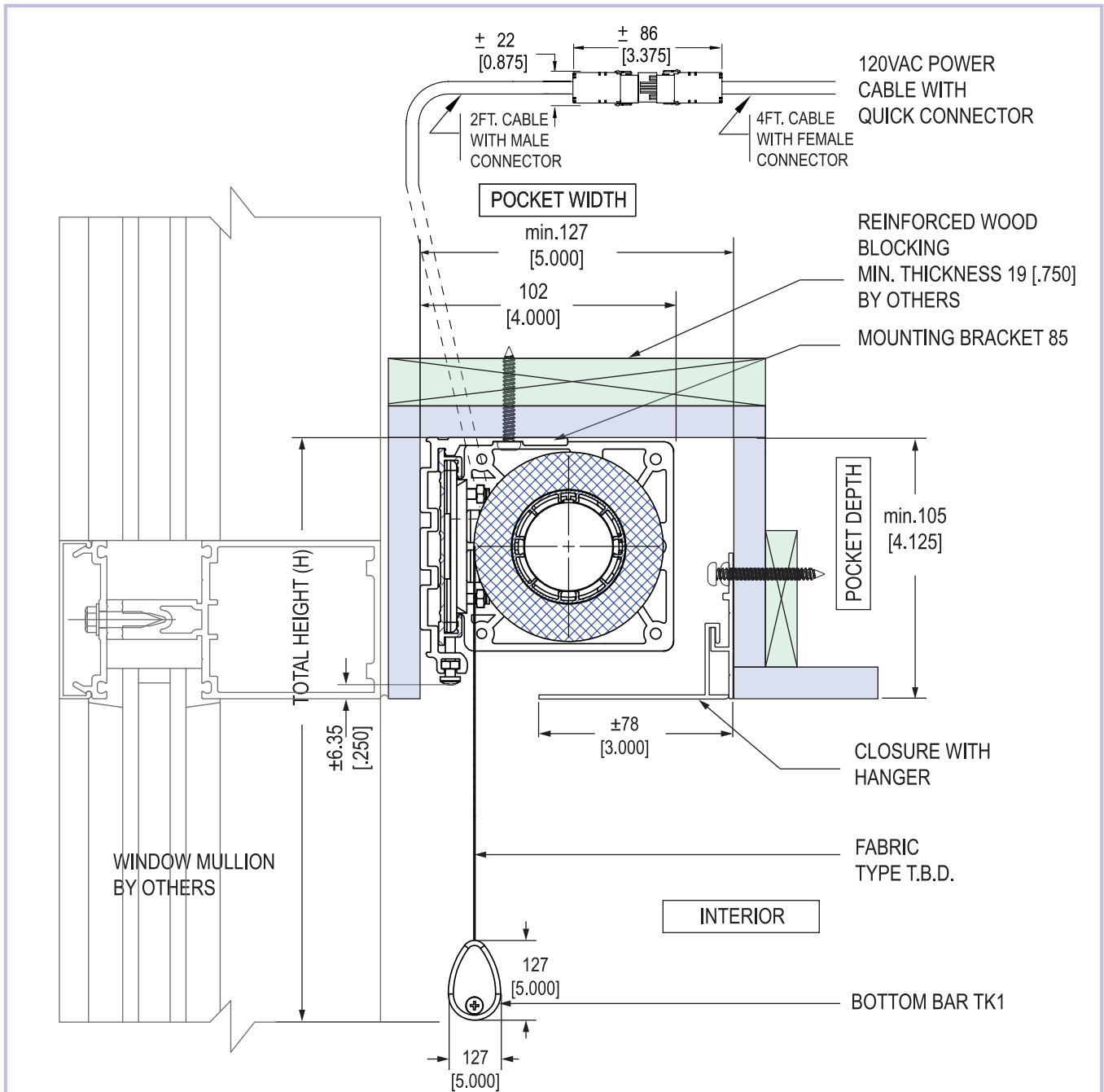
MDL4-EM-105-UQM30-PKT

WITHOUT FASCIA 105



ALTEX[®]
SunProject™
line of products

MODULINE[®] ELEKTRA 85 MOTOR OPERATED 120VAC RECESSED APPLICATION



NOTES:

- 1) POCKET SHOWN CONCEPTUAL. POCKET - BY OTHERS.
- 2) DRAWING SHOWN FOR REFERENCE. CONTACT TECH. DEPT. FOR SITE SPECIFIC DRAWINGS
- 3) CABLE ROUTING MUST BE DETERMINED PRIOR SHADE INSTALLATION. COORDINATE WITH TECH. DEPT.
- 4) 120VAC WIRING - BY OTHERS

NOTE: For size limitation guidelines, please refer to our Size Limitation Detail Sheets or contact our Technical Department.

MONTREAL T: 800.363.5930 @: info@altex.ca	TORONTO T: 888.836.6980 @: sales@altex.ca	VANCOUVER T: 888.980.9899 @: servicewest@altex.ca
-------------------------------------------------	-------------------------------------------------	---------------------------------------------------------

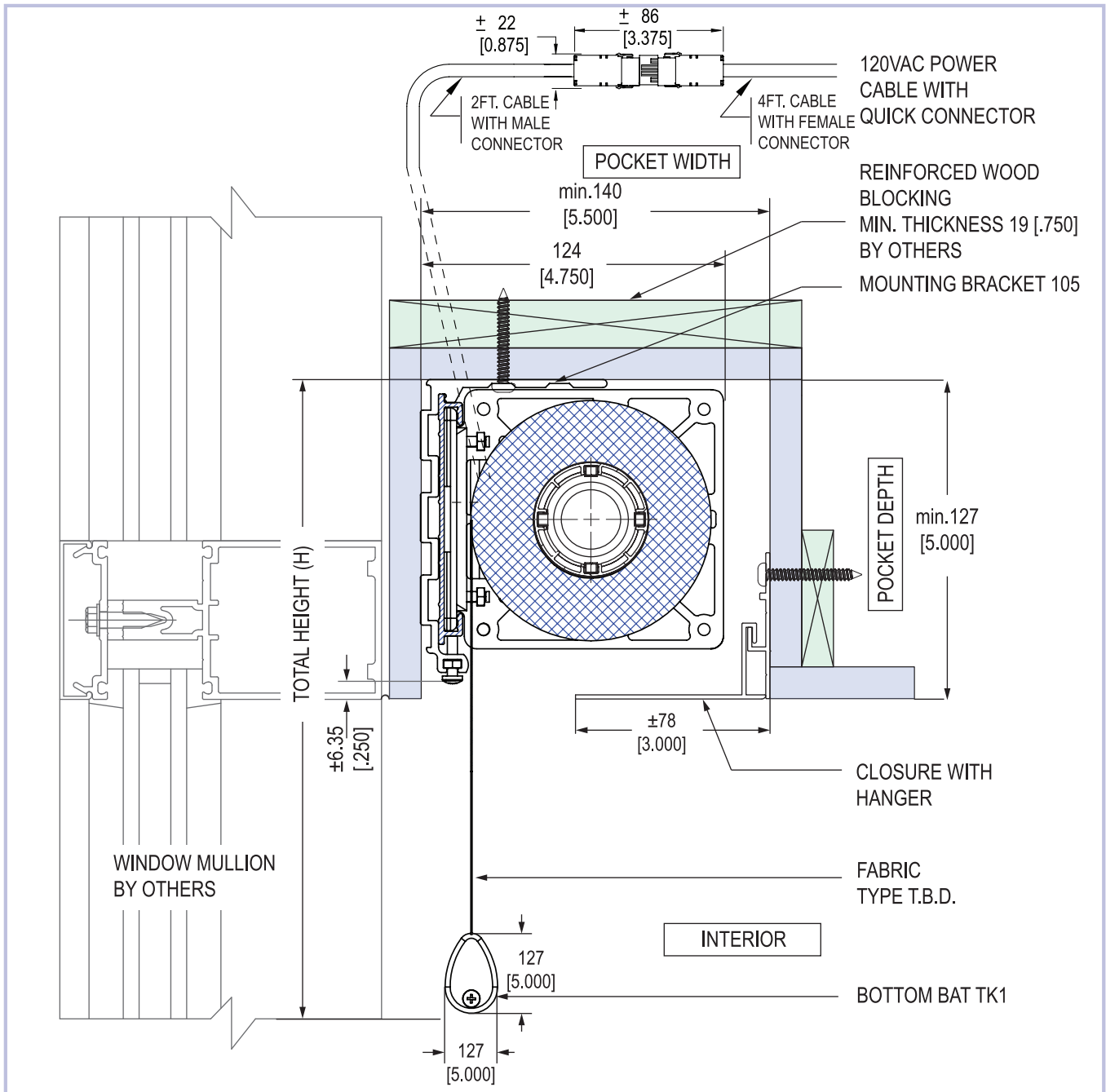
MDL1-EM-85-UQM40-PKT

WITHOUT FASCIA 85



ALTEX[®]
SunProject™
line of products

MODULINE[®] ELEKTRA 105 MOTOR OPERATED 120VAC RECESSED APPLICATION



NOTES:

- 1) POCKET SHOWN CONCEPTUAL. POCKET - BY OTHERS.
- 2) DRAWING SHOWN FOR REFERENCE. CONTACT TECH. DEPT. FOR SITE SPECIFIC DRAWINGS
- 3) CABLE ROUTING MUST BE DETERMINED PRIOR SHADE INSTALLATION. COORDINATE WITH TECH. DEPT.
- 4) 120VAC WIRING - BY OTHERS

NOTE: For size limitation guidelines, please refer to our Size Limitation Detail Sheets or contact our Technical Department.

MONTREAL T: 800.363.5930 @: info@altex.ca	TORONTO T: 888.836.6980 @: sales@altex.ca	VANCOUVER T: 888.980.9899 @: servicewest@altex.ca
-------------------------------------------------	-------------------------------------------------	---------------------------------------------------------

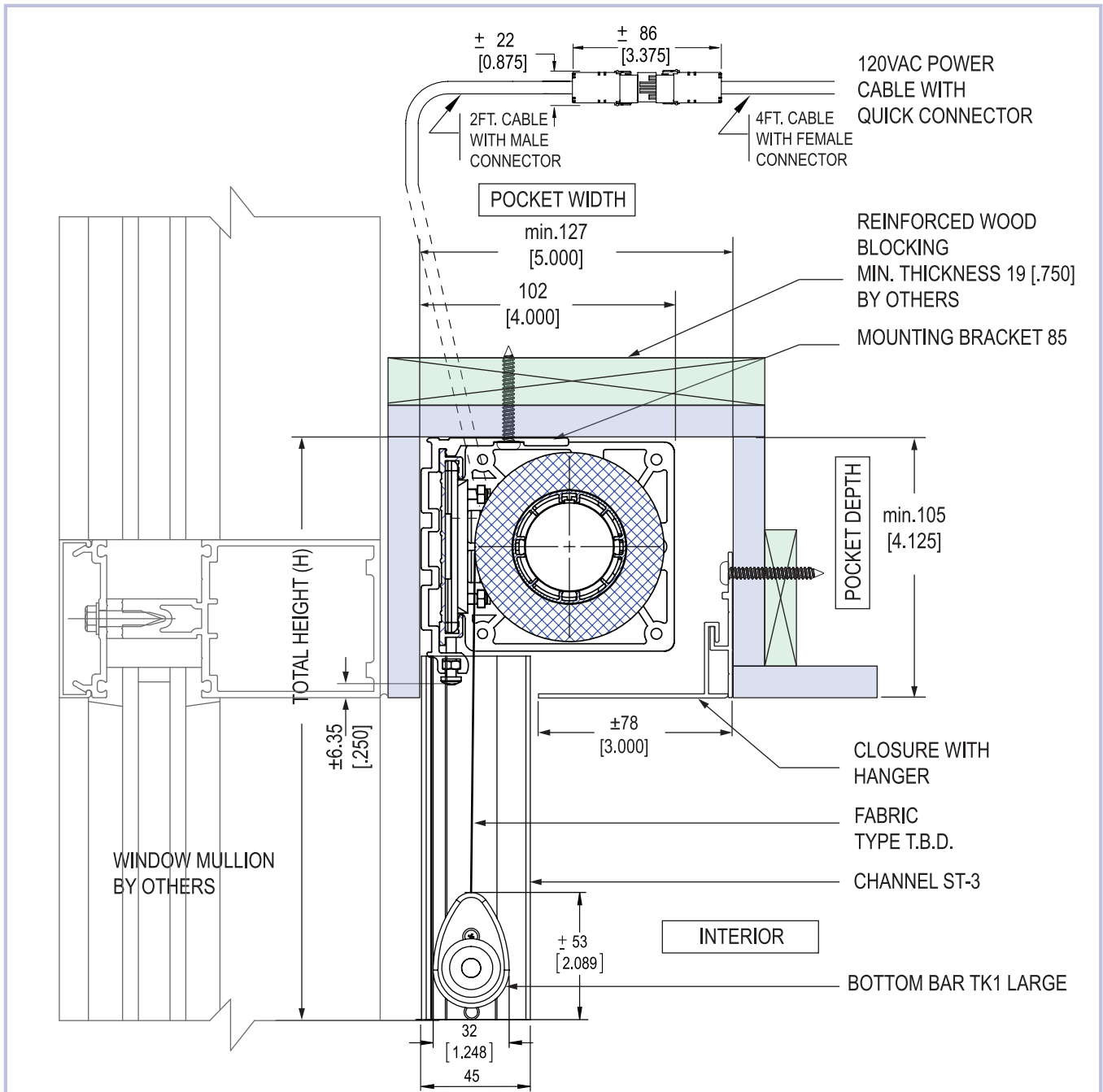
MDL1-EM-105-UQM40-PKT

WITHOUT FASCIA 105



ALTEX[®]
SunProject™
line of products

MODULINE[®] ELEKTRA 85 MOTOR OPERATED 120VAC RECESSED APPLICATION WITH CHANNEL ST-3



NOTES:

- 1) POCKET SHOWN CONCEPTUAL. POCKET - BY OTHERS.
- 2) DRAWING SHOWN FOR REFERENCE. CONTACT TECH. DEPT. FOR SITE SPECIFIC DRAWINGS
- 3) CABLE ROUTING MUST BE DETERMINED PRIOR SHADE INSTALLATION. COORDINATE WITH TECH. DEPT.
- 4) 120VAC WIRING - BY OTHERS

NOTE: For size limitation guidelines, please refer to our Size Limitation Detail Sheets or contact our Technical Department.

MONTREAL

T: 800.363.5930

@: info@altex.ca

TORONTO

T: 888.836.6980

@: sales@altex.ca

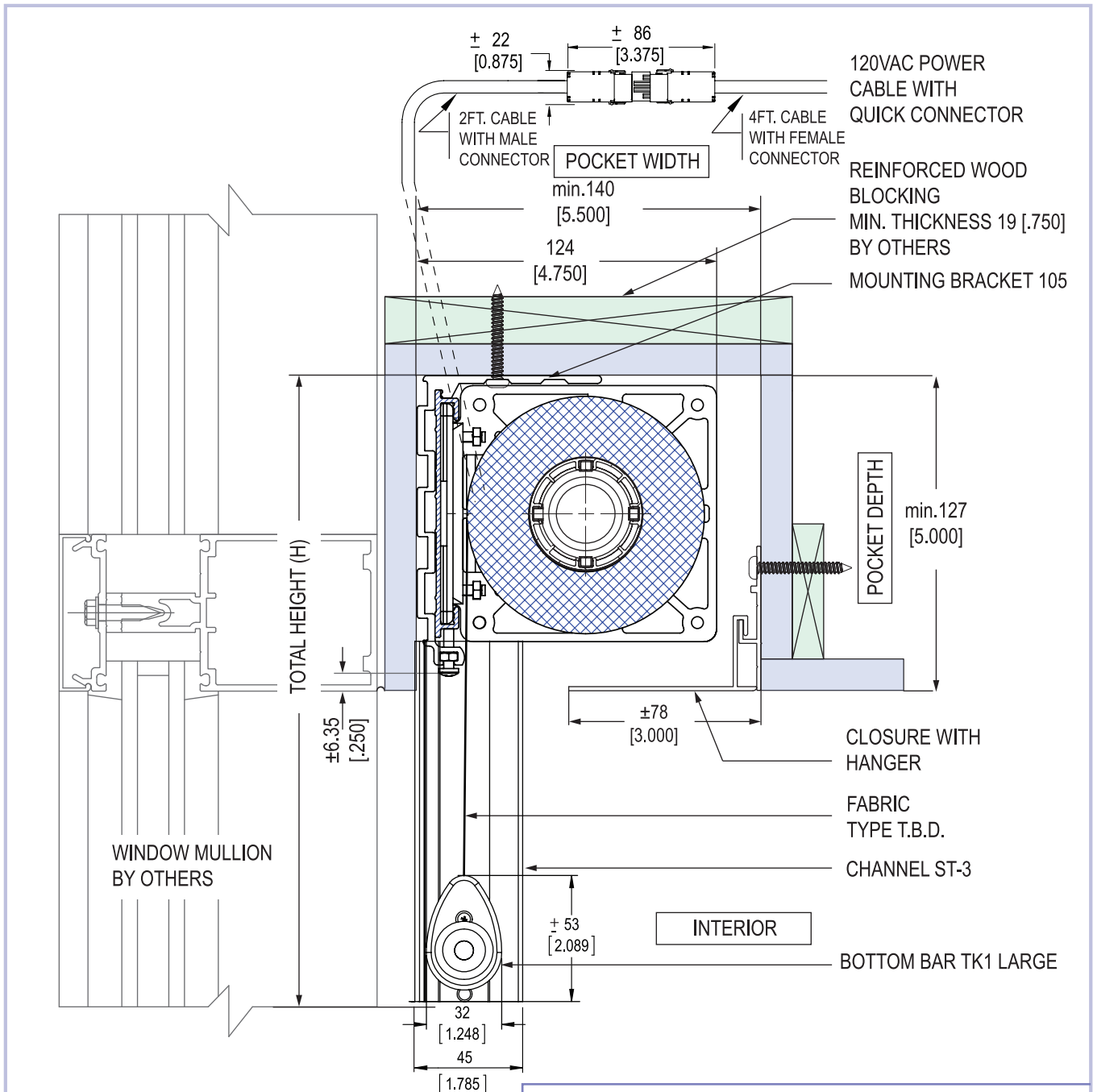
VANCOUVER

T: 888.980.9899

@: servicewest@altex.ca

MDL3-EM-85-UQM40-PKT

WITHOUT FASCIA 85



NOTES:

- 1) POCKET SHOWN CONCEPTUAL. POCKET - BY OTHERS.
- 2) DRAWING SHOWN FOR REFERENCE. CONTACT TECH. DEPT. FOR SITE SPECIFIC DRAWINGS
- 3) CABLE ROUTING MUST BE DETERMINED PRIOR SHADE INSTALLATION. COORDINATE WITH TECH. DEPT.
- 4) 120VAC WIRING - BY OTHERS

NOTE: For size limitation guidelines, please refer to our Size Limitation Detail Sheets or contact our Technical Department.

MONTREAL T: 800.363.5930 @: info@altex.ca	TORONTO T: 888.836.6980 @: sales@altex.ca	VANCOUVER T: 888.980.9899 @: servicewest@altex.ca
-------------------------------------------------	-------------------------------------------------	---------------------------------------------------------

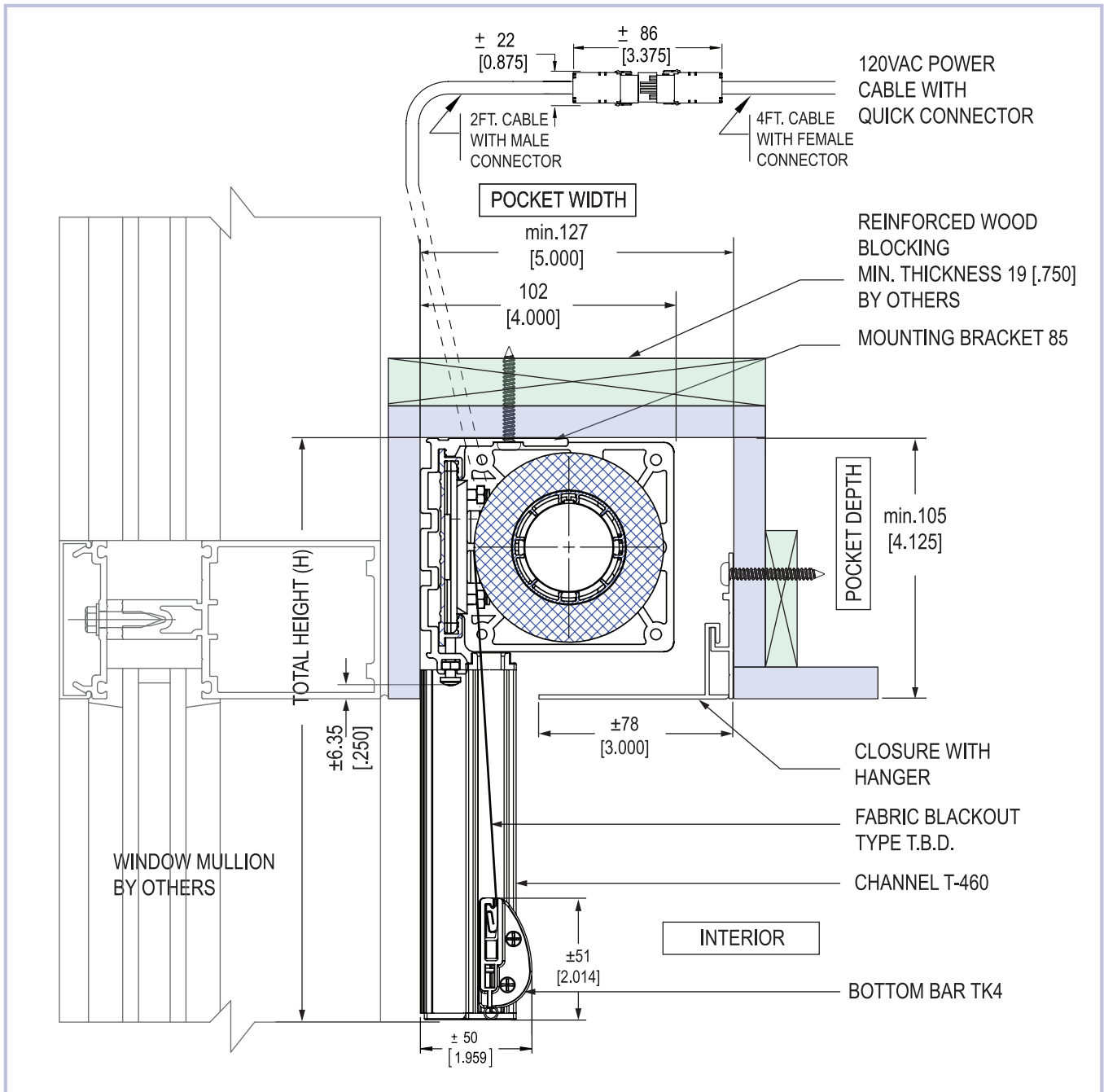
MDL3-EM-105-UQM40-PKT

WITHOUT FASCIA 105



ALTEX[®]
SunProject™
line of products

MODULINE[®] ELEKTRA 85 MOTOR OPERATED 120VAC RECESSED APPLICATION WITH CHANNEL T-460



NOTES:

- 1) POCKET SHOWN CONCEPTUAL. POCKET - BY OTHERS.
- 2) DRAWING SHOWN FOR REFERENCE. CONTACT TECH. DEPT. FOR SITE SPECIFIC DRAWINGS
- 3) CABLE ROUTING MUST BE DETERMINED PRIOR SHADE INSTALLATION. COORDINATE WITH TECH. DEPT.
- 4) 120VAC WIRING - BY OTHERS

NOTE: For size limitation guidelines, please refer to our Size Limitation Detail Sheets or contact our Technical Department.

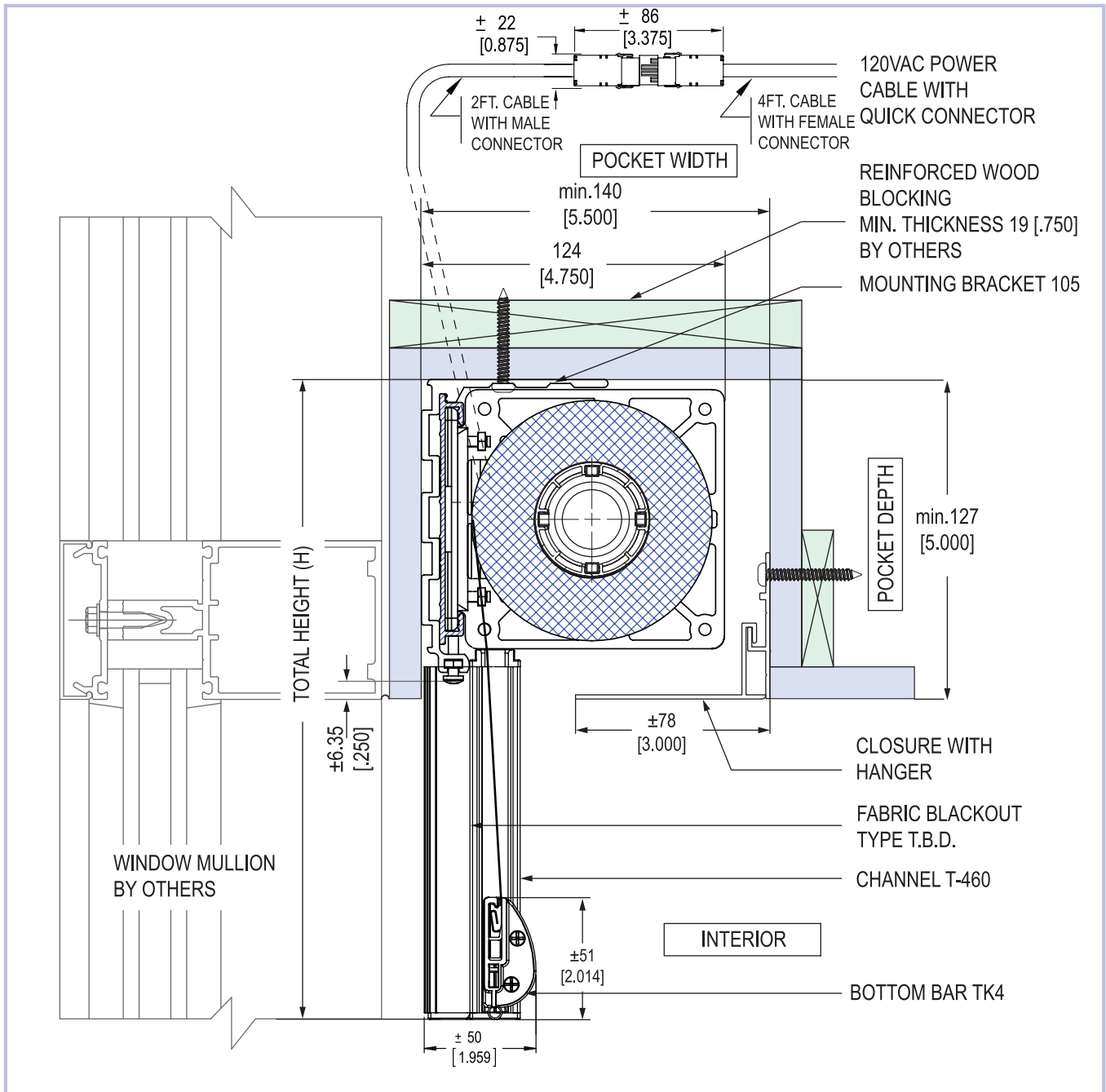
MONTREAL T: 800.363.5930 @: info@altex.ca	TORONTO T: 888.836.6980 @: sales@altex.ca	VANCOUVER T: 888.980.9899 @: servicewest@altex.ca
--------------------------------------------------------	--------------------------------------------------------	----------------------------------------------------------------

MDL4-EM-85-UQM40-PKT

WITHOUT FASCIA 85



**MODULINE[®] ELEKTRA 105 MOTOR OPERATED 120VAC
RECESSED APPLICATION WITH CHANNEL ST-3**



NOTES:

- 1) POCKET SHOWN CONCEPTUAL. POCKET - BY OTHERS.
- 2) DRAWING SHOWN FOR REFERENCE. CONTACT TECH. DEPT. FOR SITE SPECIFIC DRAWINGS
- 3) CABLE ROUTING MUST BE DETERMINED PRIOR SHADE INSTALLATION. COORDINATE WITH TECH. DEPT.
- 4) 120VAC WIRING - BY OTHERS

NOTE: For size limitation guidelines, please refer to our Size Limitation Detail Sheets or contact our Technical Department.

MONTREAL T: 800.363.5930 @: info@altex.ca	TORONTO T: 888.836.6980 @: sales@altex.ca	VANCOUVER T: 888.980.9899 @: servicewest@altex.ca
-------------------------------------------------	-------------------------------------------------	---------------------------------------------------------

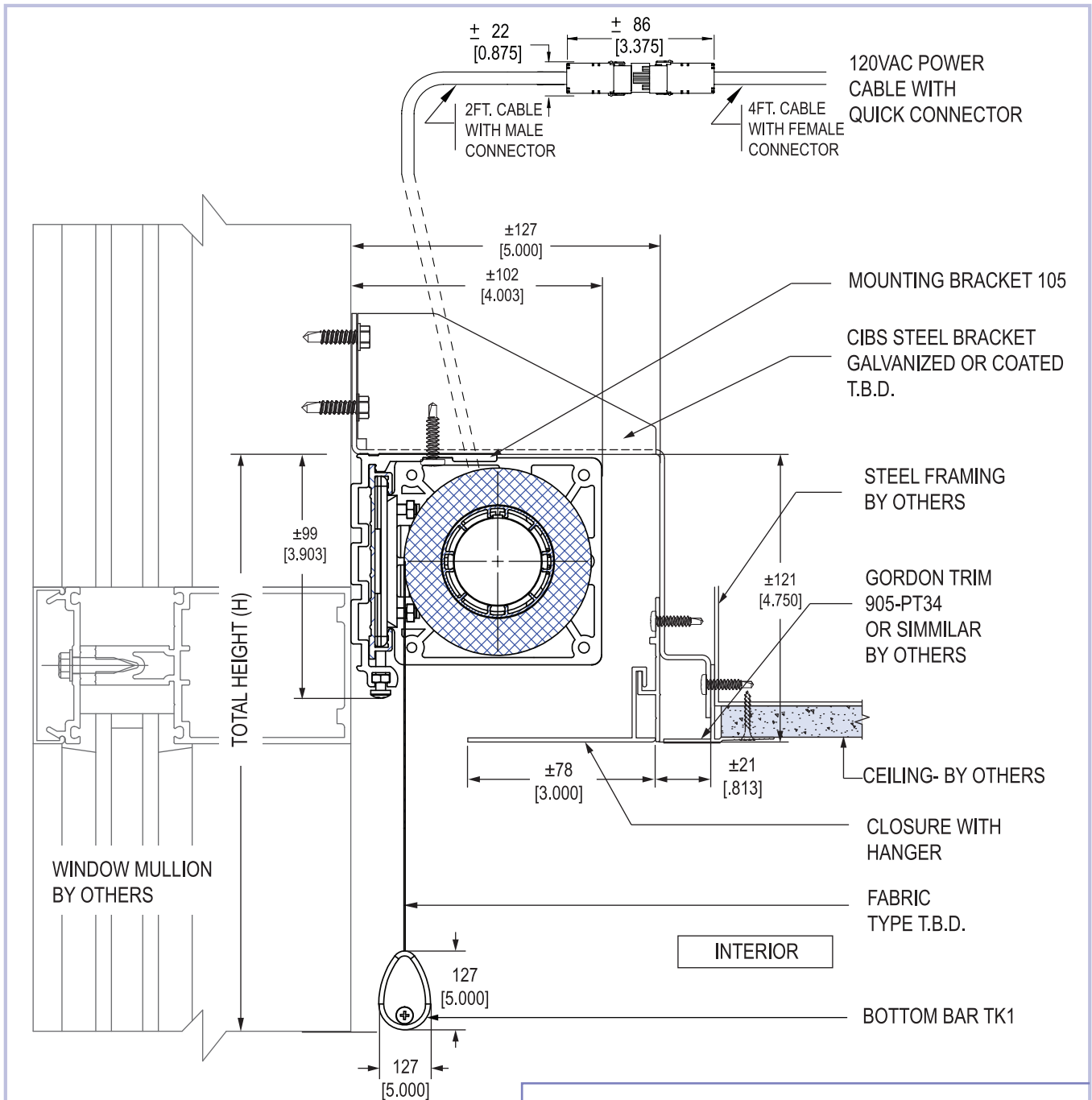
MDL3-EM-105-UQM40-PKT

WITHOUT FASCIA 105



ALTEX[®]
SunProject™
line of products

MODULINE[®] ELEKTRA 85 MOTOR OPERATED 120VAC CIBS BRACKET APPLICATION



NOTES:

- 1) CEILING AND FRAMING SHOWN CONCEPTUAL - BY OTHERS.
- 2) DRAWING SHOWN FOR REFERENCE. CONTACT TECH. DEPT. FOR SITE SPECIFIC DRAWINGS
- 3) CABLE ROUTING MUST BE DETERMINED PRIOR SHADE INSTALLATION. COORDINATE WITH TECH. DEPT.
- 4) 120VAC POWER WIRING BY OTHERS

NOTE: For size limitation guidelines, please refer to our Size Limitation Detail Sheets or contact our Technical Department.

MONTREAL T: 800.363.5930 @: info@altex.ca	TORONTO T: 888.836.6980 @: sales@altex.ca	VANCOUVER T: 888.980.9899 @: servicewest@altex.ca
--------------------------------------------------------	--------------------------------------------------------	----------------------------------------------------------------

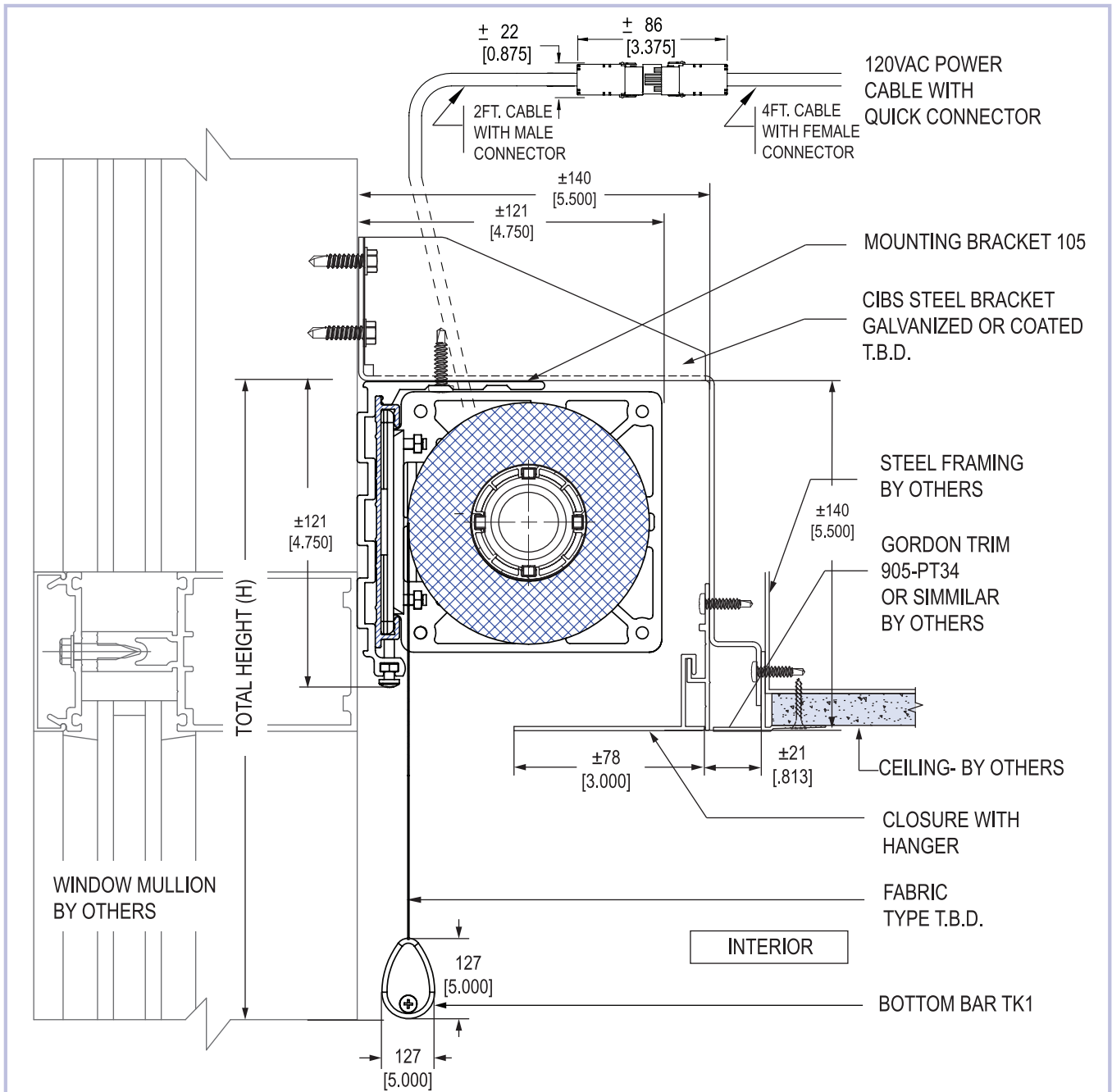
MDL1-EM-85-UQM40-CIBS

WITHOUT FASCIA 85



ALTEX[®]
SunProject™
line of products

MODULINE[®] ELEKTRA 105 MOTOR OPERATED 120VAC CIBS BRACKET APPLICATION



NOTES:

- 1) CEILING AND FRAMING SHOWN CONCEPTUAL - BY OTHERS.
- 2) DRAWING SHOWN FOR REFERENCE. CONTACT TECH. DEPT. FOR SITE SPECIFIC DRAWINGS
- 3) CABLE ROUTING MUST BE DETERMINED PRIOR SHADE INSTALLATION. COORDINATE WITH TECH. DEPT.
- 4) 120VAC POWER WIRING BY OTHERS

NOTE: For size limitation guidelines, please refer to our Size Limitation Detail Sheets or contact our Technical Department.

MONTREAL	TORONTO	VANCOUVER
T: 800.363.5930	T: 888.836.6980	T: 888.980.9899
@: info@altex.ca	@: sales@altex.ca	@: servicewest@altex.ca

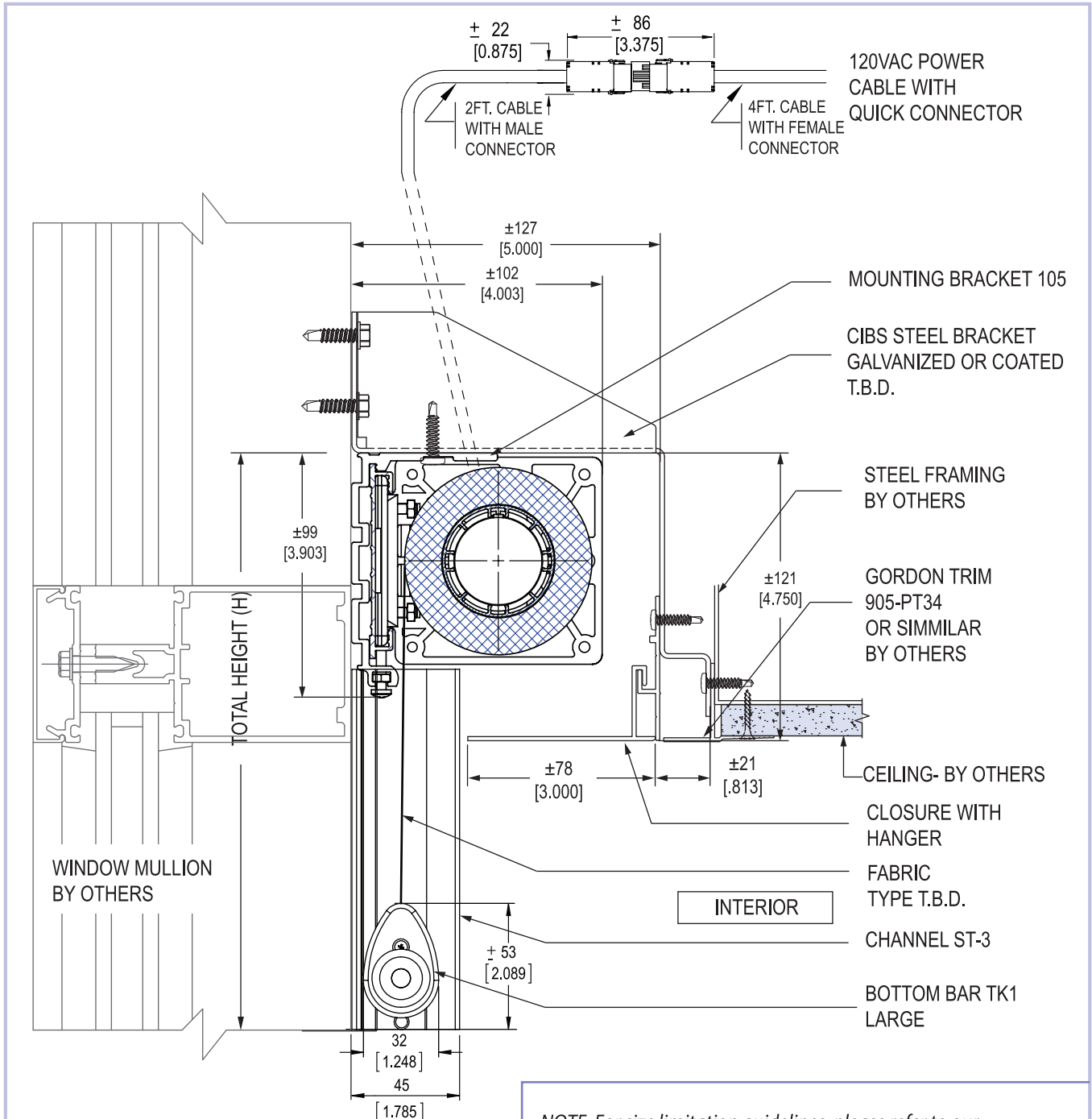
MDL1-EM-105-UQM40-CIBS

WITHOUT FASCIA 105



ALTEX[®]
SunProject™
line of products

MODULINE[®] ELEKTRA 85 MOTOR OPERATED 120VAC CIBS BRACKET APPLICATION WITH ST-3 CHANNEL



NOTES:

- 1) CEILING AND FRAMING SHOWN CONCEPTUAL - BY OTHERS.
- 2) DRAWING SHOWN FOR REFERENCE. CONTACT TECH. DEPT. FOR SITE SPECIFIC DRAWINGS
- 3) CABLE ROUTING MUST BE DETERMINED PRIOR SHADE INSTALLATION. COORDINATE WITH TECH. DEPT.
- 4) 120VAC POWER WIRING BY OTHERS

NOTE: For size limitation guidelines, please refer to our Size Limitation Detail Sheets or contact our Technical Department.

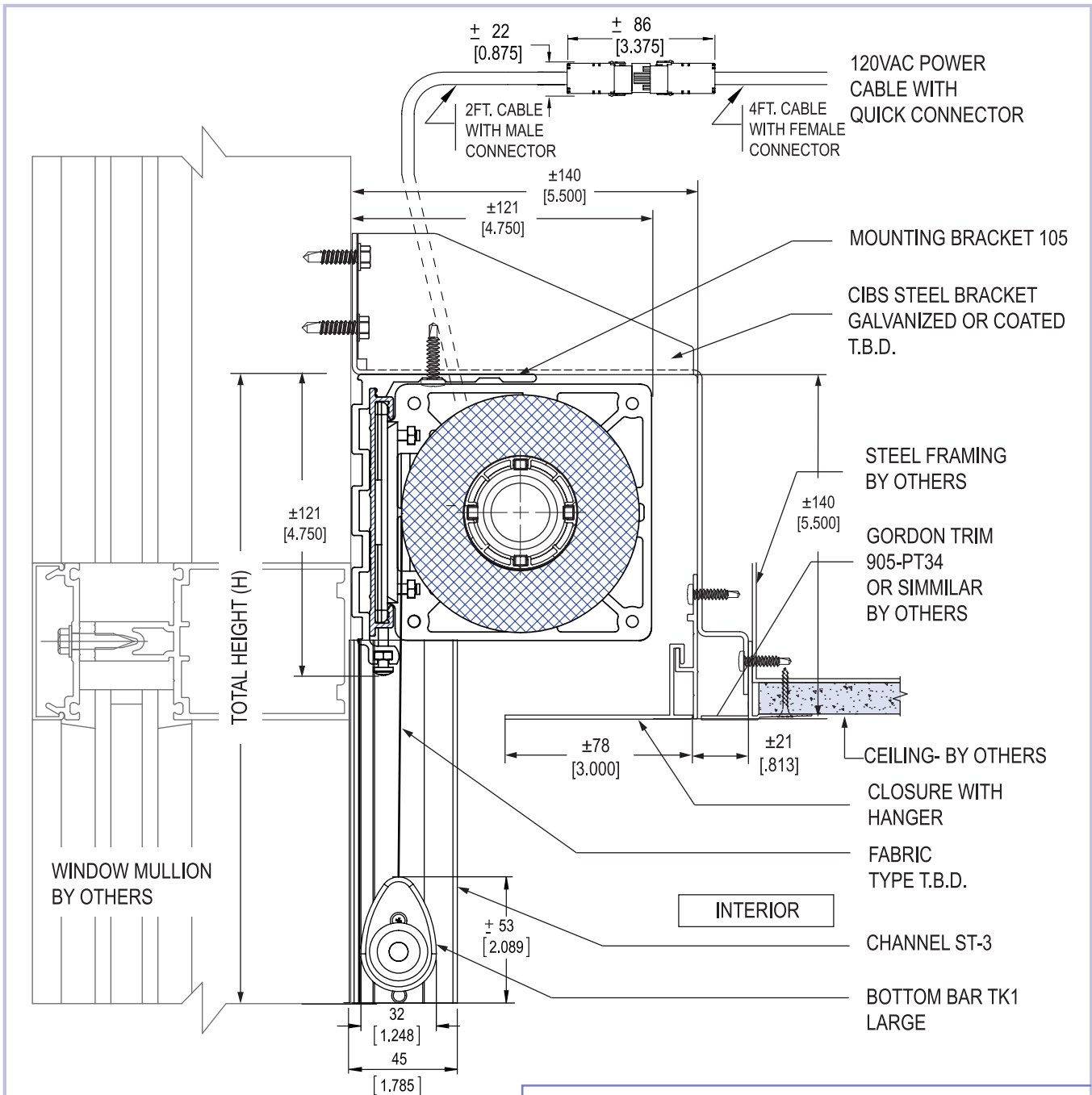
MONTREAL T: 800.363.5930 @: info@altex.ca	TORONTO T: 888.836.6980 @: sales@altex.ca	VANCOUVER T: 888.980.9899 @: servicewest@altex.ca
-------------------------------------------------	-------------------------------------------------	---------------------------------------------------------

MDL3-EM-85-UQM40-CIBS

WITHOUT FASCIA 85



**MODULINE[®] ELEKTRA 105 MOTOR OPERATED 120VAC
CIBS BRACKET APPLICATION WITH ST-3 CHANNEL**



NOTES:

- 1) CEILING AND FRAMING SHOWN CONCEPTUAL - BY OTHERS.
- 2) DRAWING SHOWN FOR REFERENCE. CONTACT TECH. DEPT. FOR SITE SPECIFIC DRAWINGS
- 3) CABLE ROUTING MUST BE DETERMINED PRIOR SHADE INSTALLATION. COORDINATE WITH TECH. DEPT.
- 4) 120VAC POWER WIRING BY OTHERS

NOTE: For size limitation guidelines, please refer to our Size Limitation Detail Sheets or contact our Technical Department.

MONTREAL

T: 800.363.5930

@: info@altex.ca

TORONTO

T: 888.836.6980

@: sales@altex.ca

VANCOUVER

T: 888.980.9899

@: servicewest@altex.ca

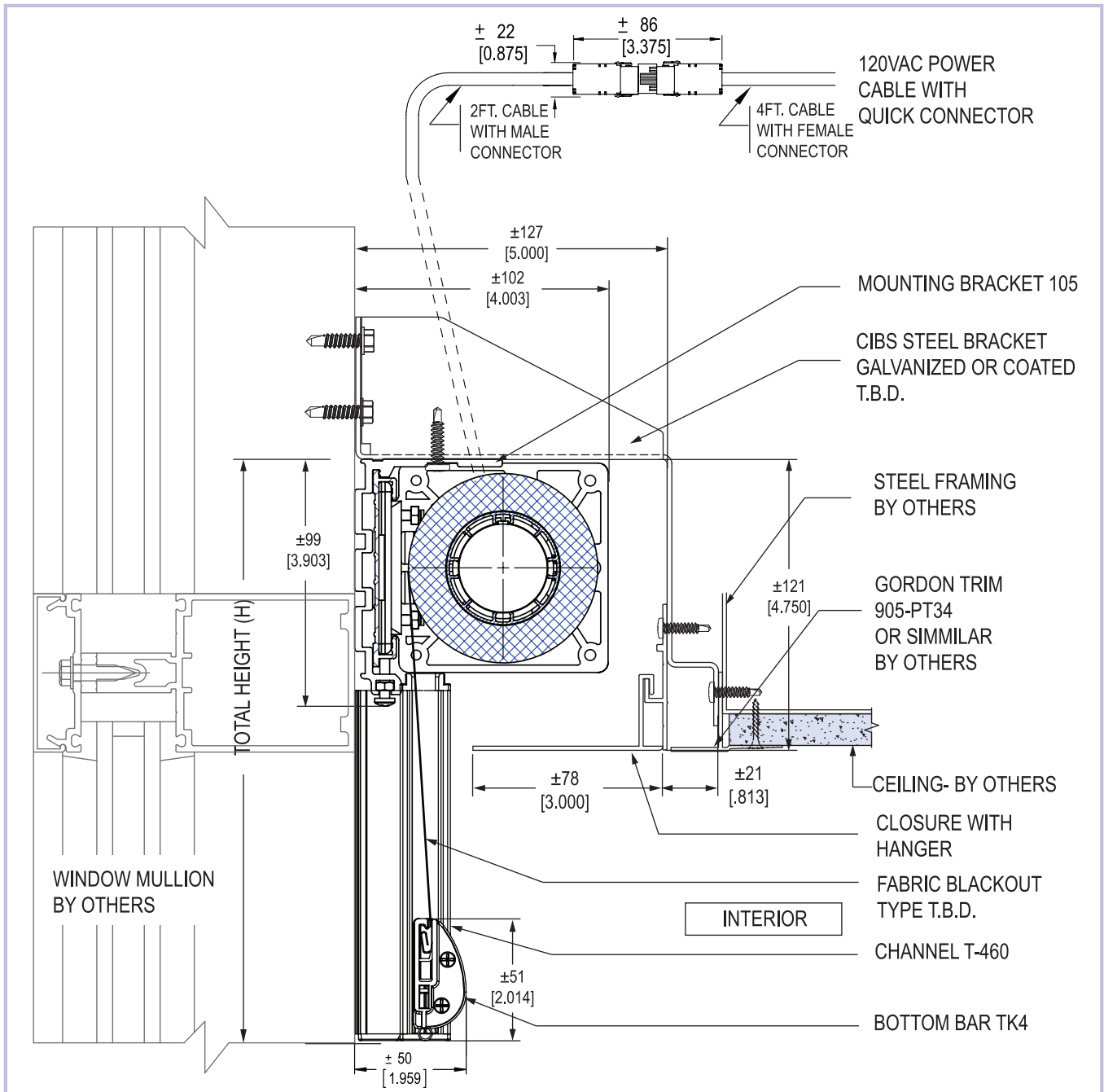
MDL3-EM-105-UQM40-CIBS

WITHOUT FASCIA 105



ALTEX[®]
SunProject™
line of products

MODULINE[®] ELEKTRA 85 MOTOR OPERATED 120VAC CIBS BRACKET APPLICATION WITH T-460 CHANNEL



NOTES:

- 1) CEILING AND FRAMING SHOWN CONCEPTUAL - BY OTHERS.
- 2) DRAWING SHOWN FOR REFERENCE. CONTACT TECH. DEPT. FOR SITE SPECIFIC DRAWINGS
- 3) CABLE ROUTING MUST BE DETERMINED PRIOR SHADE INSTALLATION. COORDINATE WITH TECH. DEPT.
- 4) 120VAC POWER WIRING BY OTHERS

NOTE: For size limitation guidelines, please refer to our Size Limitation Detail Sheets or contact our Technical Department.

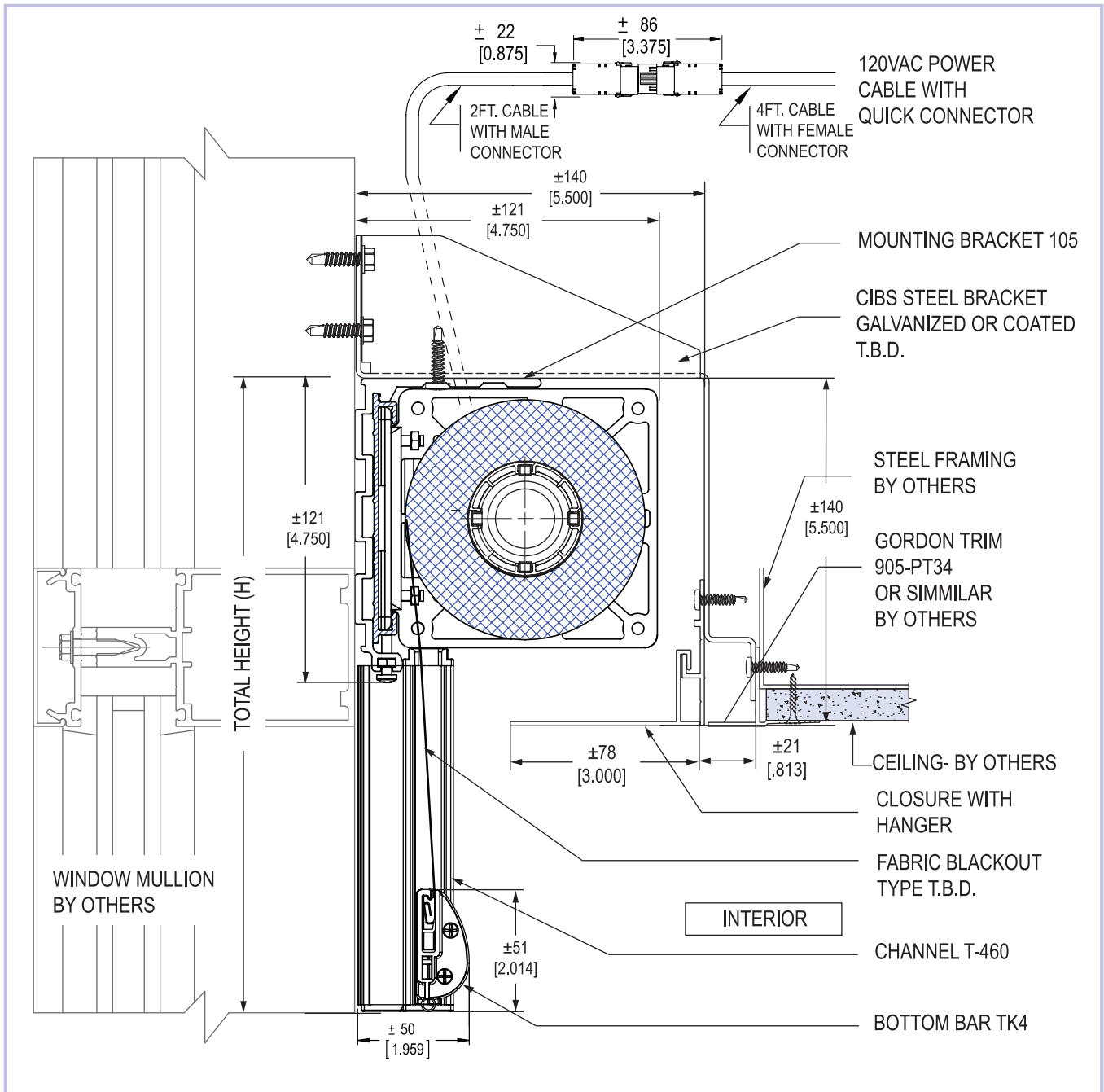
MONTREAL T: 800.363.5930 @: info@altex.ca	TORONTO T: 888.836.6980 @: sales@altex.ca	VANCOUVER T: 888.980.9899 @: servicewest@altex.ca
--------------------------------------------------------	--------------------------------------------------------	----------------------------------------------------------------

MDL4-EM-85-UQM40-CIBS

WITHOUT FASCIA 85



**MODULINE[®] ELEKTRA 105 MOTOR OPERATED 120VAC
CIBS BRACKET APPLICATION WITH T-460 CHANNEL**



NOTES:

- 1) CEILING AND FRAMING SHOWN CONCEPTUAL - BY OTHERS.
- 2) DRAWING SHOWN FOR REFERENCE. CONTACT TECH. DEPT. FOR SITE SPECIFIC DRAWINGS
- 3) CABLE ROUTING MUST BE DETERMINED PRIOR SHADE INSTALLATION. COORDINATE WITH TECH. DEPT.
- 4) 120VAC POWER WIRING BY OTHERS

NOTE: For size limitation guidelines, please refer to our Size Limitation Detail Sheets or contact our Technical Department.

MONTREAL T: 800.363.5930 @: info@altex.ca	TORONTO T: 888.836.6980 @: sales@altex.ca	VANCOUVER T: 888.980.9899 @: servicewest@altex.ca
-------------------------------------------------	-------------------------------------------------	---------------------------------------------------------

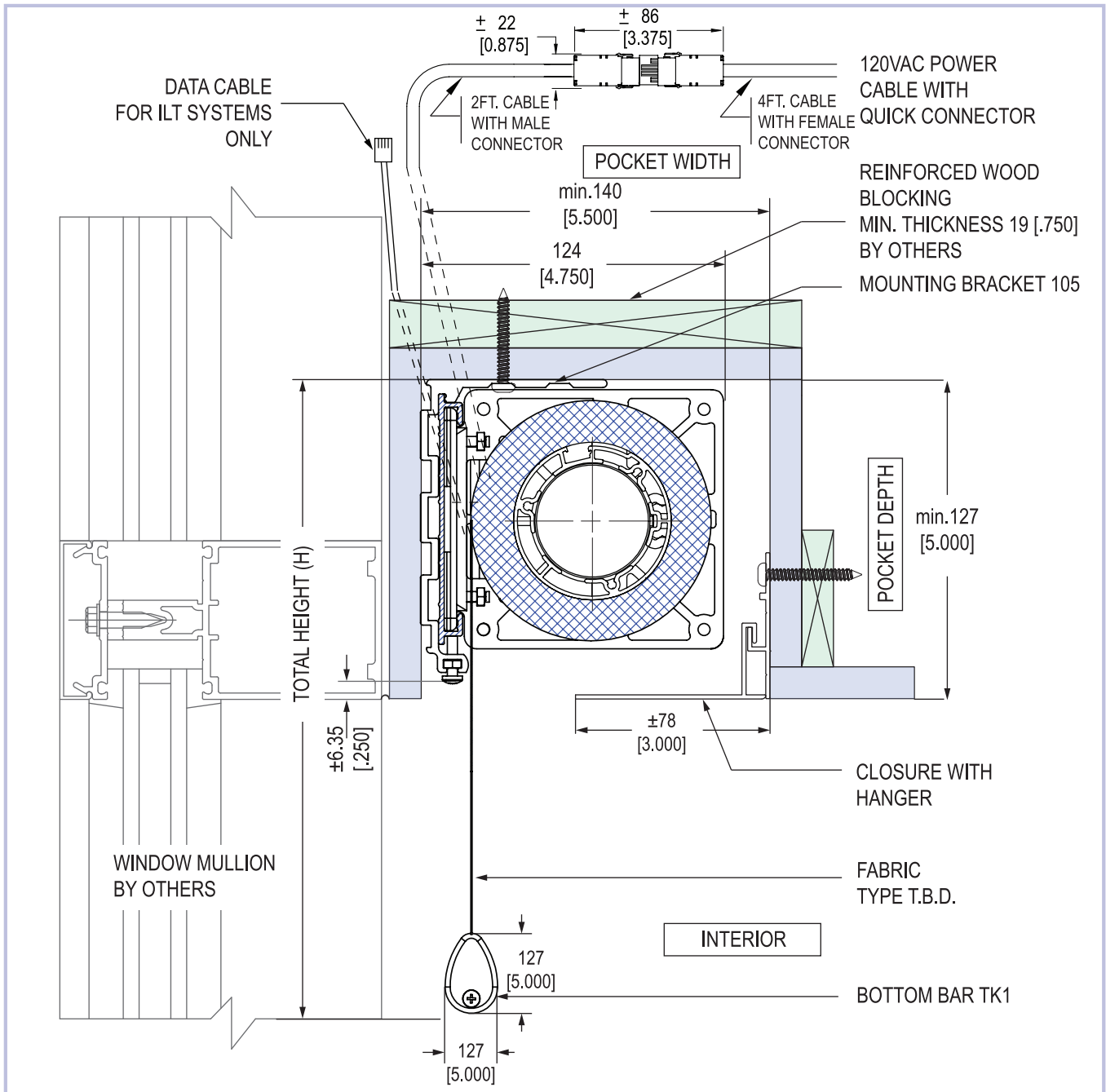
MDL4-EM-105-UQM40-CIBS

WITHOUT FASCIA 105



ALTEX[®]
SunProject™
line of products

MODULINE[®] ELEKTRA 105 MOTOR OPERATED 120VAC RECESSED APPLICATION



NOTES:

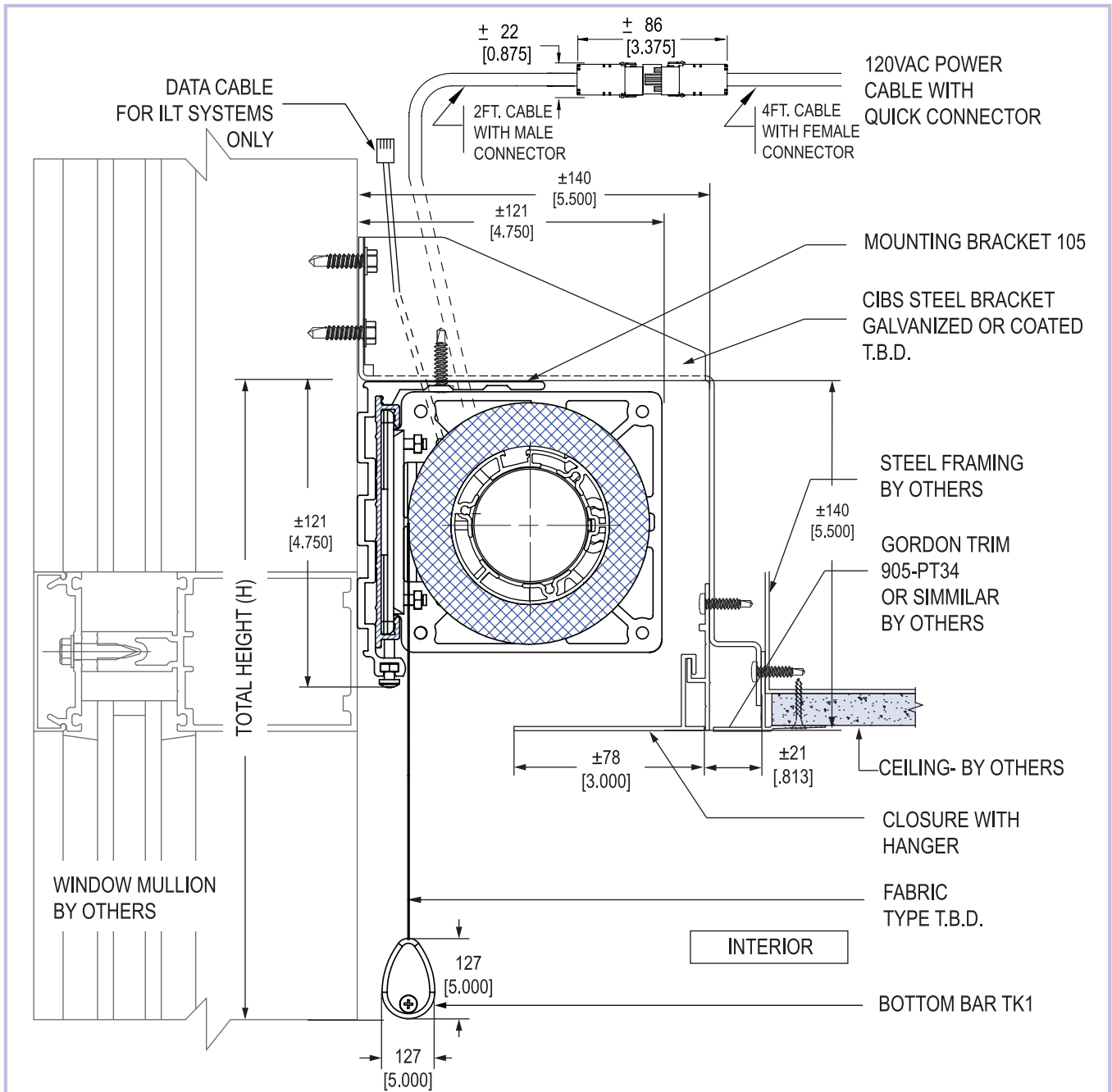
- 1) CEILING AND FRAMING SHOWN CONCEPTUAL - BY OTHERS.
- 2) DRAWING SHOWN FOR REFERENCE. CONTACT TECH. DEPT. FOR SITE SPECIFIC DRAWINGS
- 3) CABLE ROUTING MUST BE DETERMINED PRIOR SHADE INSTALLATION. COORDINATE WITH TECH. DEPT.
- 4) 120VAC POWER AND DATA WIRING BY OTHERS

NOTE: For size limitation guidelines, please refer to our Size Limitation Detail Sheets or contact our Technical Department.

MONTREAL T: 800.363.5930 @: info@altex.ca	TORONTO T: 888.836.6980 @: sales@altex.ca	VANCOUVER T: 888.980.9899 @: servicewest@altex.ca
-------------------------------------------------	-------------------------------------------------	---------------------------------------------------------

MDL1-EM63-105-UQM50/E50-PKT

WITHOUT FASCIA 105



NOTES:

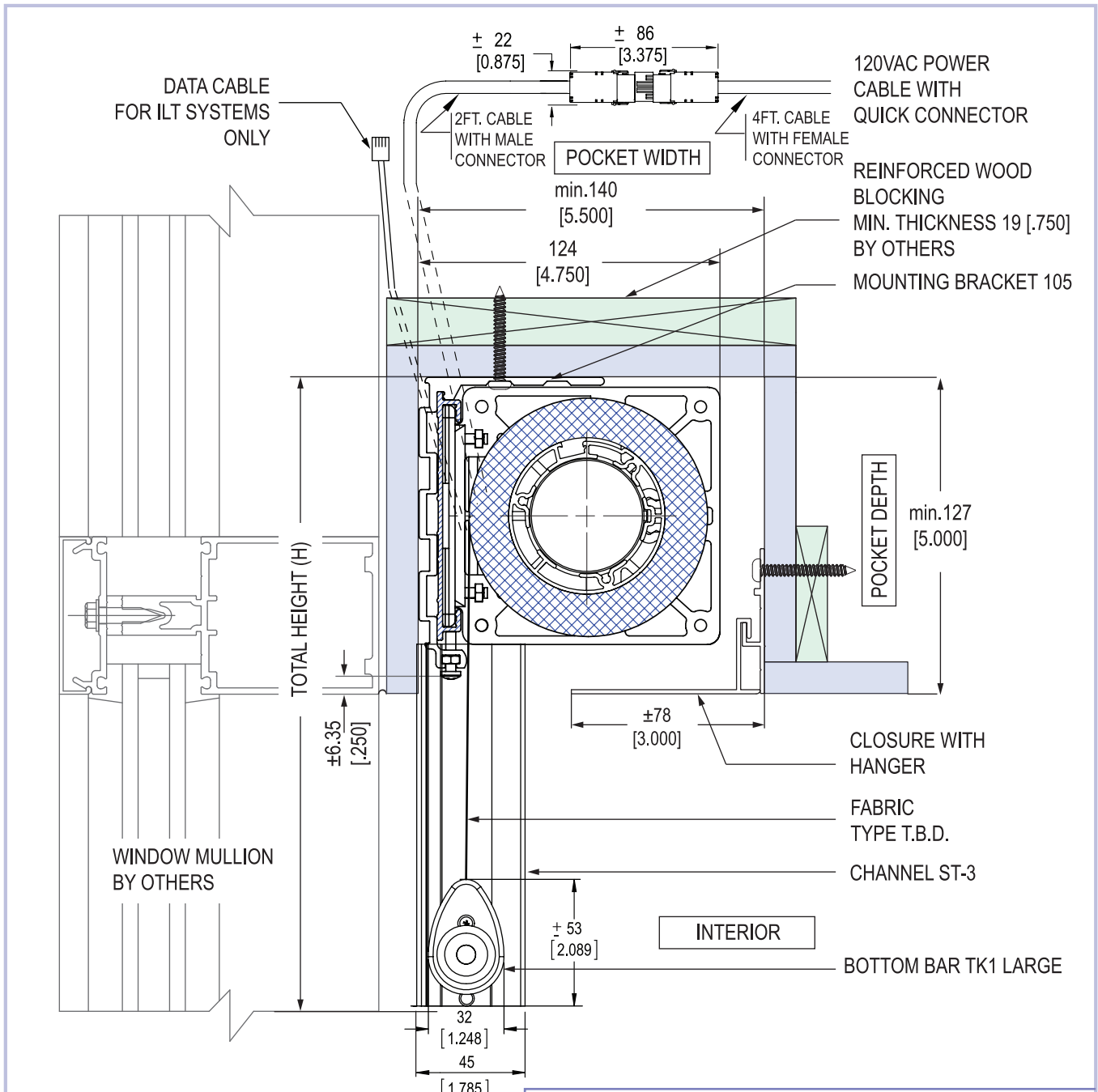
- 1) CEILING AND FRAMING SHOWN CONCEPTUAL - BY OTHERS.
- 2) DRAWING SHOWN FOR REFERENCE. CONTACT TECH. DEPT. FOR SITE SPECIFIC DRAWINGS
- 3) CABLE ROUTING MUST BE DETERMINED PRIOR SHADE INSTALLATION. COORDINATE WITH TECH. DEPT.
- 4) 120VAC POWER AND DATA WIRING BY OTHERS

NOTE: For size limitation guidelines, please refer to our Size Limitation Detail Sheets or contact our Technical Department.

MONTREAL T: 800.363.5930 @: info@altex.ca	TORONTO T: 888.836.6980 @: sales@altex.ca	VANCOUVER T: 888.980.9899 @: servicewest@altex.ca
-------------------------------------------------	-------------------------------------------------	---------------------------------------------------------

MDL1-EM63-105-UQM50/E50-CIBS

WITHOUT FASCIA 105



NOTES:

- 1) CEILING AND FRAMING SHOWN CONCEPTUAL - BY OTHERS.
- 2) DRAWING SHOWN FOR REFERENCE. CONTACT TECH. DEPT. FOR SITE SPECIFIC DRAWINGS
- 3) CABLE ROUTING MUST BE DETERMINED PRIOR SHADE INSTALLATION. COORDINATE WITH TECH. DEPT.
- 4) 120VAC POWER AND DATA WIRING BY OTHERS

NOTE: For size limitation guidelines, please refer to our Size Limitation Detail Sheets or contact our Technical Department.

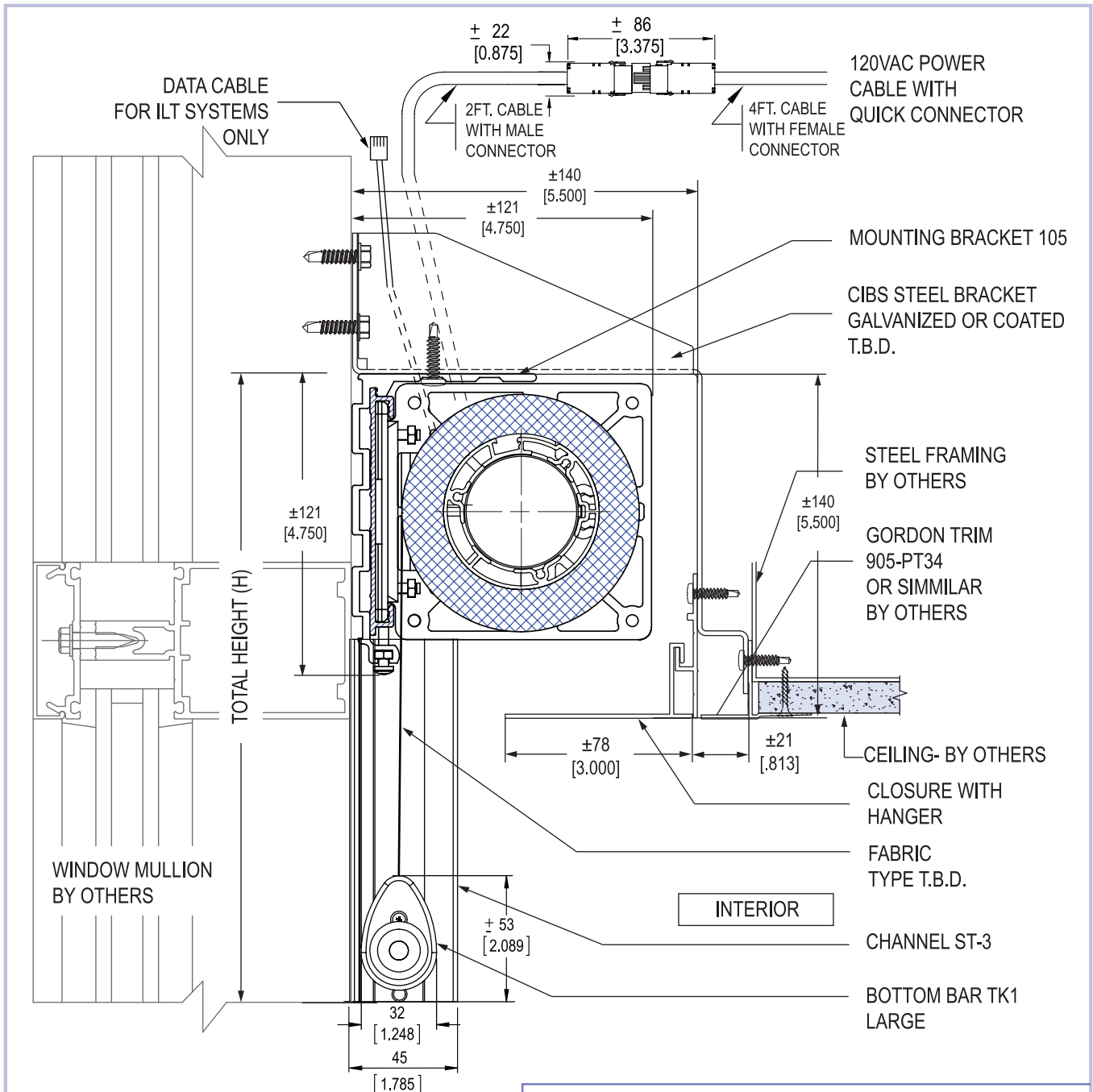
MONTREAL T: 800.363.5930 @: info@altex.ca	TORONTO T: 888.836.6980 @: sales@altex.ca	VANCOUVER T: 888.980.9899 @: servicewest@altex.ca
-------------------------------------------------	-------------------------------------------------	---------------------------------------------------------

MDL3-EM63-105-UQM50/E50-PKT

WITHOUT FASCIA 105



**MODULINE[®] ELEKTRA 105 MOTOR OPERATED 120VAC
CIBS BRACKET APPLICATION WITH ST-3 CHANNEL**



NOTES:

- 1) CEILING AND FRAMING SHOWN CONCEPTUAL - BY OTHERS.
- 2) DRAWING SHOWN FOR REFERENCE. CONTACT TECH. DEPT. FOR SITE SPECIFIC DRAWINGS
- 3) CABLE ROUTING MUST BE DETERMINED PRIOR SHADE INSTALLATION. COORDINATE WITH TECH. DEPT.
- 4) 120VAC POWER AND DATA WIRING BY OTHERS

NOTE: For size limitation guidelines, please refer to our Size Limitation Detail Sheets or contact our Technical Department.

MONTREAL T: 800.363.5930 @: info@altex.ca	TORONTO T: 888.836.6980 @: sales@altex.ca	VANCOUVER T: 888.980.9899 @: servicewest@altex.ca
-------------------------------------------------	-------------------------------------------------	---------------------------------------------------------

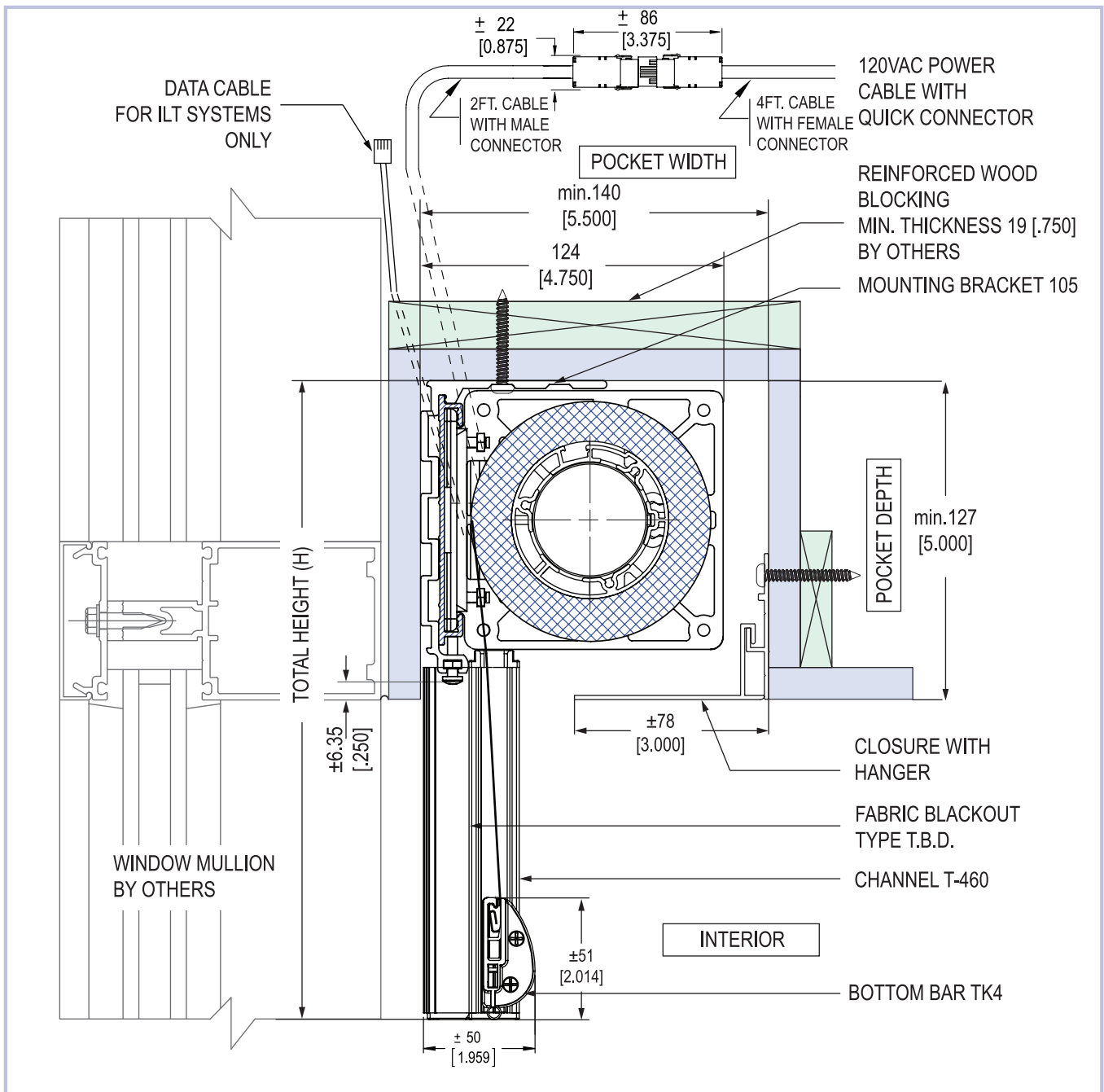
MDL3-EM63-105-UQM50/E50-CIBS

WITHOUT FASCIA 105



ALTEX[®]
SunProject™
line of products

MODULINE[®] ELEKTRA 105 MOTOR OPERATED 120VAC RECESSED APPLICATION WITH CHANNEL ST-3



NOTES:

- 1) CEILING AND FRAMING SHOWN CONCEPTUAL - BY OTHERS.
- 2) DRAWING SHOWN FOR REFERENCE. CONTACT TECH. DEPT. FOR SITE SPECIFIC DRAWINGS
- 3) CABLE ROUTING MUST BE DETERMINED PRIOR SHADE INSTALLATION. COORDINATE WITH TECH. DEPT.
- 4) 120VAC POWER AND DATA WIRING BY OTHERS

NOTE: For size limitation guidelines, please refer to our Size Limitation Detail Sheets or contact our Technical Department.

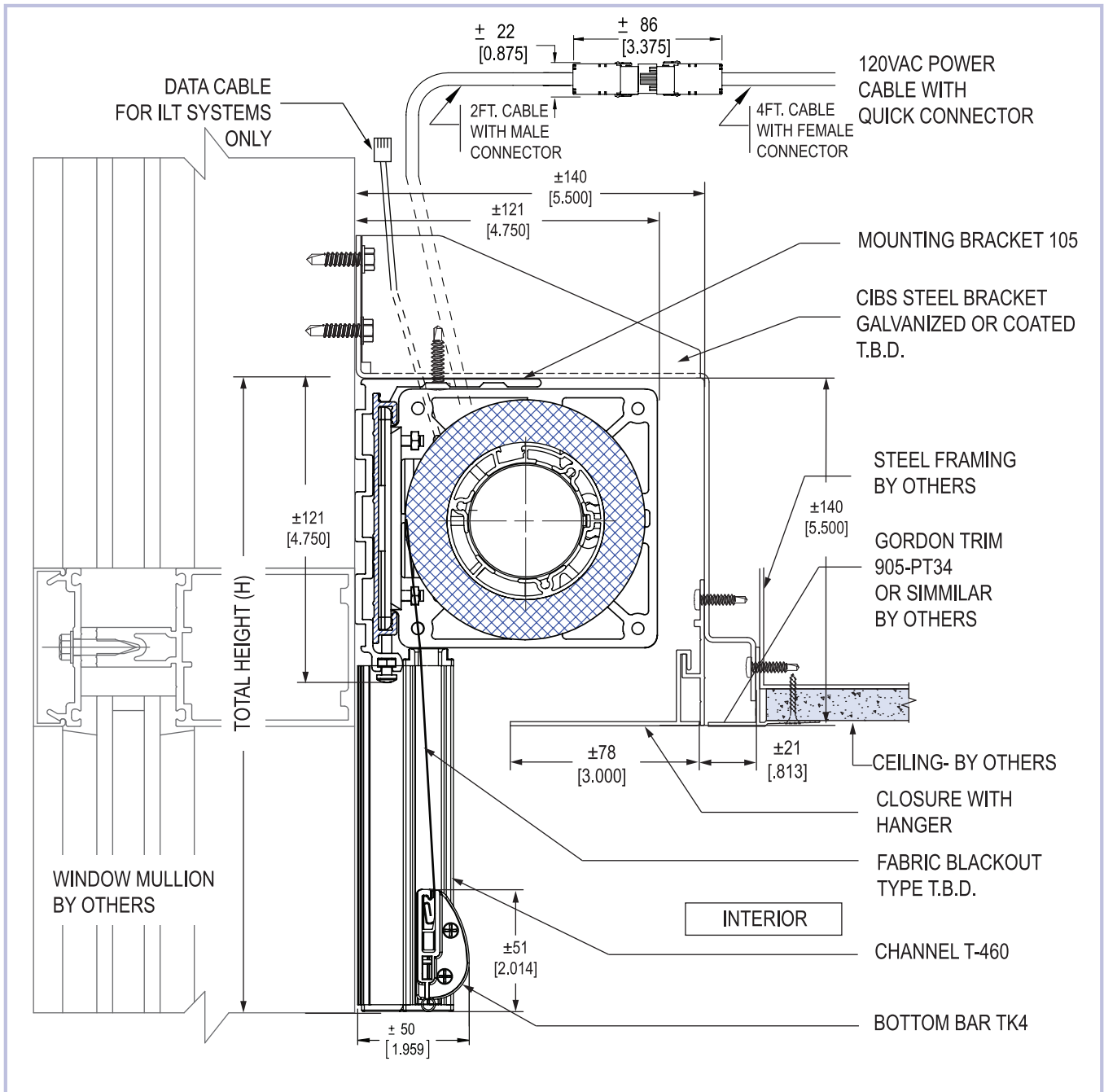
MONTREAL T: 800.363.5930 @: info@altex.ca	TORONTO T: 888.836.6980 @: sales@altex.ca	VANCOUVER T: 888.980.9899 @: servicewest@altex.ca
-------------------------------------------------	-------------------------------------------------	---------------------------------------------------------

MDL3-EM63-105-UQM50/E50-PKT

WITHOUT FASCIA 105



**MODULINE[®] ELEKTRA 105 MOTOR OPERATED 120VAC
CIBS BRACKET APPLICATION WITH T-460 CHANNEL**



NOTES:

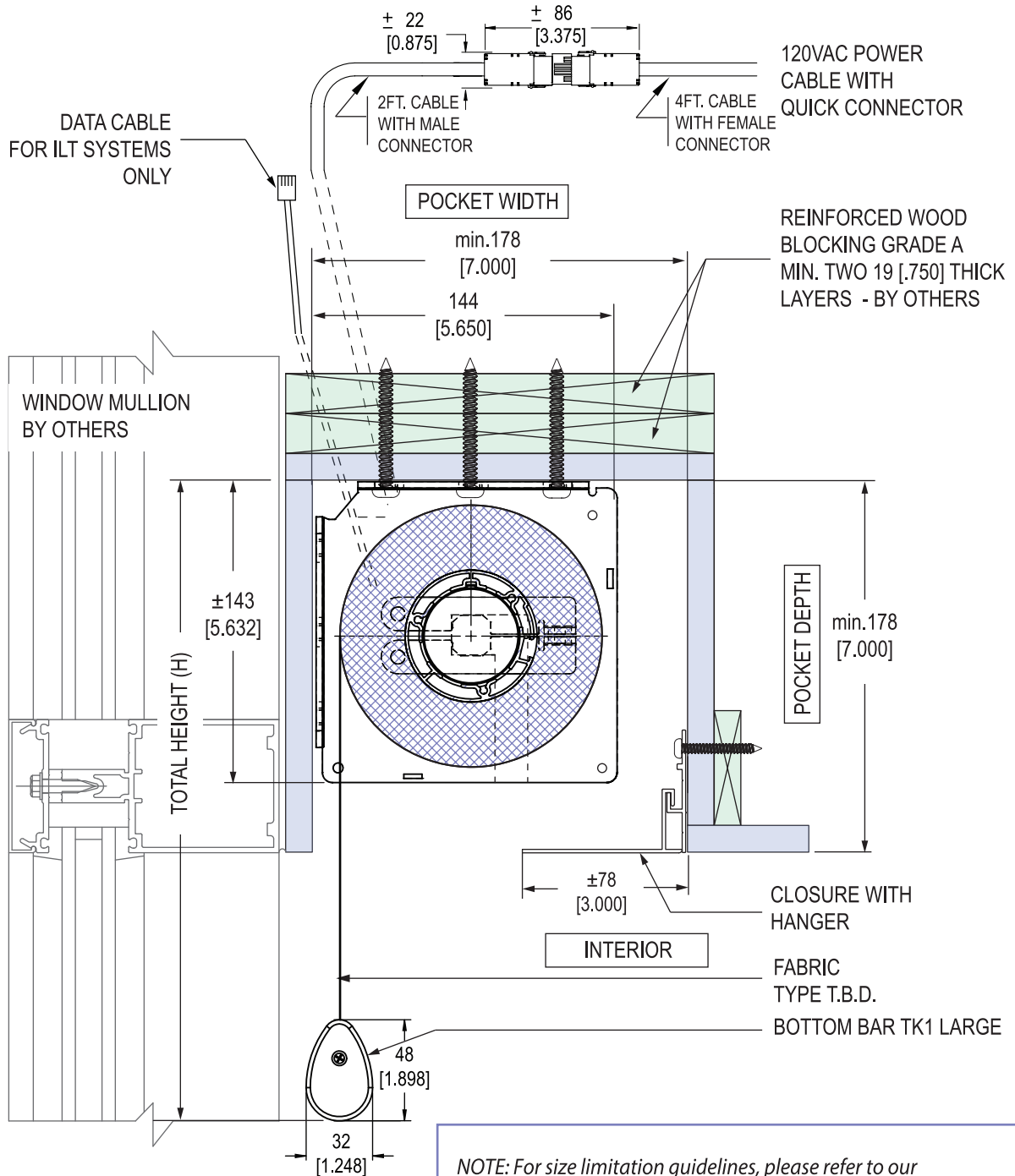
- 1) CEILING AND FRAMING SHOWN CONCEPTUAL - BY OTHERS.
- 2) DRAWING SHOWN FOR REFERENCE. CONTACT TECH. DEPT. FOR SITE SPECIFIC DRAWINGS
- 3) CABLE ROUTING MUST BE DETERMINED PRIOR SHADE INSTALLATION. COORDINATE WITH TECH. DEPT.
- 4) 120VAC POWER AND DATA WIRING BY OTHERS

NOTE: For size limitation guidelines, please refer to our Size Limitation Detail Sheets or contact our Technical Department.

MONTREAL T: 800.363.5930 @: info@altex.ca	TORONTO T: 888.836.6980 @: sales@altex.ca	VANCOUVER T: 888.980.9899 @: servicewest@altex.ca
-------------------------------------------------	-------------------------------------------------	---------------------------------------------------------

MDL4-EM63-105-UQM50/E50-CIBS

WITHOUT FASCIA 105



NOTES:

- 1) POCKET SHOWN CONCEPTUAL. POCKET - BY OTHERS.
- 2) DRAWING SHOWN FOR REFERENCE. CONTACT TECH. DEPT. FOR SITE SPECIFIC DRAWINGS
- 3) CABLE ROUTING MUST BE DETERMINED PRIOR SHADE INSTALLATION. COORDINATE WITH TECH. DEPT.
- 4) 120VAC AND DATA WIRING - BY OTHERS

NOTE: For size limitation guidelines, please refer to our Size Limitation Detail Sheets or contact our Technical Department.

MONTREAL

T: 800.363.5930

@: info@altex.ca

TORONTO

T: 888.836.6980

@: sales@altex.ca

VANCOUVER

T: 888.980.9899

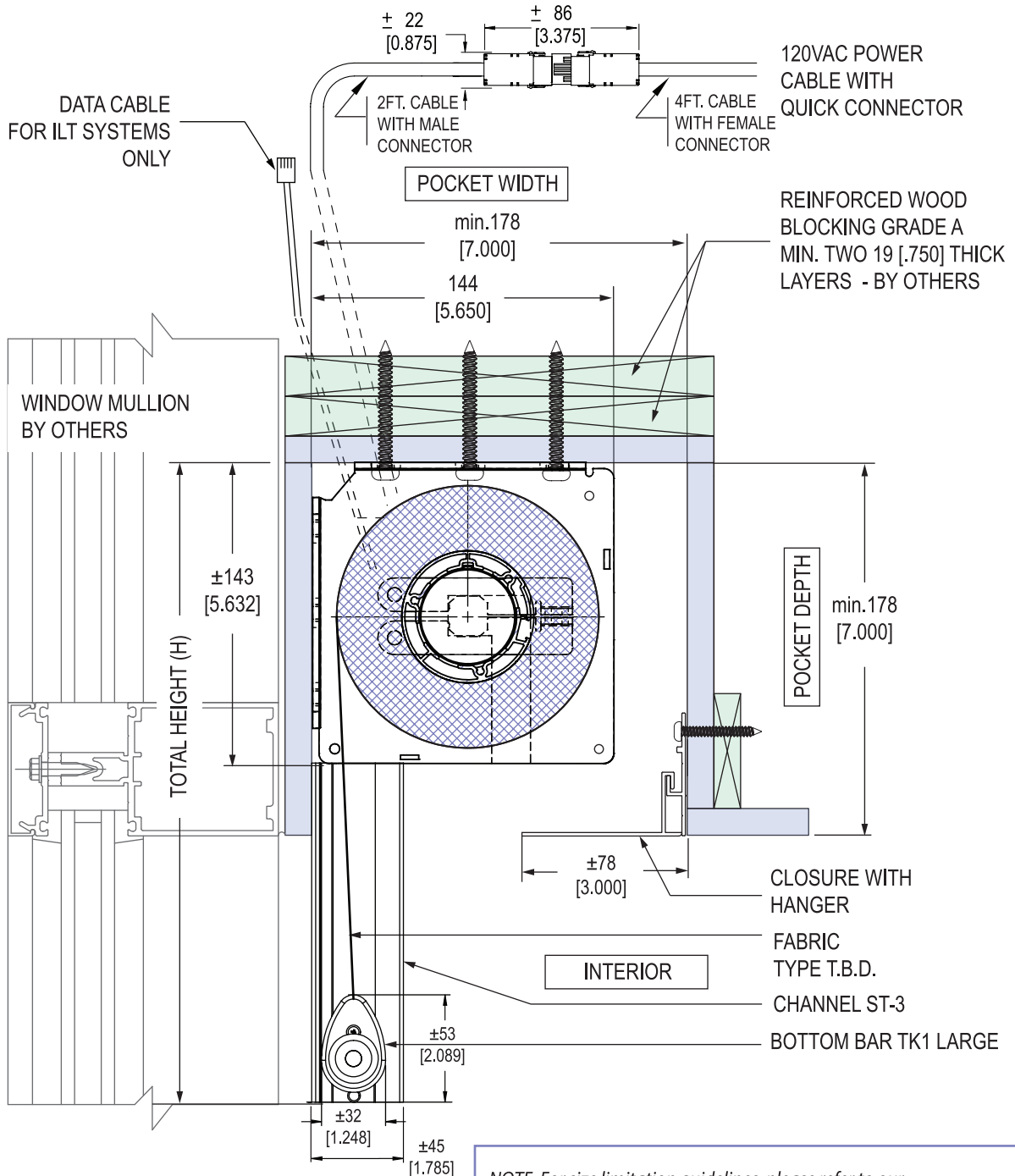
@: servicewest@altex.ca

MDL1-EM-140-UQM50/E50-PKT

WITHOUT FASCIA 140



**MODULINE[®] ELEKTRA 140 MOTOR OPERATED 120VAC
RECESSED APPLICATION WITH CHANNEL ST-3**



NOTES:

- 1) POCKET SHOWN CONCEPTUAL. POCKET - BY OTHERS.
- 2) DRAWING SHOWN FOR REFERENCE. CONTACT TECH. DEPT. FOR SITE SPECIFIC DRAWINGS
- 3) CABLE ROUTING MUST BE DETERMINED PRIOR SHADE INSTALLATION. COORDINATE WITH TECH. DEPT.
- 4) 120VAC AND DATA WIRING - BY OTHERS

NOTE: For size limitation guidelines, please refer to our Size Limitation Detail Sheets or contact our Technical Department.

MONTREAL T: 800.363.5930 @: info@altex.ca	TORONTO T: 888.836.6980 @: sales@altex.ca	VANCOUVER T: 888.980.9899 @: servicewest@altex.ca
-------------------------------------------------	-------------------------------------------------	---------------------------------------------------------

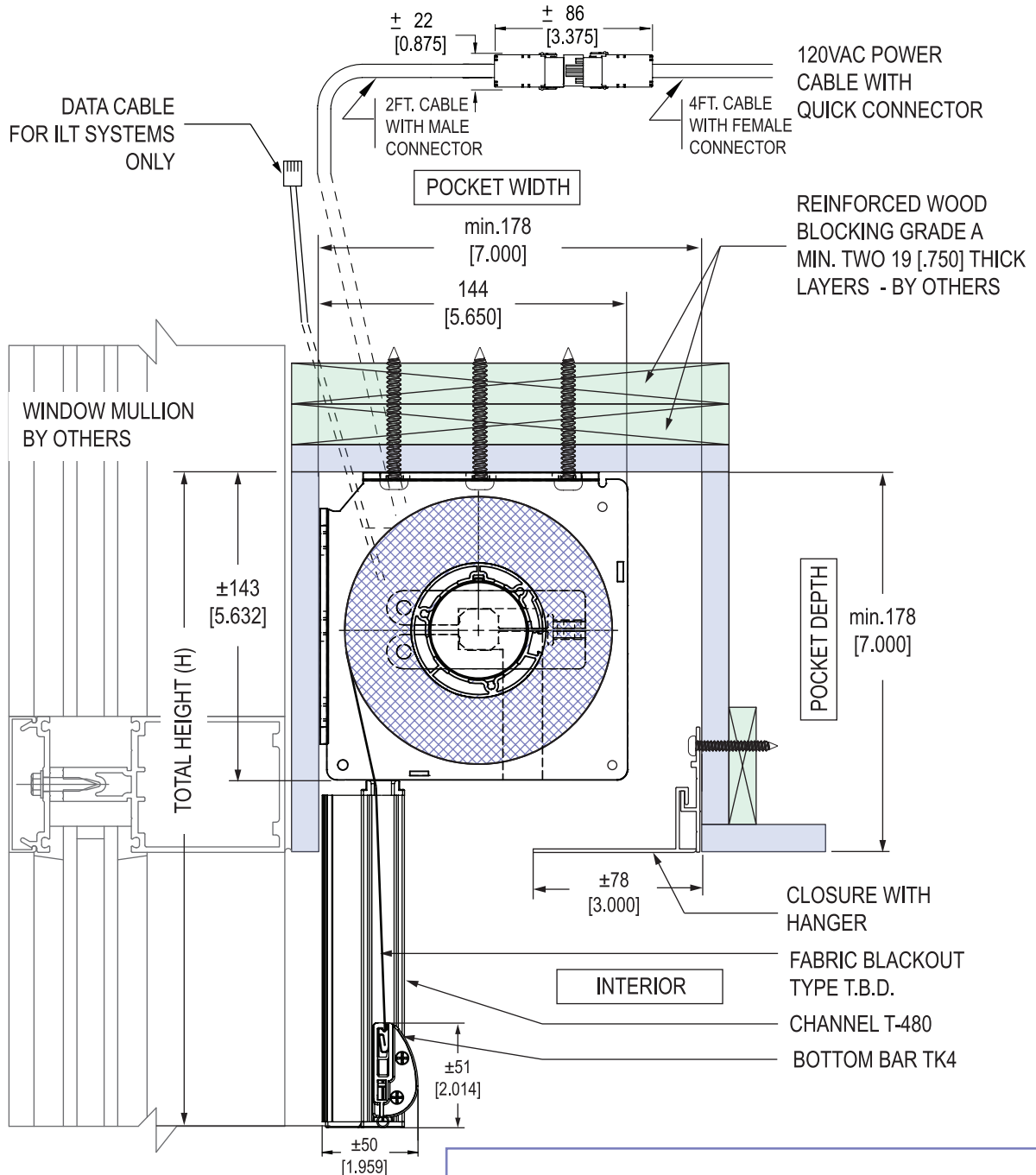
MDL3-EM-140-UQM50/E50-PKT

WITHOUT FASCIA 140



ALTEX[®]
SunProject™
line of products

MODULINE[®] ELEKTRA 140 MOTOR OPERATED 120VAC RECESSED APPLICATION WITH CHANNEL T-480



NOTES:

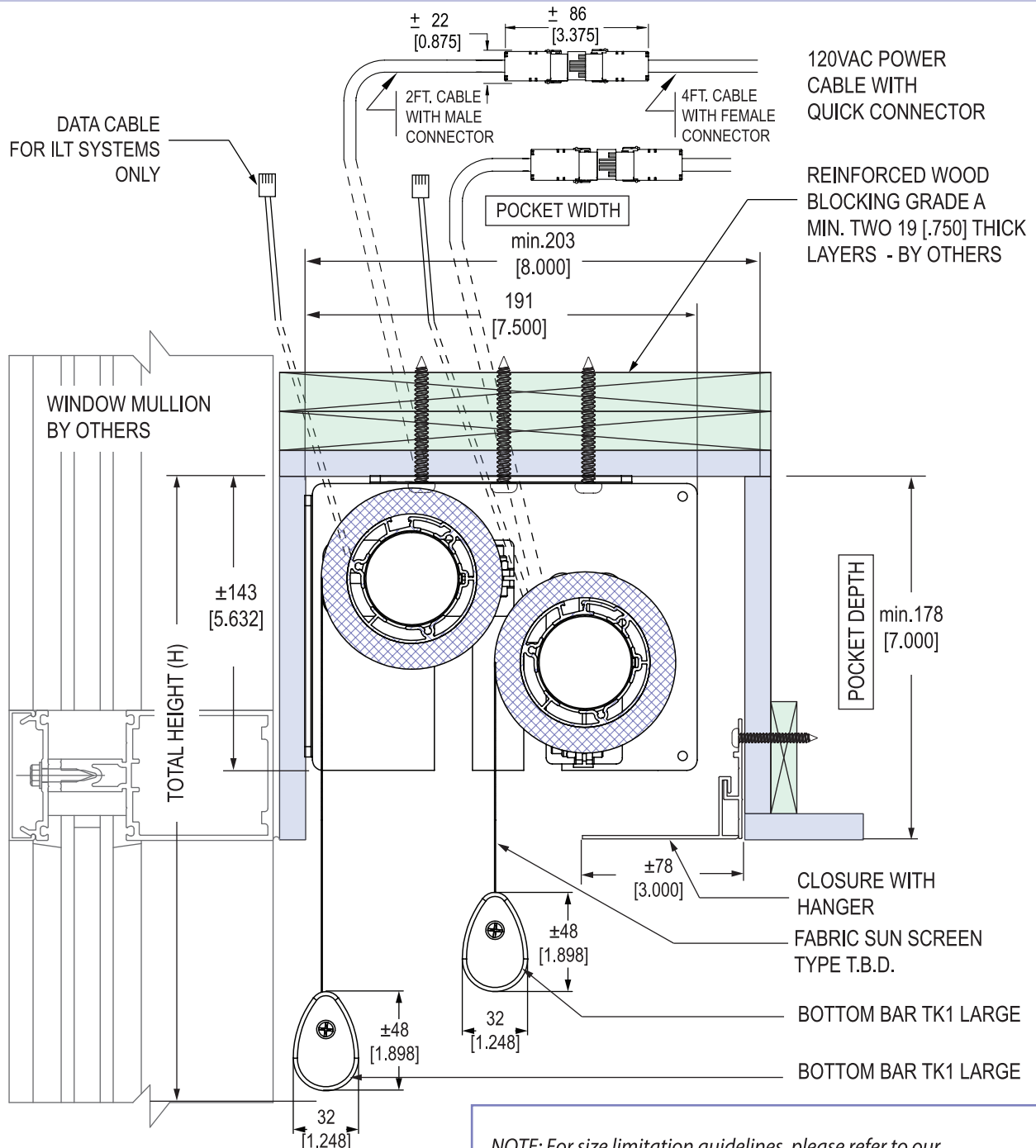
- 1) POCKET SHOWN CONCEPTUAL. POCKET - BY OTHERS.
- 2) DRAWING SHOWN FOR REFERENCE. CONTACT TECH. DEPT. FOR SITE SPECIFIC DRAWINGS
- 3) CABLE ROUTING MUST BE DETERMINED PRIOR SHADE INSTALLATION. COORDINATE WITH TECH. DEPT.
- 4) 120VAC AND DATA WIRING - BY OTHERS

NOTE: For size limitation guidelines, please refer to our Size Limitation Detail Sheets or contact our Technical Department.

MONTREAL T: 800.363.5930 @: info@altex.ca	TORONTO T: 888.836.6980 @: sales@altex.ca	VANCOUVER T: 888.980.9899 @: servicewest@altex.ca
-------------------------------------------------	-------------------------------------------------	---------------------------------------------------------

MDL4-EM-140-UQM50/E50-PKT

WITHOUT FASCIA 140



NOTES:

- 1) POCKET SHOWN CONCEPTUAL. POCKET - BY OTHERS.
- 2) DRAWING SHOWN FOR REFERENCE. CONTACT TECH. DEPT. FOR SITE SPECIFIC DRAWINGS
- 3) CABLE ROUTING MUST BE DETERMINED PRIOR SHADE INSTALLATION. COORDINATE WITH TECH. DEPT.
- 4) 120VAC AND DATA WIRING - BY OTHERS

NOTE: For size limitation guidelines, please refer to our Size Limitation Detail Sheets or contact our Technical Department.

MONTREAL T: 800.363.5930 @: info@altex.ca	TORONTO T: 888.836.6980 @: sales@altex.ca	VANCOUVER T: 888.980.9899 @: servicewest@altex.ca
-------------------------------------------------	-------------------------------------------------	---------------------------------------------------------

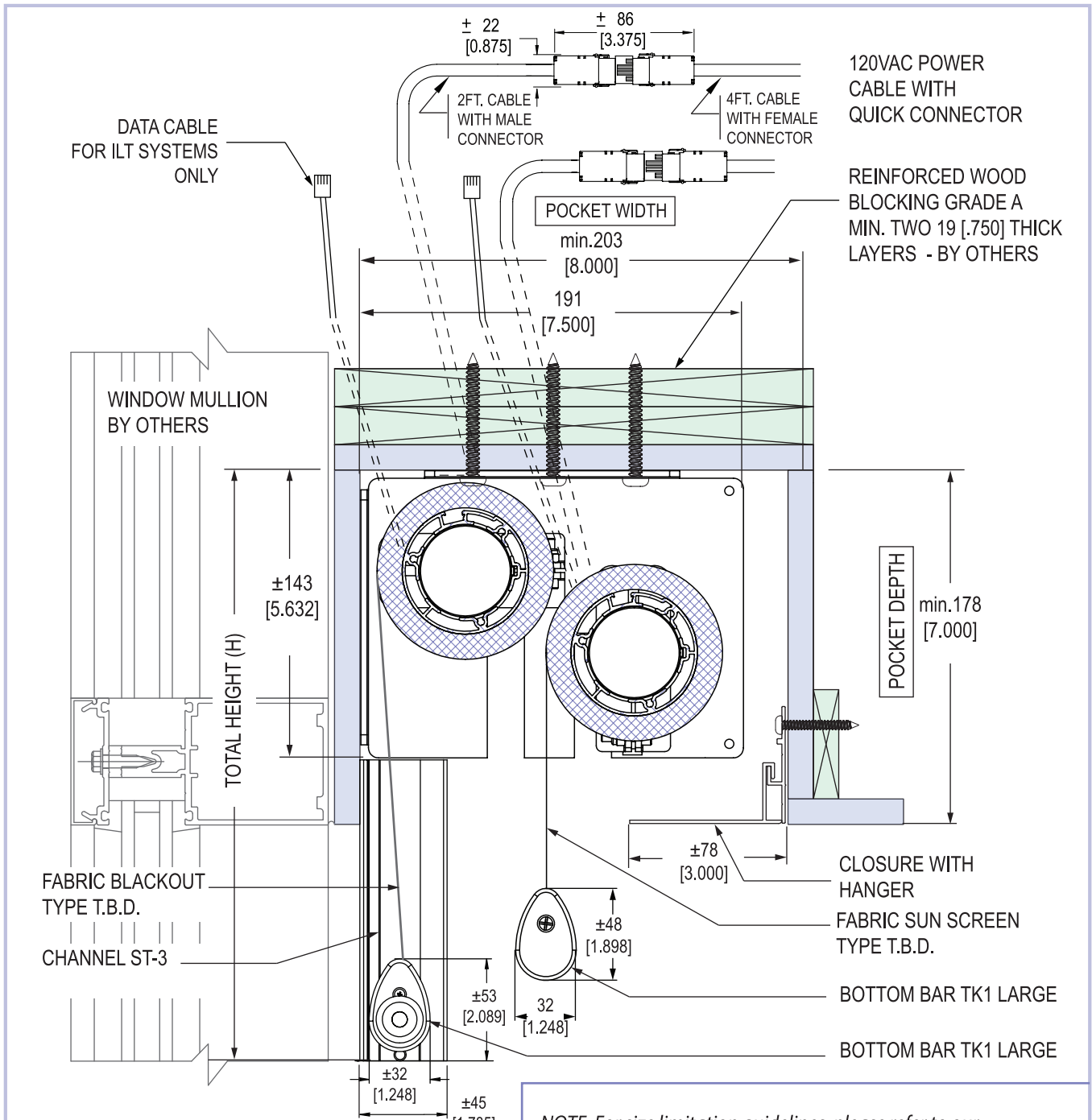
DUAL MDL11-EM-140-UQM50/E50-PKT

WITHOUT FASCIA 140



ALTEX[®]
SunProject™
line of products

DUAL MODULINE[®] ELEKTRA 140 MOTOR OPERATED 120VAC RECESSED APPLICATION WITH CHANNEL ST-3



- NOTES:
- 1) POCKET SHOWN CONCEPTUAL. POCKET - BY OTHERS.
 - 2) DRAWING SHOWN FOR REFERENCE. CONTACT TECH. DEPT. FOR SITE SPECIFIC DRAWINGS
 - 3) CABLE ROUTING MUST BE DETERMINED PRIOR SHADE INSTALLATION. COORDINATE WITH TECH. DEPT.
 - 4) 120VAC AND DATA WIRING - BY OTHERS

NOTE: For size limitation guidelines, please refer to our Size Limitation Detail Sheets or contact our Technical Department.

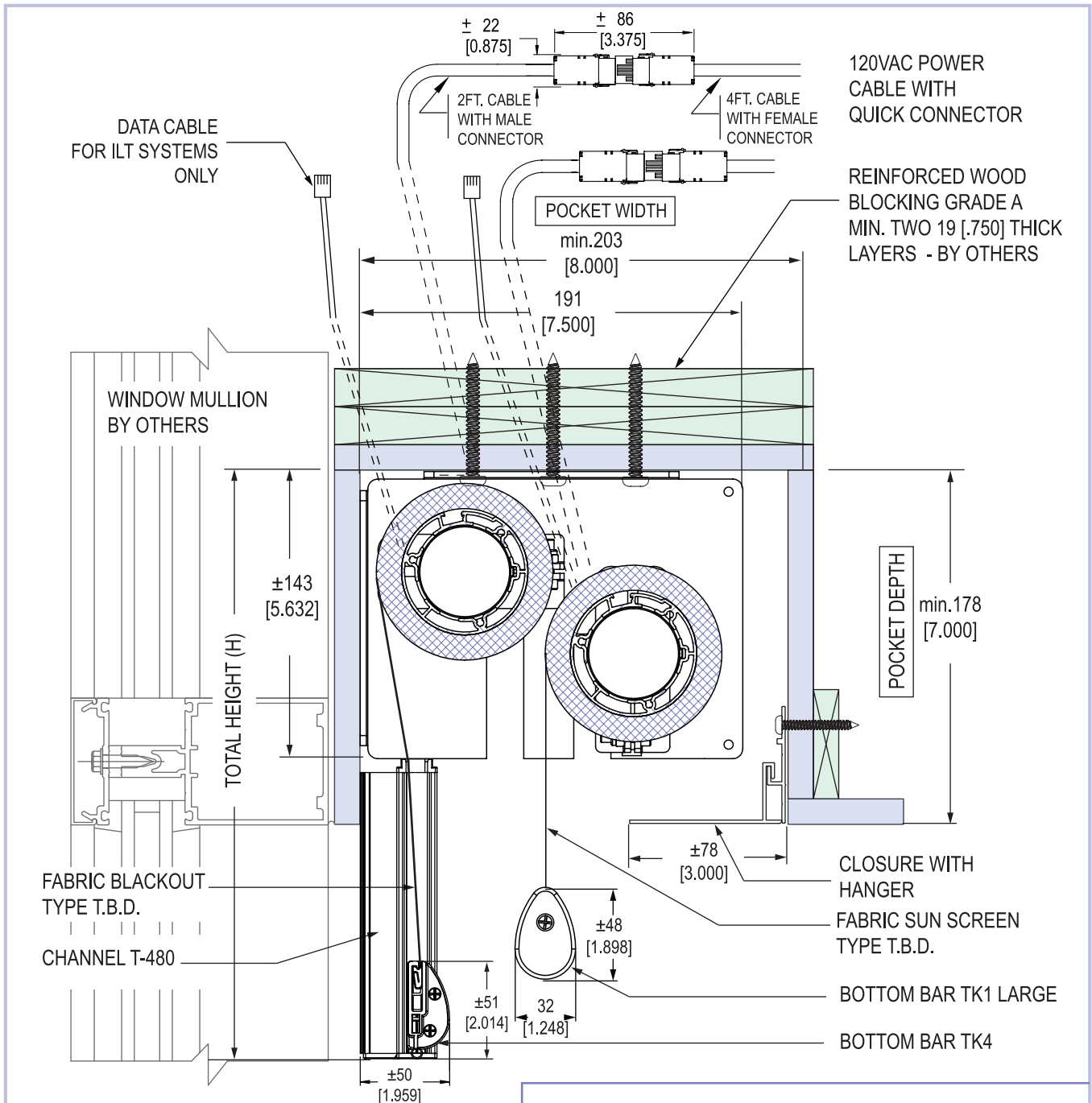
MONTREAL T: 800.363.5930 @: info@altex.ca	TORONTO T: 888.836.6980 @: sales@altex.ca	VANCOUVER T: 888.980.9899 @: servicewest@altex.ca
-------------------------------------------------	-------------------------------------------------	---------------------------------------------------------

DUAL MDL31-EM-140-UQM50/E50-PKT WITHOUT FASCIA 140



ALTEX[®]
SunProject™
line of products

DUAL MODULINE[®] ELEKTRA 140 MOTOR OPERATED 120VAC RECESSED APPLICATION WITH CHANNEL T-480



NOTES:

- 1) POCKET SHOWN CONCEPTUAL. POCKET - BY OTHERS.
- 2) DRAWING SHOWN FOR REFERENCE. CONTACT TECH. DEPT. FOR SITE SPECIFIC DRAWINGS
- 3) CABLE ROUTING MUST BE DETERMINED PRIOR SHADE INSTALLATION. COORDINATE WITH TECH. DEPT.
- 4) 120VAC AND DATA WIRING - BY OTHERS

NOTE: For size limitation guidelines, please refer to our Size Limitation Detail Sheets or contact our Technical Department.

MONTREAL T: 800.363.5930 @: info@altex.ca	TORONTO T: 888.836.6980 @: sales@altex.ca	VANCOUVER T: 888.980.9899 @: servicewest@altex.ca
-------------------------------------------------	-------------------------------------------------	---------------------------------------------------------

DUAL MDL41-EM-140-UQM50/E50-PKT

WITHOUT FASCIA 140



ALTEX[®]

SunProject[™]
line of products

MONTREAL

3530, boul. des Entreprises

Terrebonne (Québec)

Canada J6X 4J8

Phone: 450-968-0880

Toll free: 800-363-5930

TORONTO

500 Applewood Crescent

Vaughan, Ontario

Canada L4K 4B4

Phone: 905-660-3117

Toll free: 888-836-6980

VANCOUVER

1160-21331 Gordon Way

Richmond, British Columbia

Canada V6W 1J9

Phone: 604-980-9899

Toll free: 888-980-9899