

### Fitting the Blinds

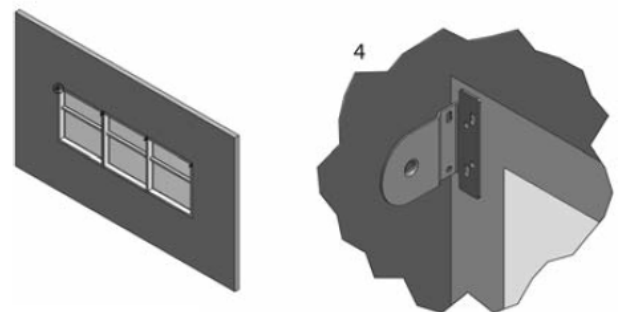
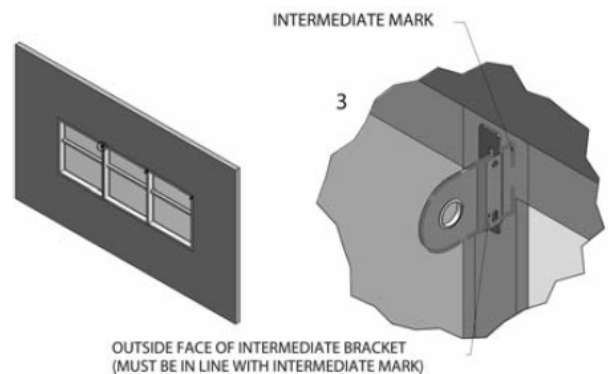
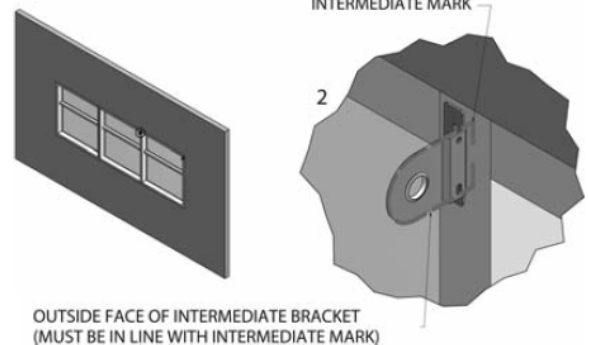
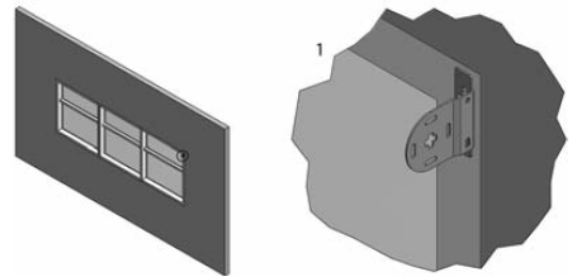
Important – The following procedure is for a right-hand control scenario

1) Starting at the control end side, place and secure a control end bracket at the measurement taken.

2) Place a intermediate bracket at the intermediate point, ensuring the outside face of the intermediate bracket lines up accordingly.

3) Repeat Step 2 for next intermediate blinds.

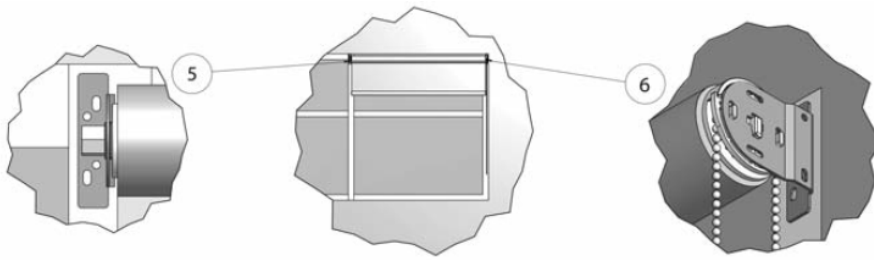
4) Locate and secure a standard Idle end bracket for the last blind



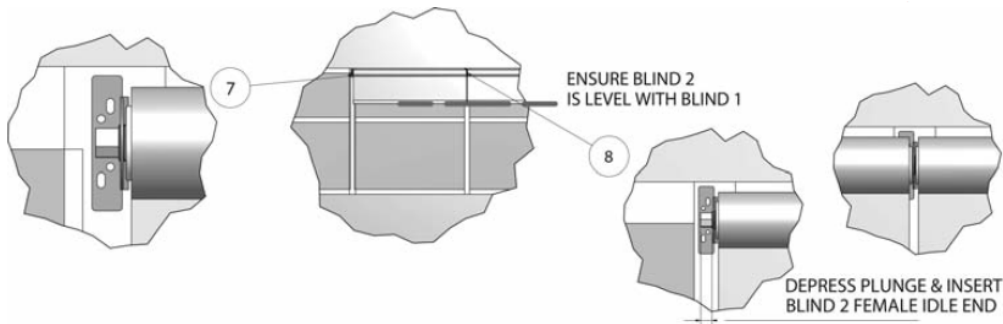
*Thank you for shopping at Covers.*

For further information, please access our website at [www.coverscanada.ca](http://www.coverscanada.ca) or contact our office.

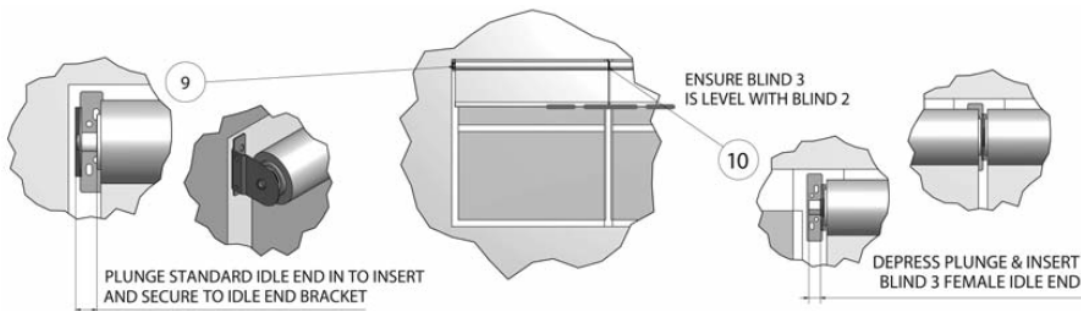
Covers Canada Inc.  
1695 Wonderland Rd. N.  
London, Ontario N6G 4W3  
(519)471-7818



- 5) Insert male idle end plug through the intermediate bracket
- 6) Locate, Insert and secure control end



- 7) Insert male idle end plug through the intermediate bracket
- 8) Depress the male idle end plug of Blind 1 and then locate and secure Blind 2's female idle end plug



- 9) Depress idle end plunger into the idle end bracket
- 10) Depress the male idle end plug and locate and secure into blind

*Thank you for shopping at Covers.*

For further information, please access our website at [www.coverscanada.ca](http://www.coverscanada.ca) or contact our office.

Covers Canada Inc.  
1695 Wonderland Rd. N.  
London, Ontario N6G 4W3  
(519)471-7818