

Attach the Brackets

Installing the end brackets: Determine where to attach each bracket. For outside mounting, position the bracket on the window frame or wall and attach with the proper fasteners. For inside mounting, position the top of the bracket against inside surface of the window frame and fasten by screwing in screws through top holes in bracket. Each end bracket uses two screws. The screws mounted diagonally. Make sure end brackets are level.

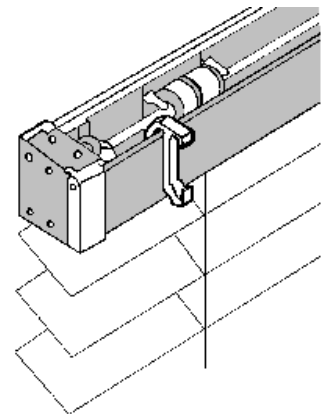


screws in the back for an outside mount.

Installing support brackets (where supplied): Centre the support bracket between the two end brackets. Keep the top and back of each support bracket level and aligned with tops and backs of the end brackets. If more than one support bracket is used, space the support brackets evenly across the width of the headrail. Insert screws in the top for an inside mount; insert

Install the Headrail

Slide the headrail into the end brackets and centre support. Then close end bracket covers until they click into place.



Install Valance

Your blind includes a valance. Position one valance clip at each end of the headrail, and evenly space any additional clips across the width of the headrail.

Thank you for shopping at Covers.

For further information, please access our website at www.coverscanada.ca or contact our office.

Covers Canada Inc.
1695 Wonderland Rd. N.
London, Ontario N6G 4W3
(519)471-7818