

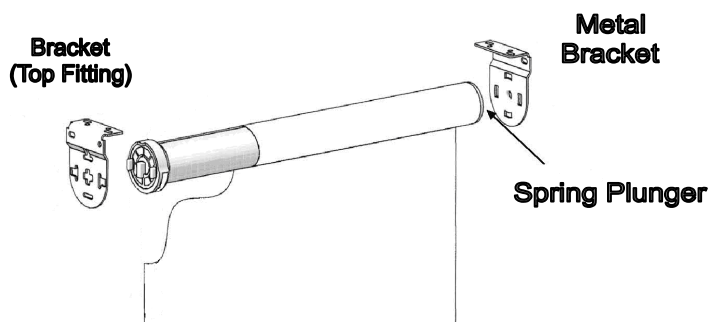
Fitting the Brackets

Brackets can be fixed to any flat surface above or behind the blind. Check that the rolled up fabric will not touch any surface. To calculate the spacing between the brackets, add 35mm (1 3/8") to the width of the blind fabric. Fix the brackets so that the outsides of the brackets are this distance apart.

TIP: In the interests of child safety, it is advisable to keep all pull cords as short as possible to keep them out of the reach of children.

Fitting the Blind

Make sure that the blind fabric is completely rolled onto the roller. Fit the spring plunger end (idle end) into the right hand bracket. Push the blind to the right to depress the spring plunger. Clip the blind into the left hand bracket (control end). Making sure that the locking pin is facing forward, pull out the locking pin. The blind is ready for use.

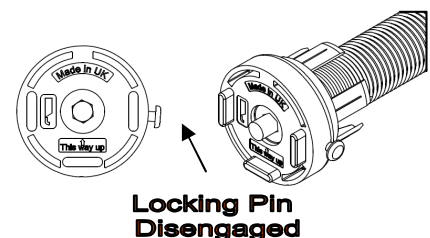
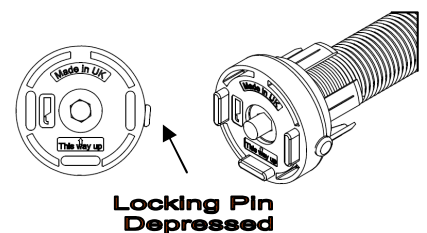


TIP: The centre pull blind will only work with the control side on the left and the idle end (plunger) on the right. The locking pin is set at the factory in the depressed (engaged) position. This prevents the rotating body of the assembly from spinning and losing tension.

Tensioning the Spring

The tension will be set at the factory. If the fabric does not wind up completely when the blind is operated greater spring tension can be applied as follows:

- Pull the blind down 250mm (10") from its uppermost position and lock off. Depress the locking pin.
- Remove the blind from the brackets and roll the material, by hand, back onto the roller.



Thank you for shopping at Covers.

For further information, please access our website at www.coverscanada.ca or contact our office.

Covers Canada Inc.
1695 Wonderland Rd. N.
London, Ontario N6G 4W3
(519)471-7818

- c. Replace the blind into the brackets. Pull out locking pin to disengage.
- d. In the unlikely event that the tension is still insufficient, repeats steps a – c.

Adjusting the Level of the Bottom of the Blind

If two blinds are fitted side by side and the bottoms cannot be positioned at the same level, the level of the bottom bar of either one of the blinds may be altered as follows:

- a. Make sure the locking pin is depressed. With the fabric completely wrapped around the roller, carefully remove the blind from the brackets.
- b. Take the spring return mechanism, and gently pull it 25mm (1”) out of the tube, ensuring that the spring does not uncoil.
- c. Rotate the mechanism to the next position and replace it in the tube.
- d. Replace the blind in its brackets ensuring that the locating spigot is located to the lowest slot in the brackets. Adjust the level of the bottom of the blind. Disengage the locking pin.
- e. If necessary, re-adjust the same blind, always rotating the mechanism in the same direction as before. This step can be carried out up to four times, giving a total of five steps in all.

Where there are more than two blinds together, adjust the level of the second blind to the level of the first blind, the level of the third blind to the second, and so forth, until all the blinds are aligned.

Thank you for shopping at Covers.

For further information, please access our website at www.coverscanada.ca or contact our office.

Covers Canada Inc.
1695 Wonderland Rd. N.
London, Ontario N6G 4W3
(519)471-7818