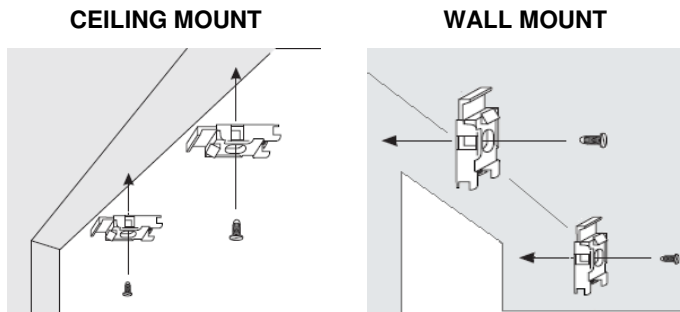


## Cordless Assist Roller INSTALLATION INSTRUCTIONS

### Mounting the Brackets

Measure 1 ½ - 3" in from the ends of the mounting profile and mark the bracket locations on the mounting surface. If more than two installation brackets are required for your shade, make additional marks to space the other bracket(s) evenly between the two end brackets. Adjust the bracket placement to gain clearance to avoid any obstructions, such as window cranks or handles.

Center an installation bracket on each mark. Then mark where to drill pilot holes for the mounting screws. With inside mounts, allow ½" clearance behind the brackets for installation.



**TIP:** The installation brackets must be mounted level to operate properly. If you are fastening the mounting brackets to drywall, be sure to use wall anchors and follow the instructions provided with the anchors.

Fasten the installation brackets to the mounting surface.

### Install the shade

#### Standard Installation

The groove on the top of the mounting profile fits into the hooks on the installation brackets.

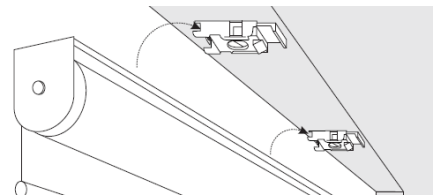
Install the shade into the installation brackets.

Hold the shade so the bottom bar fabric side faces you.

Hook the back groove of the mounting profile into the hooks of the installation brackets.

Rotate the mounting profile toward the white tabs of the installation brackets.

Push the set bar until tabs lock into place. You will hear a loud click when each bracket is securely in place.



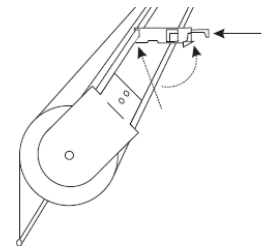
#### Operate the Shade

##### Lowering the Shade

Pull down and release. The shade stops where released.

##### Raising the Shade

Pull the shade down about an inch and release. The shade rises and stops.



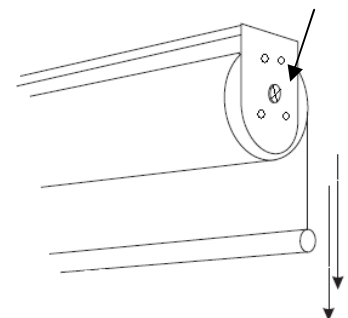
### Shade Adjustment

#### Stop Height Adjustment

The shade is preset in the 'up' position to have the bottom rail exposed only. If you wish to have the roller blind stop in the 'up' position at a lower height, follow the next steps:

1. Completely roll up the shade.
2. Turn the dial at the right end of the shade clockwise.
3. The shade will begin to lower.
4. Stop when it reaches the desired height. This will reset the 'up' position.

Turn Clockwise to lower



*Thank you for shopping at Covers.*

For further information, please access our website at [www.coverscanada.ca](http://www.coverscanada.ca) or contact our office.

Covers Canada Inc.  
1695 Wonderland Rd. N.  
London, Ontario N6G 4W3  
(519)471-7818